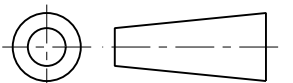


DO NOT SCALE

DIMENSIONS IN mm

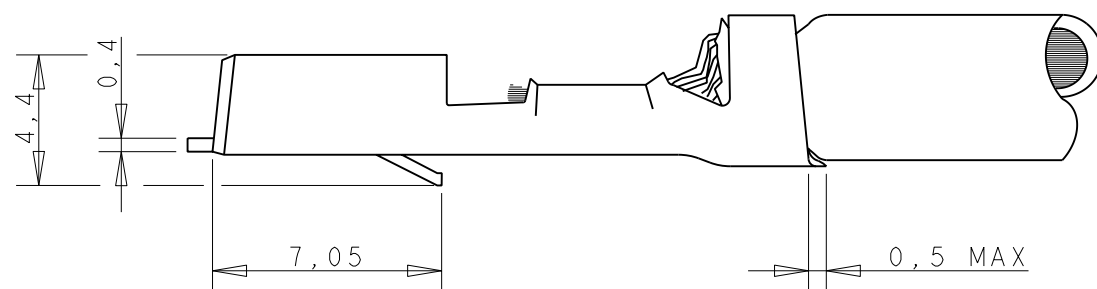
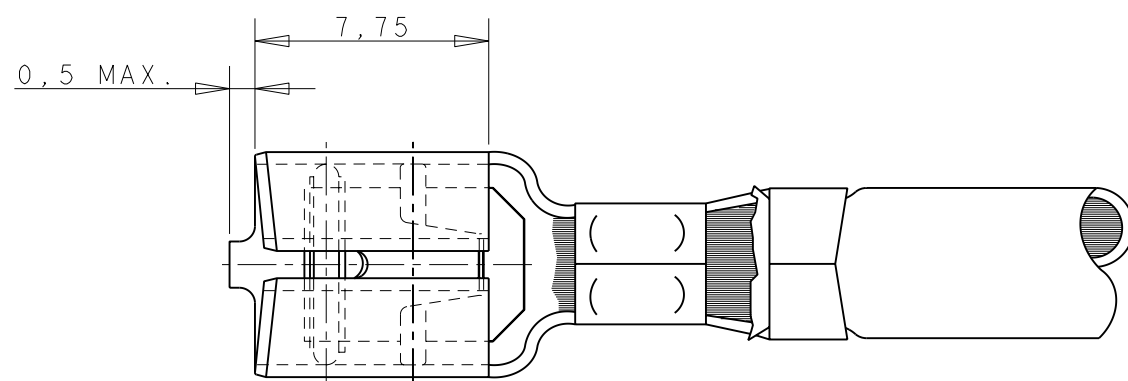
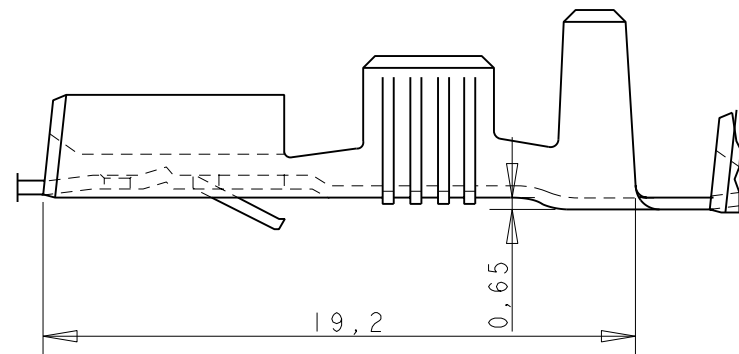
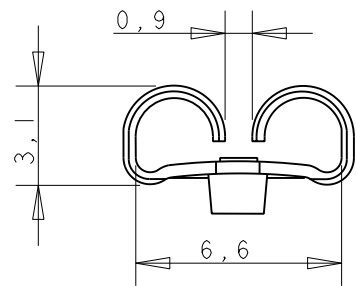
METRIC

THIRD ANGLE
PROJECTION



NOTES:

- 1 FOR USE ON MINIATURE APPLICATORS (LEFT-RIGHT FEED) AND STANDARD APPLICATORS (RIGHT-LEFT FEED).
- 2 REELED WITH PAPER COVER.
- 3 SPLICE FREE CODE 115-10003.1
- 4 OBSOLETE PARTS: OBSOLETE CIS STREAMLINING PER D.RENAUD/D.SINISI



GENERAL TOLERANCES ±0.3

WIRE RANGE :
>2,5-4,0 mm²
INSULATION RANGE :
3,3-4,5 DIA.

| | | | | |
|---------------|---|---------------|-----------|------------|
| 4 OBSOLETE | 1 | PRE-TINPLATED | PH.BRONZE | 6-160913-8 |
| | 1 | PRE-TINPLATED | BRASS | 6-160913-7 |
| | 1 | TINPLATED | PH.BRONZE | 160913-4 |
| | 3 | UNPLATED | PH.BRONZE | 160913-3 |
| | 1 | TINPLATED | BRASS | 160913-2 |
| | 1 | UNPLATED | BRASS | 160913-1 |

| | NOTES | FINISH | | | MATERIAL | PARTNUMBER |
|-------|-----------------|--------|----------|------------|---|------------|
| E2 | ECO-09-025699 | KK | AEG | 18DEC09 | CUSTOMER DRAWING FOR REFERENCE ONLY WILL NOT BE UPDATED | |
| E1 | 4,4 was 4,1 | J.L | J.L | 77JUL/2006 | © COPYRIGHT 19- BY AMP HOLLAND B.V. ALL INTERNATIONAL RIGHTS RESERVED.AMP PRODUCTS MAY BE COVERED BY U.S. AND FOREIGN AND/OR PATENTS PENDING. | |
| E | ES00-0008-03 | JL | JL | 17JAN03 | THIS DRAWING IS UNPUBLISHED RELEASED FOR PUBLICATION | |
| D | ES00-0065-01 | JC | JL | 19JUN01 | | |
| C | ES00-0043-01 | JC | RS | 2MAY01 | Tyco Electronics Tyco Electronics Corporation Barcelona, Spain | |
| B | EH-1045-97 | D.K. | R.V. | 26 SEP 97 | NAME | |
| A | EH-0168-94 | DK | PB | 21-06-94 | .250 SRS FASTIN-ON RECEPTACLE | |
| LTR. | REVISION RECORD | DR. | CHK. | DATE | | |
| DR.: | L.v.d.HEIJDEN | CHK.: | A.BIJNEN | APP.: | L.v.SOEST | DWG.No. |
| DATE: | 02-07-87 | DATE: | 10-08-87 | DATE: | 24-08-87 | 160913 |
| | | | | | | REV.LTR. |
| | | | | | | E2 |
| | | | | | | SHEET |
| | | | | | | 1 OF 1 |
| | | | | | | A3 |

单击下面可查看定价，库存，交付和生命周期等信息

[>>TE Connectivity\(泰科\)](#)