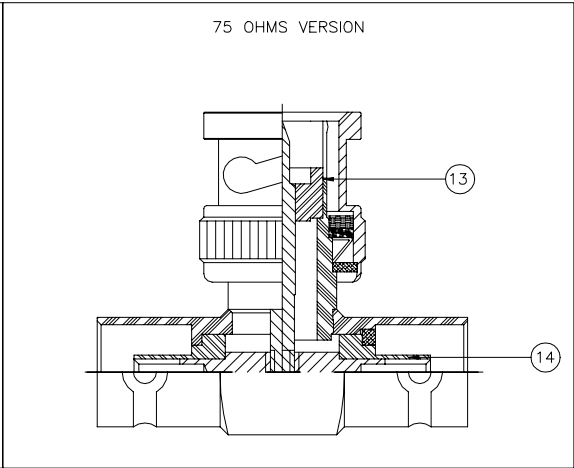
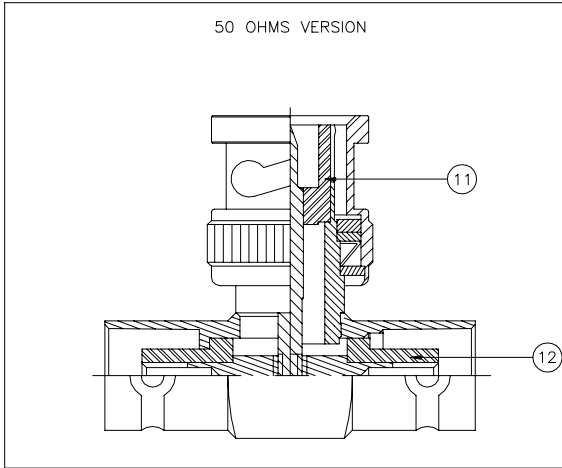
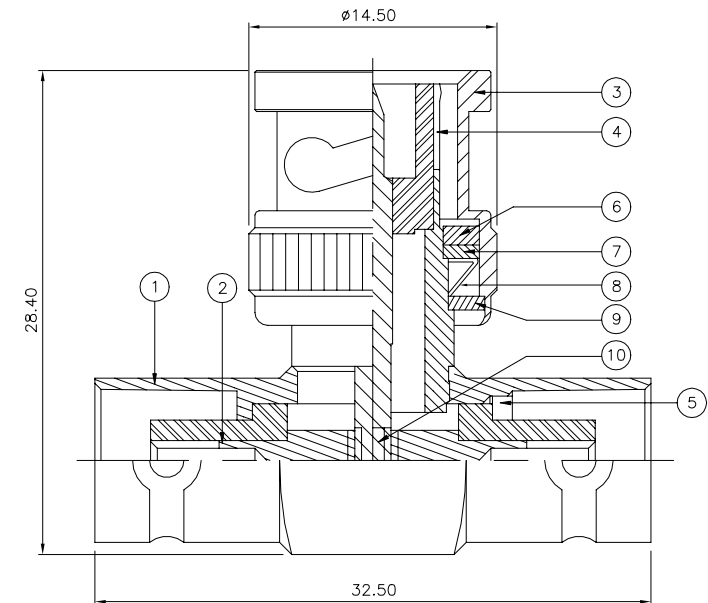


NOTES:

- 1 PACK IN ACCORDANCE WITH AMP SPEC 107-3275
- 2 100 TRAY PACK IN ACCORDANCE WITH AMP SPEC 107-3275
- 3 Au PLATING
- 4 Ni PLATING
- 5 THIS ITEM MUST BE WHITE
- 6 ELECTRICAL CHARACTERISTICS
 FREQUENCY RANGE (50 Ohms): DC - 4 GHz
 FREQUENCY RANGE (75 Ohms): DC - 2 GHz
 NOMINAL IMPEDANCE: 50 Ohm or 75 Ohm
 INSULATION RESISTANCE: 5000 MOhm
 WORKING VOLTAGE: 500 Volts RMS at Sea Level
 DIELECTRIC WITHSTAND VOLTAGE: 1500 Volts RMS Max
 CONTACT RESISTANCE:
 CENTRE CONTACT: 1.50 mOhm Max
 OUTER CONTACT: 0.20 mOhm Max
 VSWR @ xGHz: N/A
 INSERTION LOSS xdb: N/A
- 7 MECHANICAL CHARACTERISTICS
 COUPLING RETENTION FORCE: 445N Min
 CABLE RETENTION FORCE: N/A
 DURABILITY: 500 Cycles Min
- 8 ENVIRONMENTAL CHARACTERISTICS
 OPERATING TEMPERATURE: -65 to +165 DegC

REVISIONS					
P	LTR	DESCRIPTION	DATE	DWN	APVD
	D1	REVISED PER ECO-20-016530	23NOV2020	RZ	RS



QTY	PLC	PLC	PLC	PLC	MATERIAL	DESCRIPTION	ITEM
2	2	-	-		PTFE	INSULATION	14
1		-	-		PTFE	INSULATION	13
-	-	2	2		PTFE	INSULATION	12
-	-	1			PTFE	INSULATION	11
1		1			BRASS	CONTACT II	10
1		1			BRASS	WASHER	9
1		1			SPRING STEEL	SPRING	8
1		1			BRASS	RETAINING RING	7
1		1			SILICON RUBBER	GASKET	6
1		1			BRASS	SLEEVE	5
1		1			BRASS	BODY 2	4
1		1			BRASS	SHELL	3
1		1			BRASS	CONTACT I	2
1		1			BRASS	BODY 1	1
6--1	1--1	6--0	1--0		MATERIAL	DESCRIPTION	ITEM
				QUANTITY PER ASSY	PARTS LIST		

THIS DRAWING IS A CONTROLLED DOCUMENT.		DWN J.SANDWELL 14DEC05	TE Connectivity	
DIMENSIONS: mm		CHK S.PARLOW 14DEC05		
TOLERANCES UNLESS OTHERWISE SPECIFIED:		APVD F.WHEELER-KING 14DEC05	NAME BNC TEE ADAPTOR J-P-J 50 OHM AND 75 OHM VERSIONS	
0 PLC ± - 1 PLC ± - 2 PLC ± - 3 PLC ± - 4 PLC ± - ANGLES ± -		PRODUCT SPEC	SIZE A3	
MATERIAL SEE TABLE		APPLICATION SPEC	CAGE CODE 00779	DRAWING NO C-1337458
FINISH -		WEIGHT 0.000000	RESTRICTED TO -	SCALE NTS
CUSTOMER DRAWING			SHEET 1 of 1	REV D1

单击下面可查看定价，库存，交付和生命周期等信息

[>>TE Connectivity\(泰科\)](#)