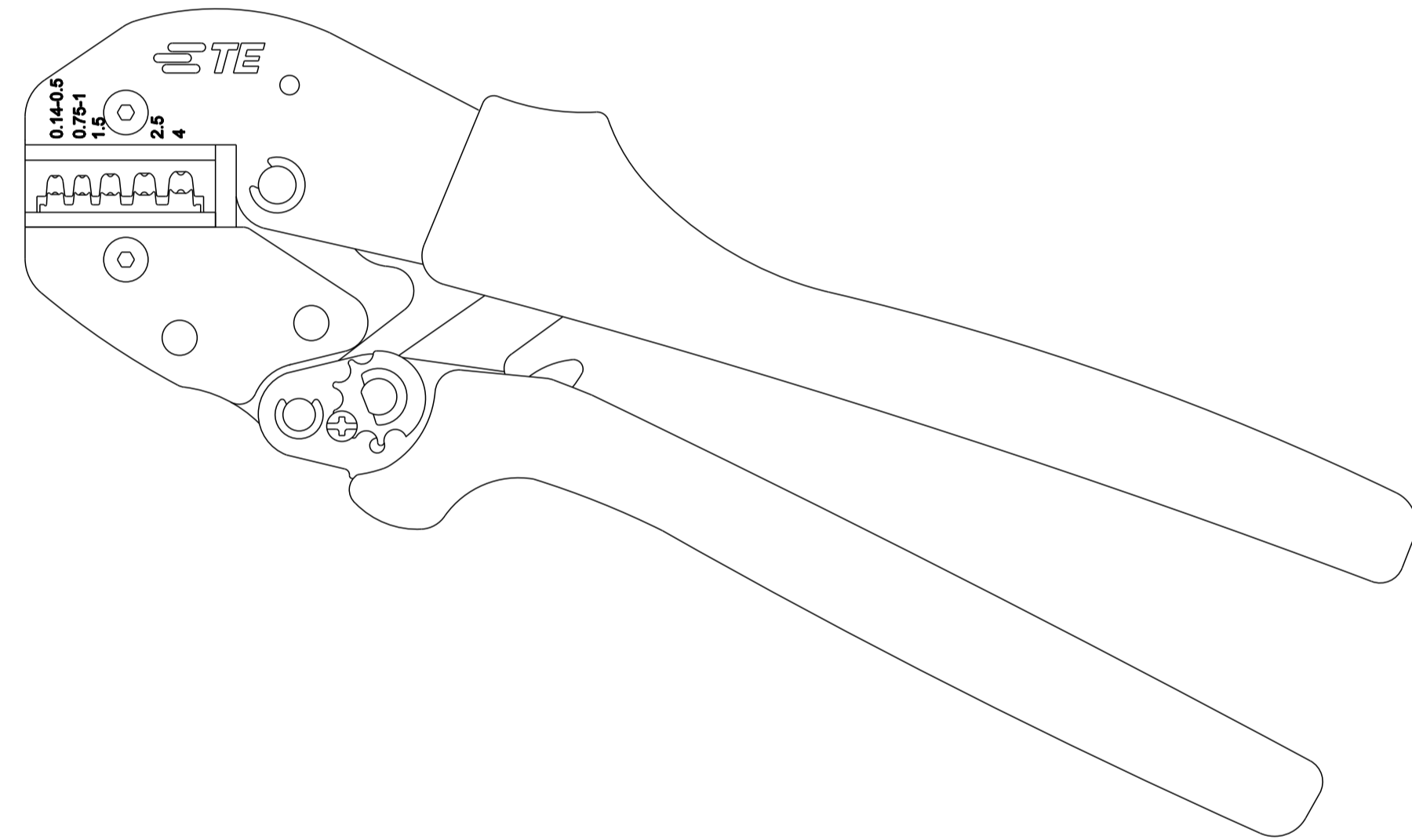
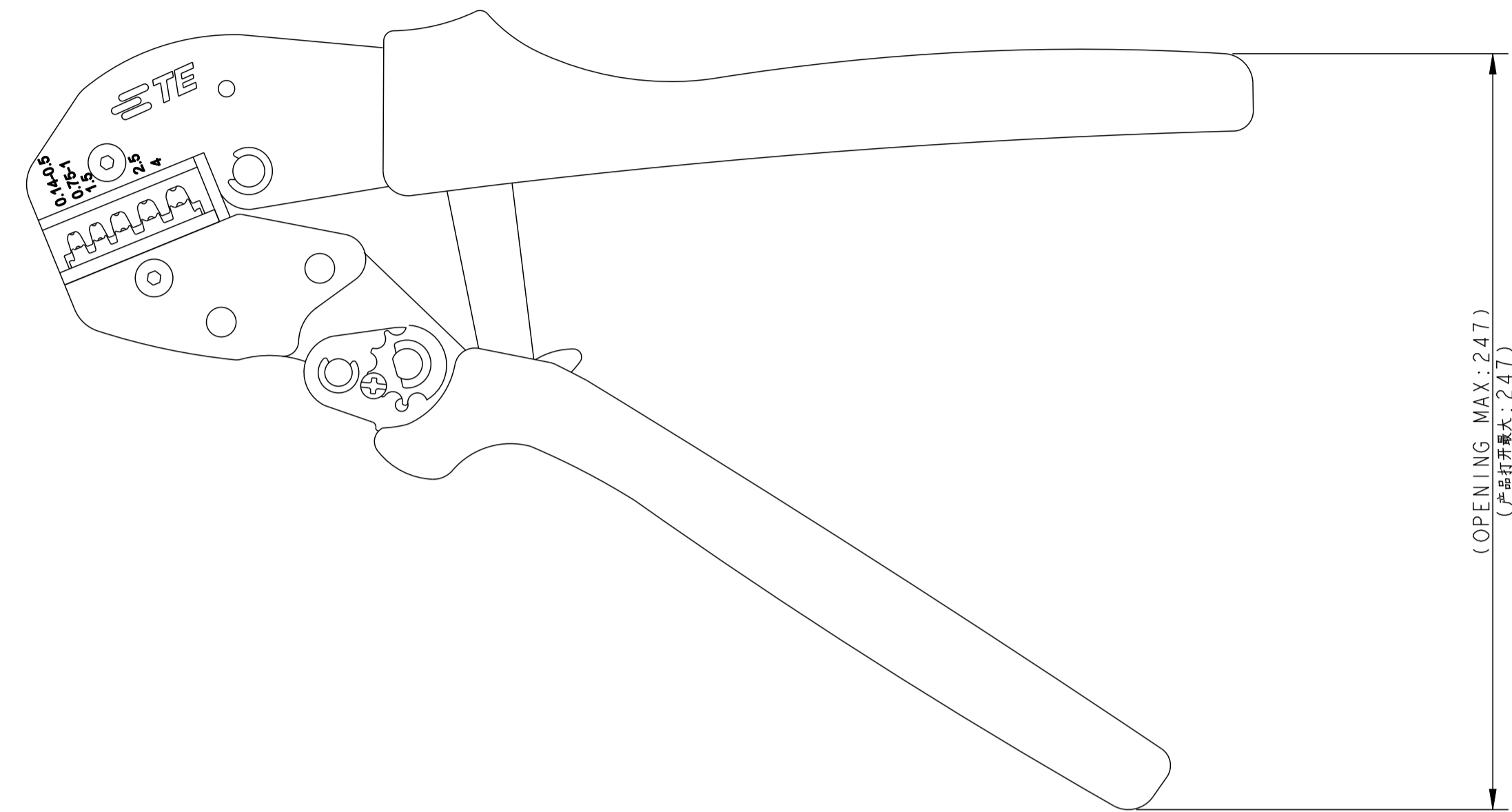
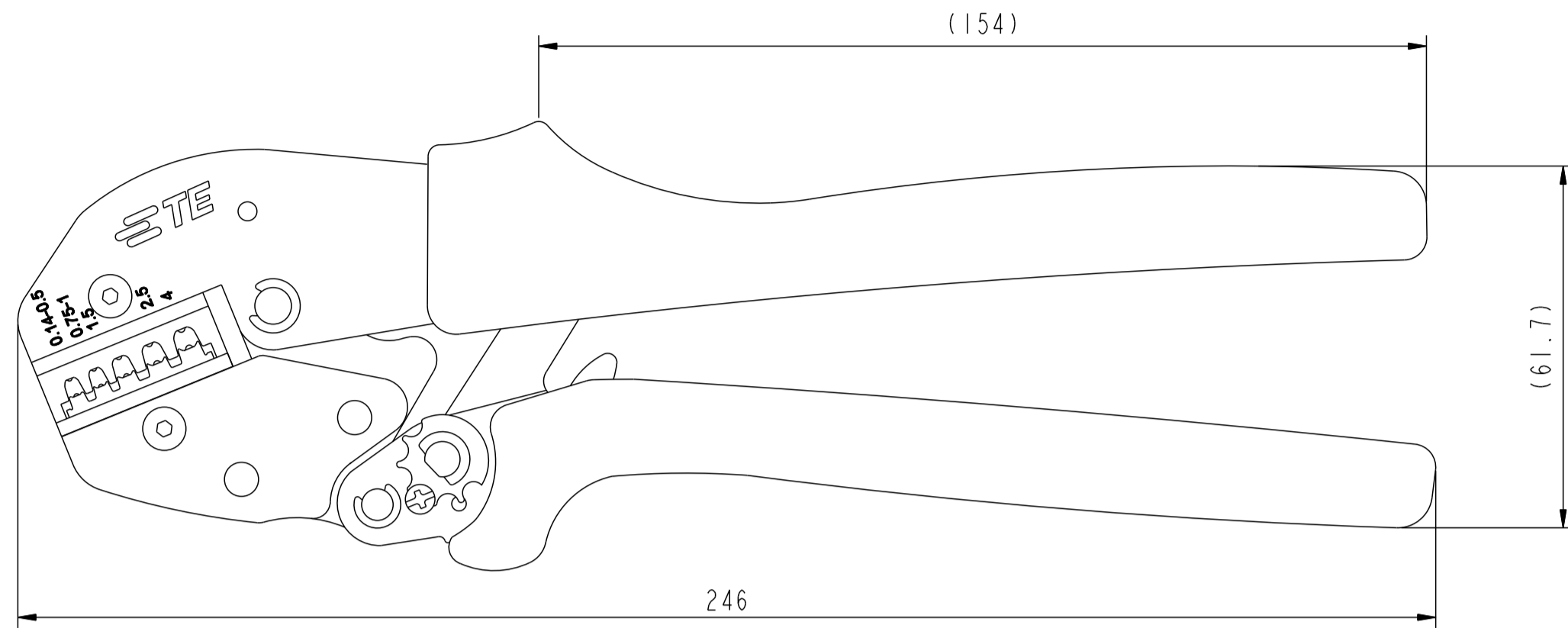


REVISIONS				
P	LTM	DESCRIPTION	DATE	APPROV
A		INITIAL RELEASE	14MAR2019	WOR CW
A1		ECR-19-012251	10SEP2019	WOR CW

TYPE 1: WITH TE LOGO  
 类型 1: 带 TE LOGO



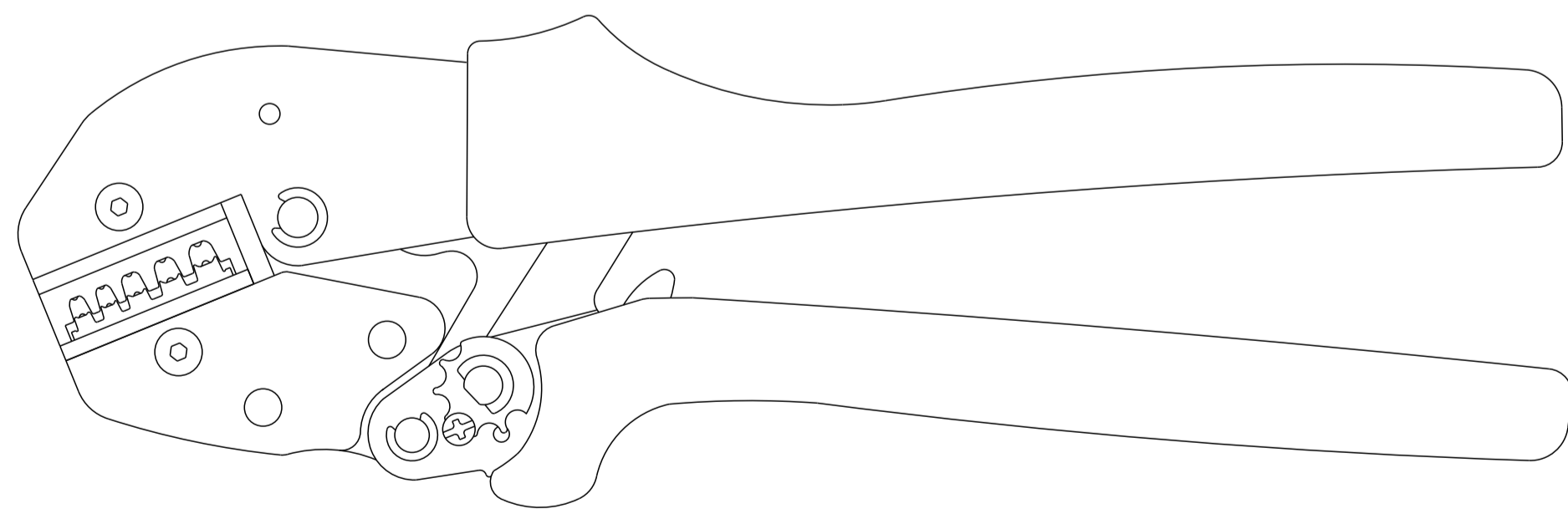
NOTES:

- TECHNICAL CHARACTERISTICS:  
 PRODUCT DESIGNED FOR WIRE RANGE (0.14-4.0mm<sup>2</sup>).  
 PRODUCT DESIGNED FOR CEM/CEF/DEM/DEF CONTACTS.

注释:

- 技术参数:  
 产品适用于0.14-4.0mm<sup>2</sup>端子。  
 产品适用于CEM/CEF/DEM/DEF针件。

TYPE 2: THIS TYPE IS SAME AS TYPE 1, ONLY NO LOGO  
 类型 2: 此类型同类型1, 只是无LOGO



T3100000001-001	CRIMPBOX-0.14/4.0, NO MARKING	CRIMP TOOL, 0.14-4.0mm <sup>2</sup> , 16A CONTACT, NO MARKING 压线钳, 0.14-4.0mm <sup>2</sup> 范围, 用于16A针件, 未打字	TYPE 2 类型 2
T3100000001-000	CRIMPBOX-0.14/4.0	CRIMP TOOL, 0.14-4.0mm <sup>2</sup> , 16A CONTACT 压线钳, 0.14-4.0mm <sup>2</sup> 范围, 用于16A针件	TYPE 1 类型 1
PART NUMBER 料号	PART DESCRIPTION 描述		TYPE 类型

THIS DRAWING IS A CONTROLLED DOCUMENT.		OWN: WENQING RAO 14MAR2019															
DIMENSIONS: mm		CHK: GINO YAO 14MAR2019															
TOLERANCES UNLESS OTHERWISE SPECIFIED:		APVD: CHRIS WANG 14MAR2019	NAME: CRIMPBOX-0.14/4.0														
<table border="1"> <tr><td>0 PLC</td><td>±</td></tr> <tr><td>1 PLC</td><td>±</td></tr> <tr><td>2 PLC</td><td>±</td></tr> <tr><td>3 PLC</td><td>±</td></tr> <tr><td>4 PLC</td><td>±</td></tr> <tr><td>ANGLES</td><td>±</td></tr> <tr><td>FINISH</td><td>±</td></tr> </table>		0 PLC	±	1 PLC	±	2 PLC	±	3 PLC	±	4 PLC	±	ANGLES	±	FINISH	±	PRODUCT SPEC	RESTRICTED TO
0 PLC	±																
1 PLC	±																
2 PLC	±																
3 PLC	±																
4 PLC	±																
ANGLES	±																
FINISH	±																
MATERIAL		APPLICATION SPEC	SIZE: A1														
		WEIGHT	CAGE CODE: -														
		CUSTOMER DRAWING	DRAWING NO: C-T310000000100X														
		SCALE: 1:1	SHEET 1 OF 1														
			REV: A1														

单击下面可查看定价，库存，交付和生命周期等信息

[>>TE Connectivity\(泰科\)](#)