

THIS DRAWING IS UNPUBLISHED.

RELEASED FOR PUBLICATION

20

© COPYRIGHT 20

ALL RIGHTS RESERVED.

LOC
FT

DIST
0

REVISIONS

| P | LTR | DESCRIPTION | DATE | DWN | APVD |
|---|-----|---------------------------|-----------|-----|------|
| | C2 | REVISED PER ECO-12-007964 | 02MAY2012 | KH | MS |



1 MATERIALS AND FINISH
HOUSING: PA 6-6, UL 94-V0, COLOR GREEN, RAL 7032.
TERMINAL: COPPER ALLOY, TIN PLATED.

2 SUITABLE FOR 1,6-2,4mm PC BOARD THICKNESS.

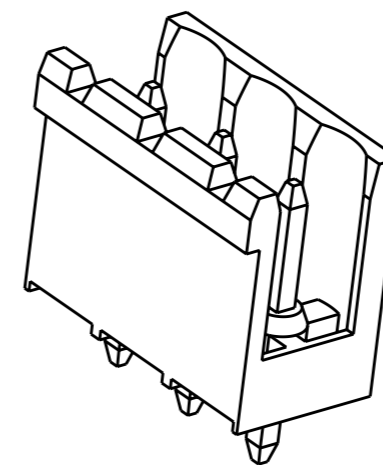
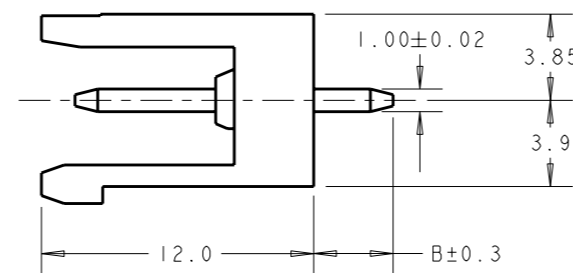
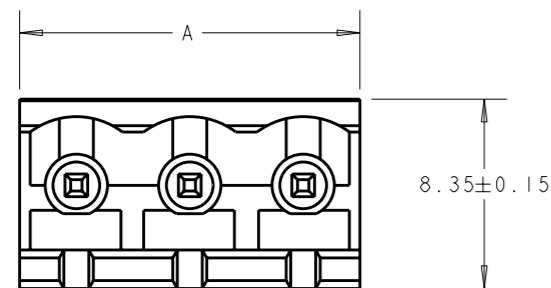
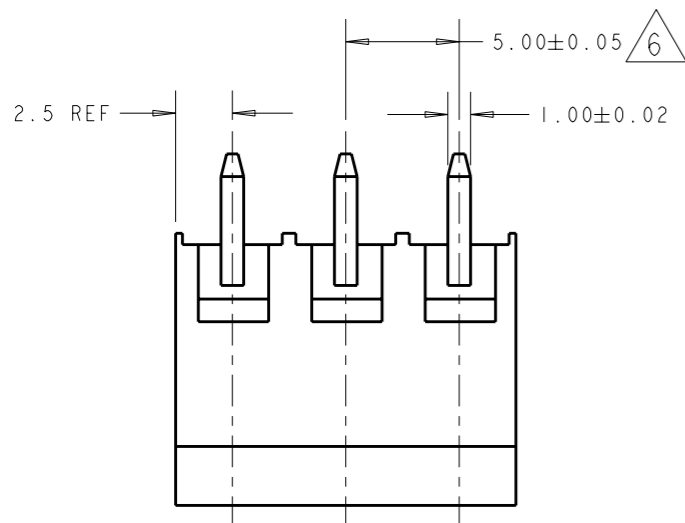
3 END-TO-END STACKABLE WITHOUT LOSS OF CENTERLINE SPACING.

4 RECOGNIZED UNDER THE COMPONENT PROGRAM OF UNDERWRITERS LABORATORIES INC., FILE N° E60677.

5 IMQ CERTIFICATE WITH SURVEILLANCE IN CONFORMITY WITH IEC 998-1/998-2-1.



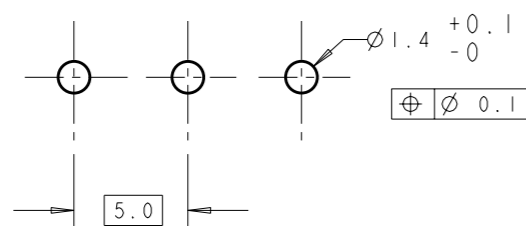
6 NOT CUMULATIVE TOLERANCE.



282822-3 AS SHOWN

| 7.6 | 30 | 6 | 2-282822-6 |
|-----|-----|----|------------|
| | 125 | 25 | 2-282822-5 |
| | 120 | 24 | 2-282822-4 |
| | 115 | 23 | 2-282822-3 |
| | 110 | 22 | 2-282822-2 |
| | 105 | 21 | 2-282822-1 |
| | 100 | 20 | 2-282822-0 |
| | 95 | 19 | 1-282822-9 |
| | 90 | 18 | 1-282822-8 |
| | 85 | 17 | 1-282822-7 |
| | 80 | 16 | 1-282822-6 |
| | 75 | 15 | 1-282822-5 |
| | 70 | 14 | 1-282822-4 |
| | 65 | 13 | 1-282822-3 |
| | 60 | 12 | 1-282822-2 |
| | 55 | 11 | 1-282822-1 |
| | 50 | 10 | 1-282822-0 |
| | 45 | 9 | 282822-9 |
| | 40 | 8 | 282822-8 |
| | 35 | 7 | 282822-7 |
| | 30 | 6 | 282822-6 |
| | 25 | 5 | 282822-5 |
| | 20 | 4 | 282822-4 |
| | 15 | 3 | 282822-3 |
| | 10 | 2 | 282822-2 |

DIM. B DIM. A N° POS. PART NUMBER



RECOMMENDED PC BOARD LAYOUT

| | | | | |
|--|--------|-------------------------------------|--|------------------------|
| THIS DRAWING IS A CONTROLLED DOCUMENT. | | DWN E. ZANOLINI 20 JUL 2001 | TE Connectivity | |
| DIMENSIONS: mm | | CHK D. BIEVENOUR 20 JUL 2001 | | |
| TOLERANCES UNLESS OTHERWISE SPECIFIED: | | APVD D. BIEVENOUR 20 JUL 2001 | NAME TERMINAL BLOCK HEADER ASSEMBLY 180 DEG OPEN ENDS, STACKING 5mm PITCH | |
| 0 PLC ±- | | PRODUCT SPEC 108-20166 | SIZE A3 | |
| 1 PLC ±.2 | | APPLICATION SPEC 114-20079 | CAGE CODE 00779 | DRAWING NO C-282822 |
| 2 PLC ±.25 | | WEIGHT - | RESTRICTED TO - | |
| 3 PLC ±- | | CUSTOMER DRAWING | SCALE 3:1 | |
| 4 PLC ±- | | | SHEET 1 OF 1 | |
| ANGLES ±2 | | REV C2 | | |
| MATERIAL | FINISH | | | |

单击下面可查看定价，库存，交付和生命周期等信息

[>>TE Connectivity\(泰科\)](#)