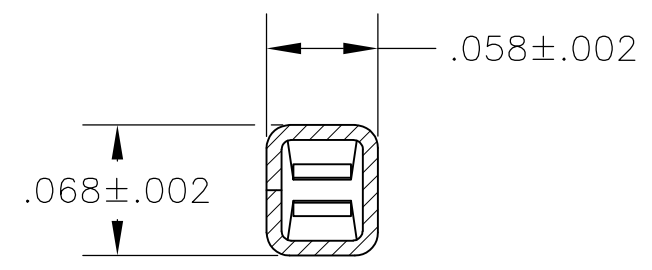
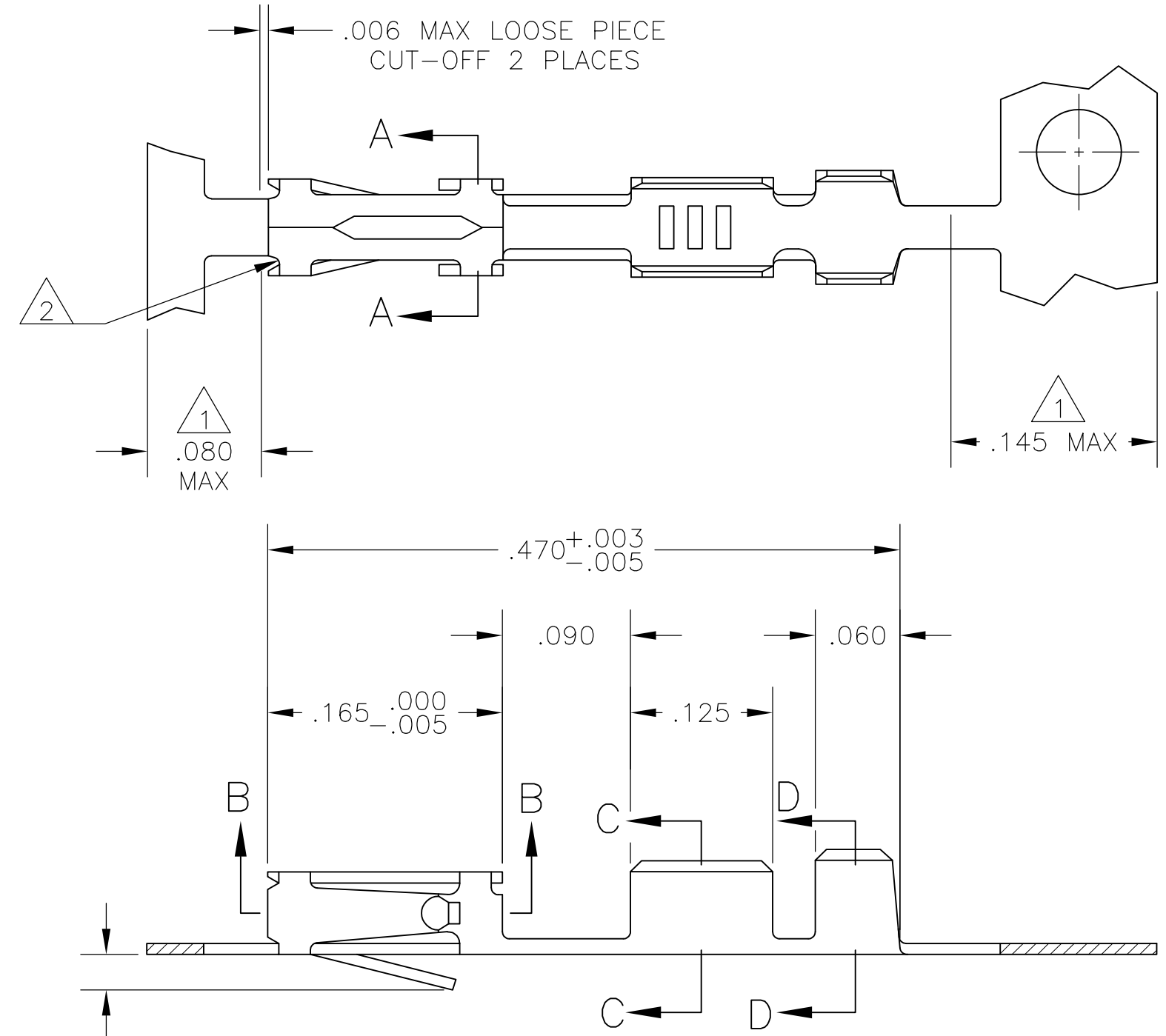
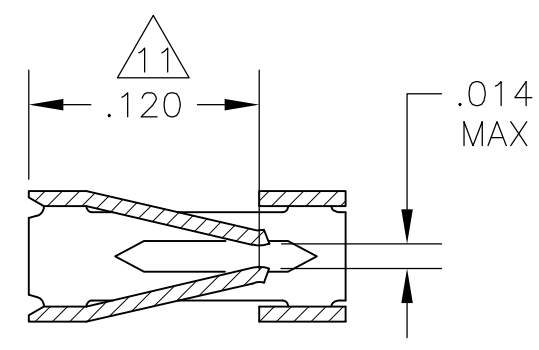


THIS DRAWING IS UNPUBLISHED. RELEASED FOR PUBLICATION
 © COPYRIGHT - By - ALL RIGHTS RESERVED.

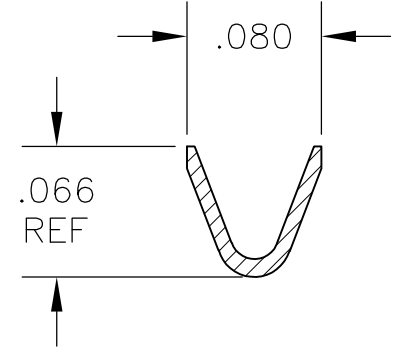
LOC		DIST		REVISIONS			
P	LTR	DESCRIPTION		DATE	DWN	APVD	
AD	00	AE	REVISED PER ECO-15-004633	30MAY2015	NK	JO	



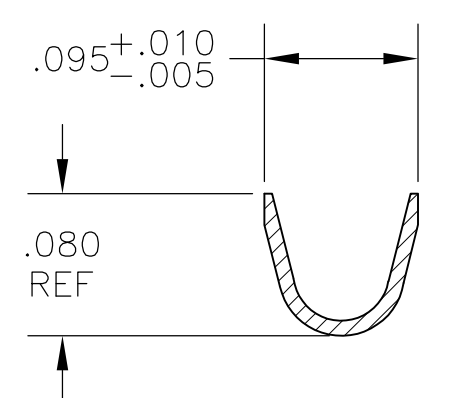
SECTION A-A



SECTION B-B



WIRE SIZE #24-#20
SECTION C-C



INSULATION RANGE .069 MAX
SECTION D-D

- 1 GOLD PLATING IS NOT REQUIRED IN THIS AREA.
- 2 CUT-OUTS ON THE BOX ARE AT MANUFACTURERS OPTION.
- 3 THIS TERMINAL IS REELED FOR THE STANDARD APPLICATOR.
- 4 THIS TERMINAL IS REELED FOR THE MINI APPLICATOR.
- 5 .000030 GOLD OVER .000050 NICKEL.
- 6 .000030 GOLD ON THE CONTACT AREA, GOLD FLASH ON THE REMAINDER ALL OVER .000050 NICKEL.
- 7 PREPLATED:(HALT) .000078-.000158 BRIGHT TIN.
- 8 .000050 GOLD OVER .000050 NICKEL.
- 9 .000015 GOLD ON THE CONTACT AREA, GOLD FLASH ON THE REMAINDER ALL OVER .000050 NICKEL.
- 10 .000050 GOLD ON THE CONTACT AREA, GOLD FLASH ON THE REMAINDER ALL OVER .000050 NICKEL.
- 11 POINT OF MEASUREMENT FOR PLATING THICKNESS (INSIDE BEAMS).
- 12 .000015 GOLD IN CONTACT AREA, .000050 NICKEL ON ENTIRE TERMINAL.
- 13 OBSOLETE PART NUMBER.
- 14 OBSOLETE PARTS: OBSOLETE CIS STREAMLINING PER D.RENAUD/D.SINISI.

REVISIONS	DESCRIPTION	DATE	DWN	APVD
4	12	13 -7	13	2-85969-0
3	3	12	13	1-85969-9
3	10	13 -6	13	1-85969-8
4	4	10	13	1-85969-7
4	8	86016-4		1-85969-0
4	4	7		85969-9
4	6	86016-3		85969-8
4	4	5		85969-7
4	9	86016-2		85969-6
3	3	9		86016-5
3	8	86016-5	13	85969-5
3	3	7		86016-4
3	3	86016-4	14	85969-4
3	3	86016-3	13	85969-3
3	3	86016-2		85969-2
3	3	86016-2		85969-1

SUPERSEDED BY 85969-4

THIS DRAWING IS A CONTROLLED DOCUMENT.		DWN	L.D.RINGLEY	10DEC85	 TE Connectivity				
DIMENSIONS: INCHES		CHK	J.L.GESFORD	16DEC85					
TOLERANCES UNLESS OTHERWISE SPECIFIED:		APVD	J.L.GESFORD	16DEC85					
0 PLC ± - 1 PLC ± - 2 PLC ± - 3 PLC ± .005 4 PLC ± - ANGLES ± -		PRODUCT SPEC	108-25, 020						
MATERIAL		APPLICATION SPEC	114-25, 003		NAME	CONTACT, MOD IV, RECEPTACLE, CRIMP SNAP-IN			
CU-NI-SI		FINISH	SEE TABLE		SIZE	A2	CAGE CODE	00779	
					DRAWING NO	C=85969		RESTRICTED TO	
					WEIGHT	-			
					CUSTOMER DRAWING	SCALE	10:1	SHEET	1 OF 1
								REV	AE

单击下面可查看定价，库存，交付和生命周期等信息

[>>TE Connectivity\(泰科\)](#)