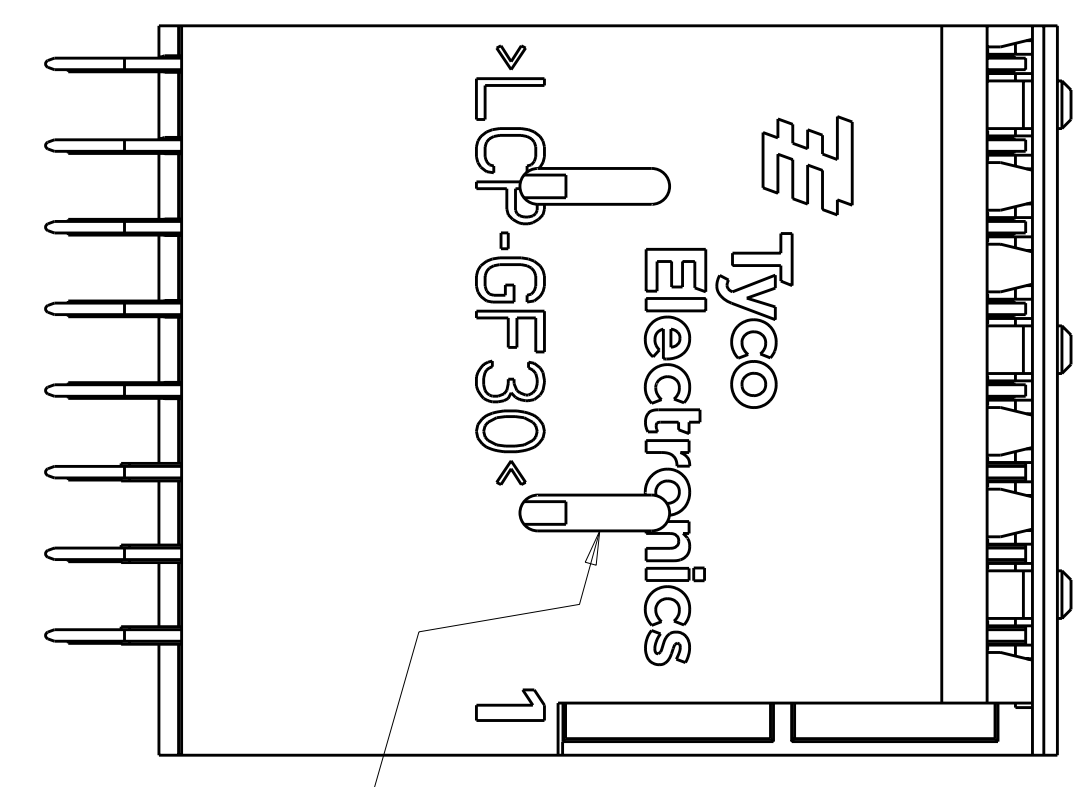


LOC	DIST	REV	DATE	BY	APP'D
DF	A5	1	05AUG2009	BY	MM



SLOTS FOR RECEIVING SHIELD  
 RETENTION LEGS

- 1 HOUSING: LCP, UL94V0, COLOR: BLACK.  
 CONTACT: PHOSPHOR BRONZE.  
 POST: BRASS WIRE
- 2 CONTACT: 1.27µm MIN GOLD IN PAD CONTACT AREA, 1.27µm MIN TIN-LEAD ON PCB TAIL OVER 1.27µm MIN. NICKEL OVER ALL.  
 POST: 1.27µm MIN NICKEL PLATED.
- 3 MANUFACTURING TOLERANCE FOR  $\phi 0.46 \pm 0.05$   
 DIAMETER FINISHED HOLE WITH SnPB PLATING:  
 DRILLED HOLE =  $\phi 0.55 \pm 0.02$   
 COPPER PLATING = 0.025-0.050  
 Sn PB PLATING = 0.0038-0.0124  
 OR MANUFACTURING TOLERANCE FOR  $\phi 0.475 \pm 0.05$   
 DIAMETER FINISHED HOLE WITHOUT SnPB PLATING:  
 DRILLED HOLE =  $\phi 0.55 \pm 0.02$   
 COPPER PLATING = 0.025-0.050
- 4 SEE TABLE 1 FOR INTERCONNECTIONS TO BACKPLANE CONNECTOR.

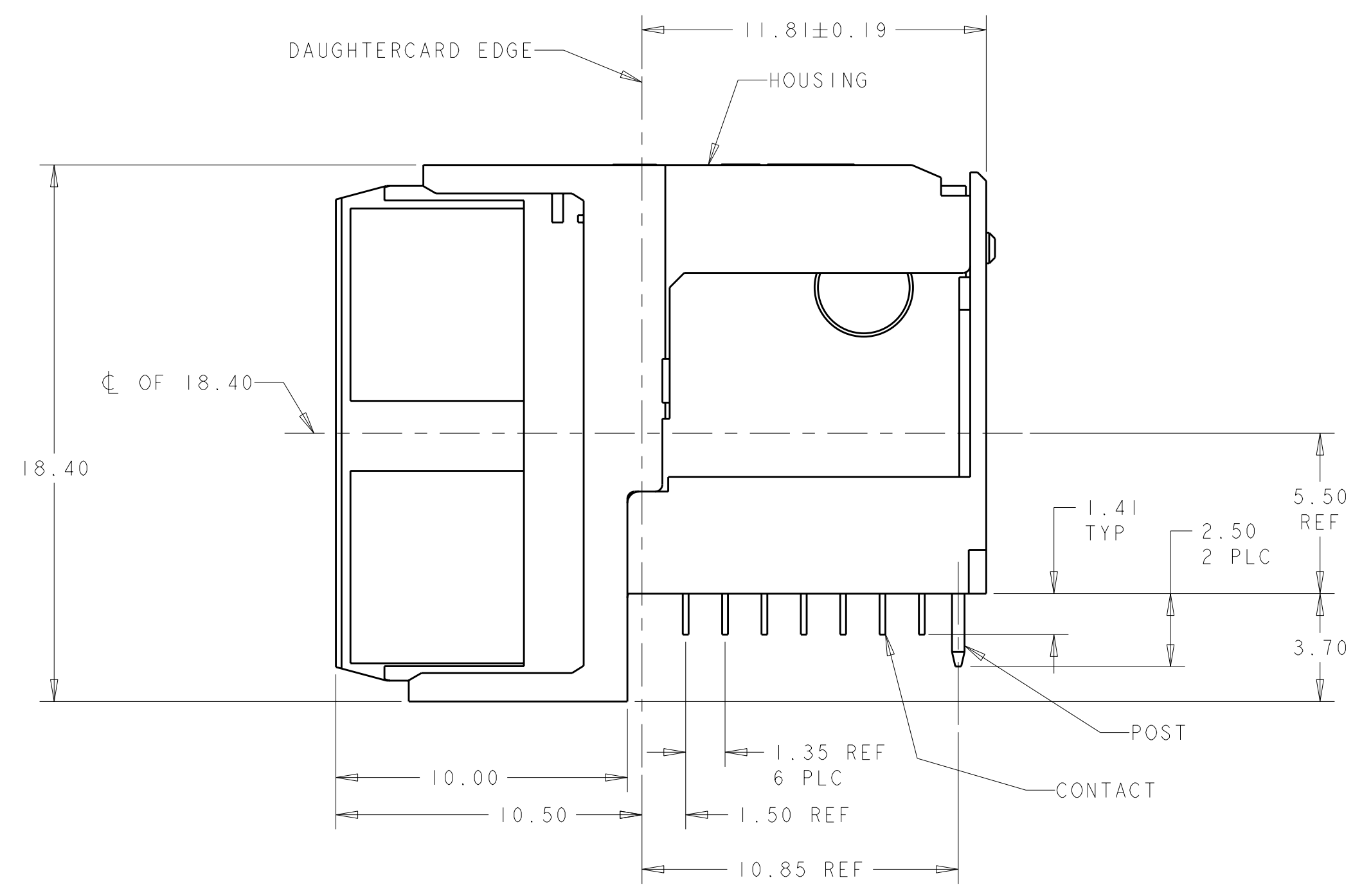
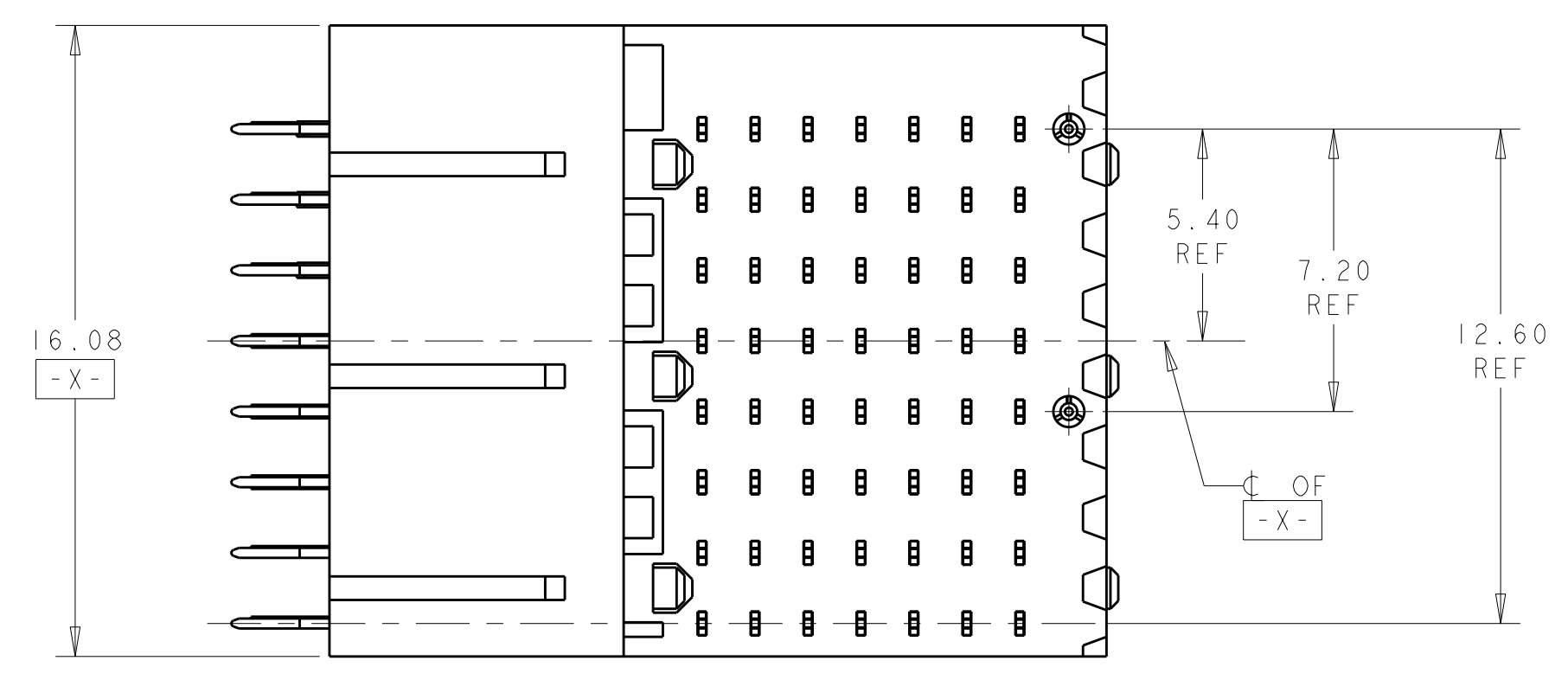
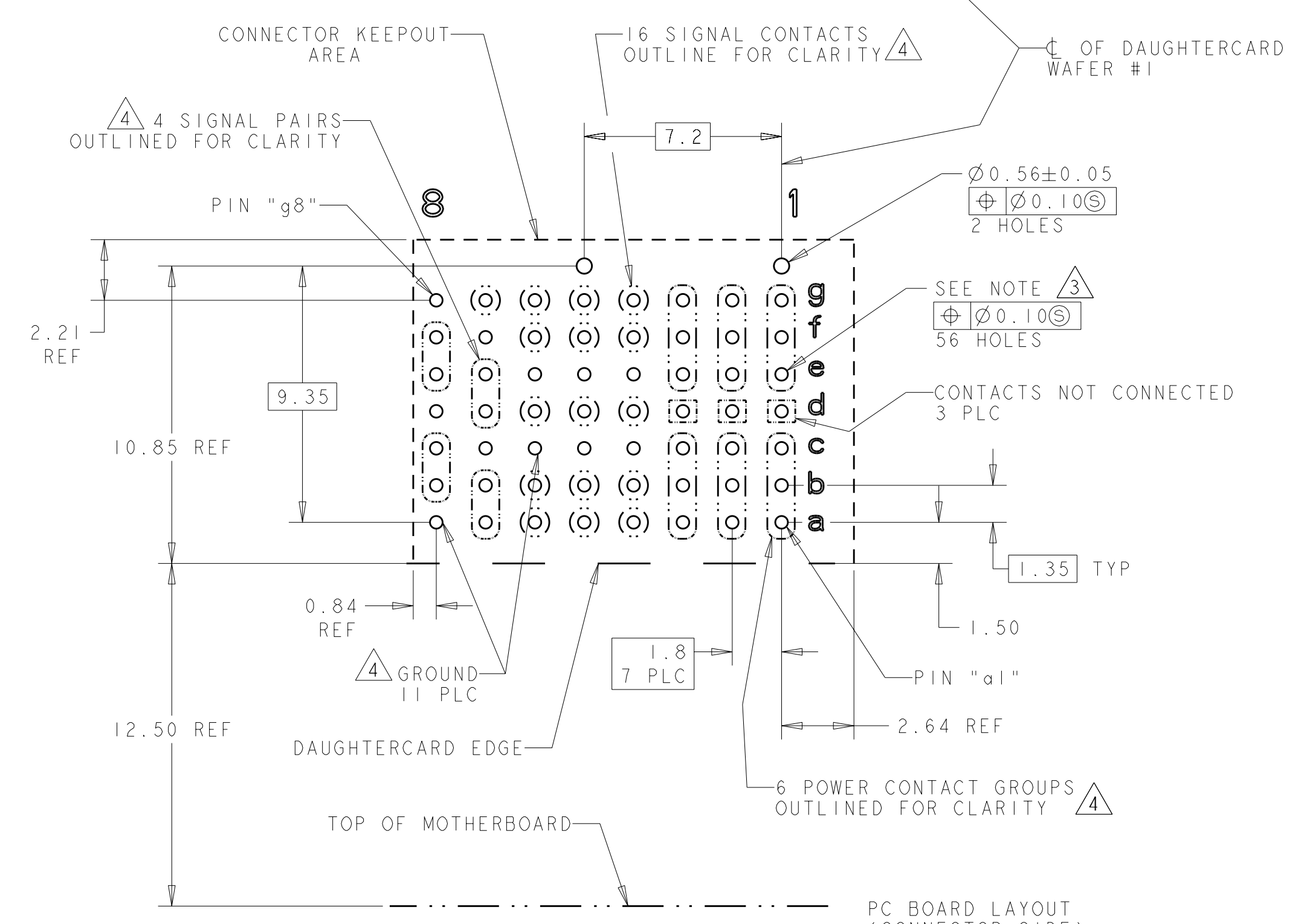
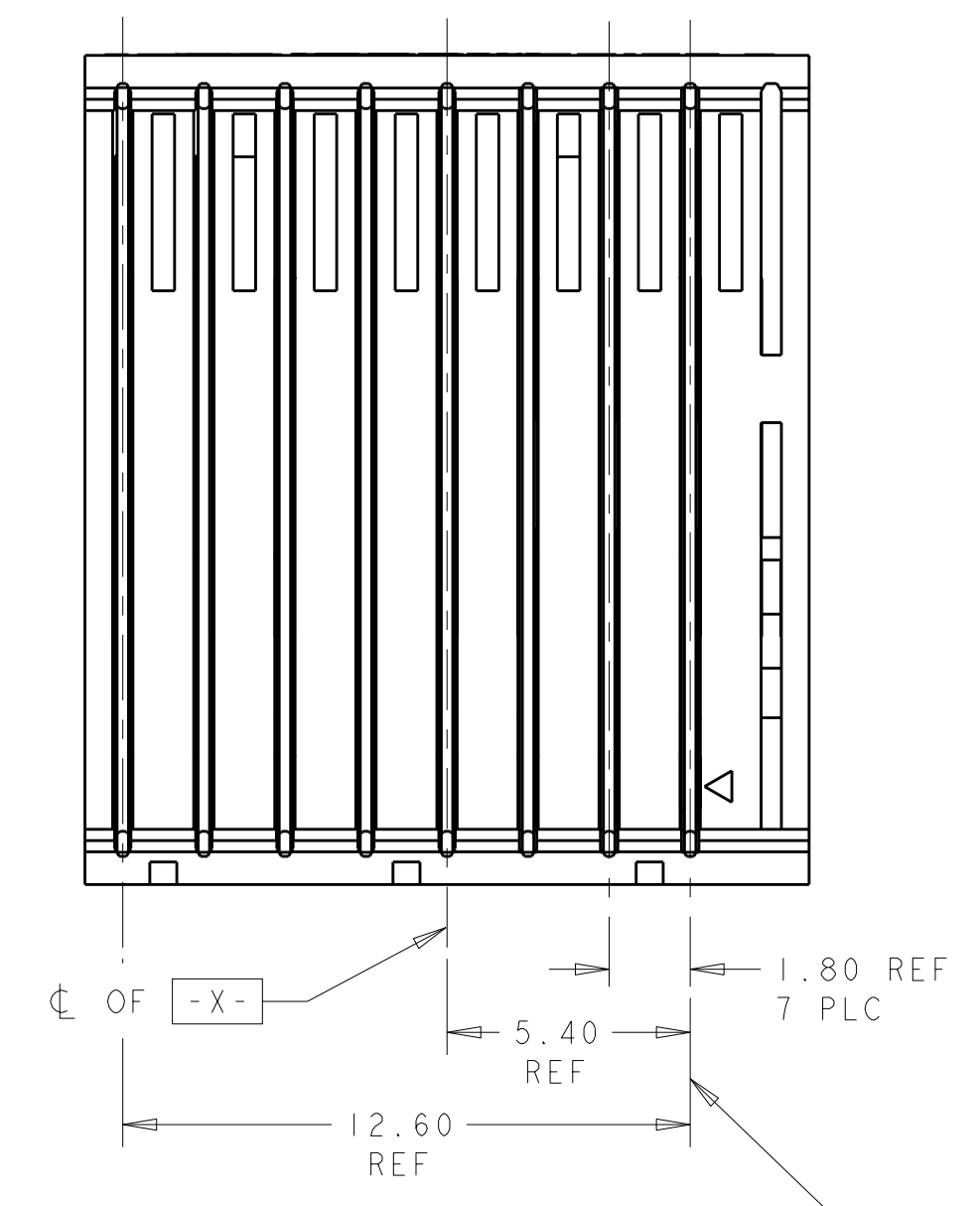


TABLE 1  
 INTERCONNECTIONS WITH BACKPLANE  
 CONNECTOR 1410186

TYPICAL INTERCONNECTIONS FOR COLUMN (WAFER): 8		
CONTACT USAGE	DAUGHTERCARD CONNECTOR PIN	BACKPLANE CONNECTOR PIN
SIGNAL PAIR	bx	cx
	cx	dx
SIGNAL PAIR	ex	gx
	fx	hx
GROUND	ax, dx, gx, (ALL COMMONED)	ax, bx, ex, fx, ix
TYPICAL INTERCONNECTIONS FOR COLUMN (WAFER): 7		
CONTACT USAGE	DAUGHTERCARD CONNECTOR PIN	BACKPLANE CONNECTOR PIN
SIGNAL PAIR	ax	ax
	bx	bx
SIGNAL PAIR	dx	ex
	ex	fx
SIGNAL	gx	ix
GROUND	cx, fx (ALL COMMONED)	cx, dx, gx, hx
TYPICAL INTERCONNECTIONS FOR EACH COLUMN (WAFER): 4,5,6		
CONTACT USAGE	DAUGHTERCARD CONNECTOR PIN	BACKPLANE CONNECTOR PIN
SIGNAL	ax	bx
SIGNAL	bx	cx
SIGNAL	dx	ex
SIGNAL	fx	gx
SIGNAL	gx	hx
GROUND	cx, ex, (ALL COMMONED)	ax, dx, fx, ix
TYPICAL INTERCONNECTIONS FOR EACH COLUMN (WAFER): 1,2,3		
CONTACT USAGE	DAUGHTERCARD CONNECTOR PIN	BACKPLANE CONNECTOR PIN
POWER	ax, bx, cx	ax, bx, cx, dx
POWER	ex, fx, gx	fx, gx, hx, ix
NOT CONNECTED	dx	ex



THIS PRODUCT HAS NOT COMPLETED VALIDATION TESTING

THIS PRINT IS  
**PRELIMINARY**  
 UNQUALIFIED PRODUCT  
 CONTACT PRODUCT ENGINEERING  
 BEFORE USING THIS PRINT

DIMENSIONS: mm		TOLERANCES UNLESS OTHERWISE SPECIFIED:		DWG: 5AUG2009		Tyco Electronics Harrisburg, PA 17105-3608	
MATERIAL:		FINISH: SEE TABLE		CHY: Brent D. Toth M.R. MCALONIS DATE: 05SEP2009 PRODUCT SPEC: 108-2072 APPLICATION SPEC: 114-13056		NAME: RIGHT-ANGLE PLUG ASSEMBLY, 7 ROW, HALF LEFT END, 20.3mm, MULTIGIG RT2 MGX, DAUGHTERCARD CONNECTOR, VITA 46 SIZE: CAGE CODE DRAWING NO: 00779 WEIGHT: - CUSTOMER DRAWING: 2000875-1 SCALE: 6:1 SHEET 1 OF 1 REV 1	

单击下面可查看定价，库存，交付和生命周期等信息

[>>TE Connectivity\(泰科\)](#)