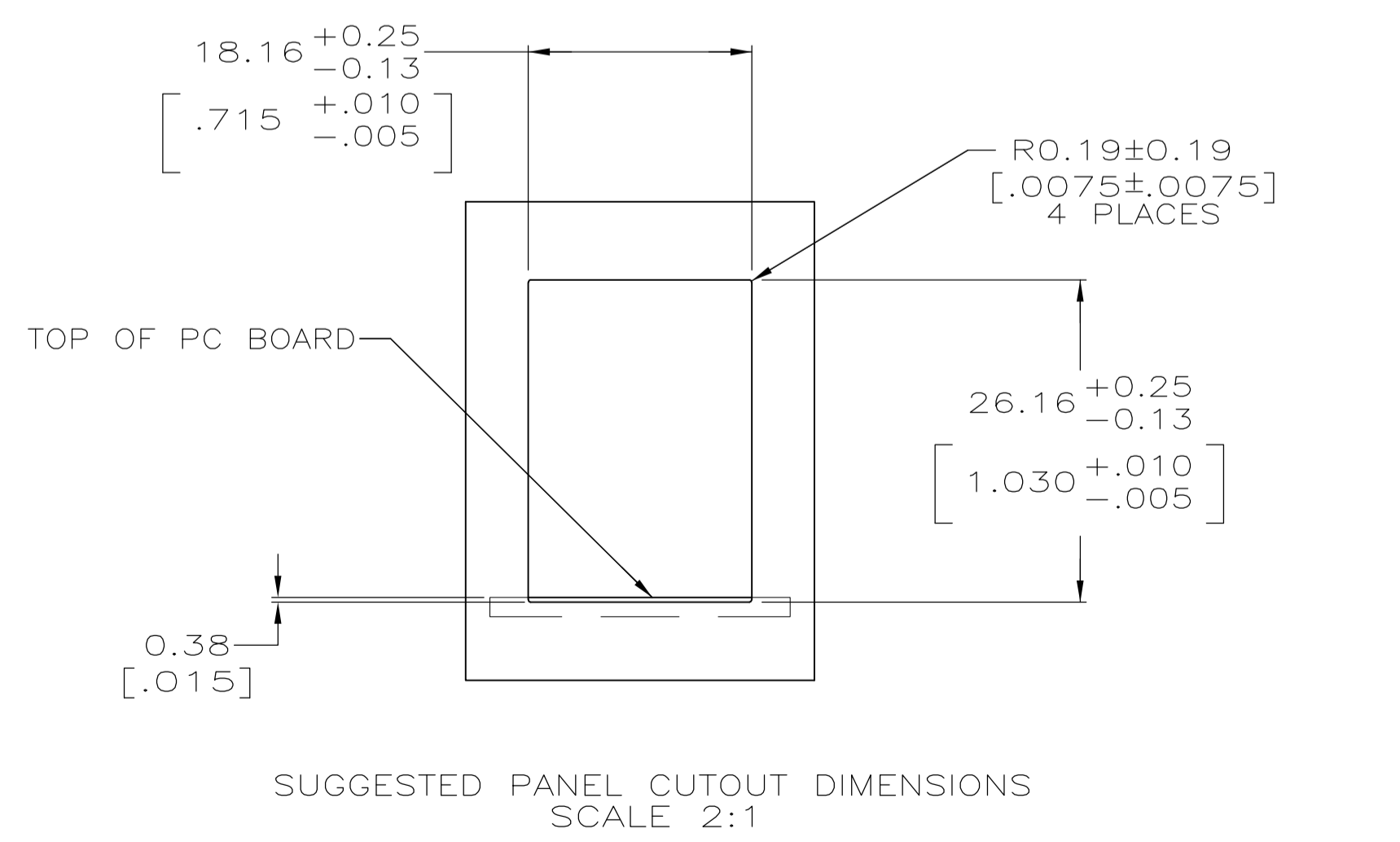
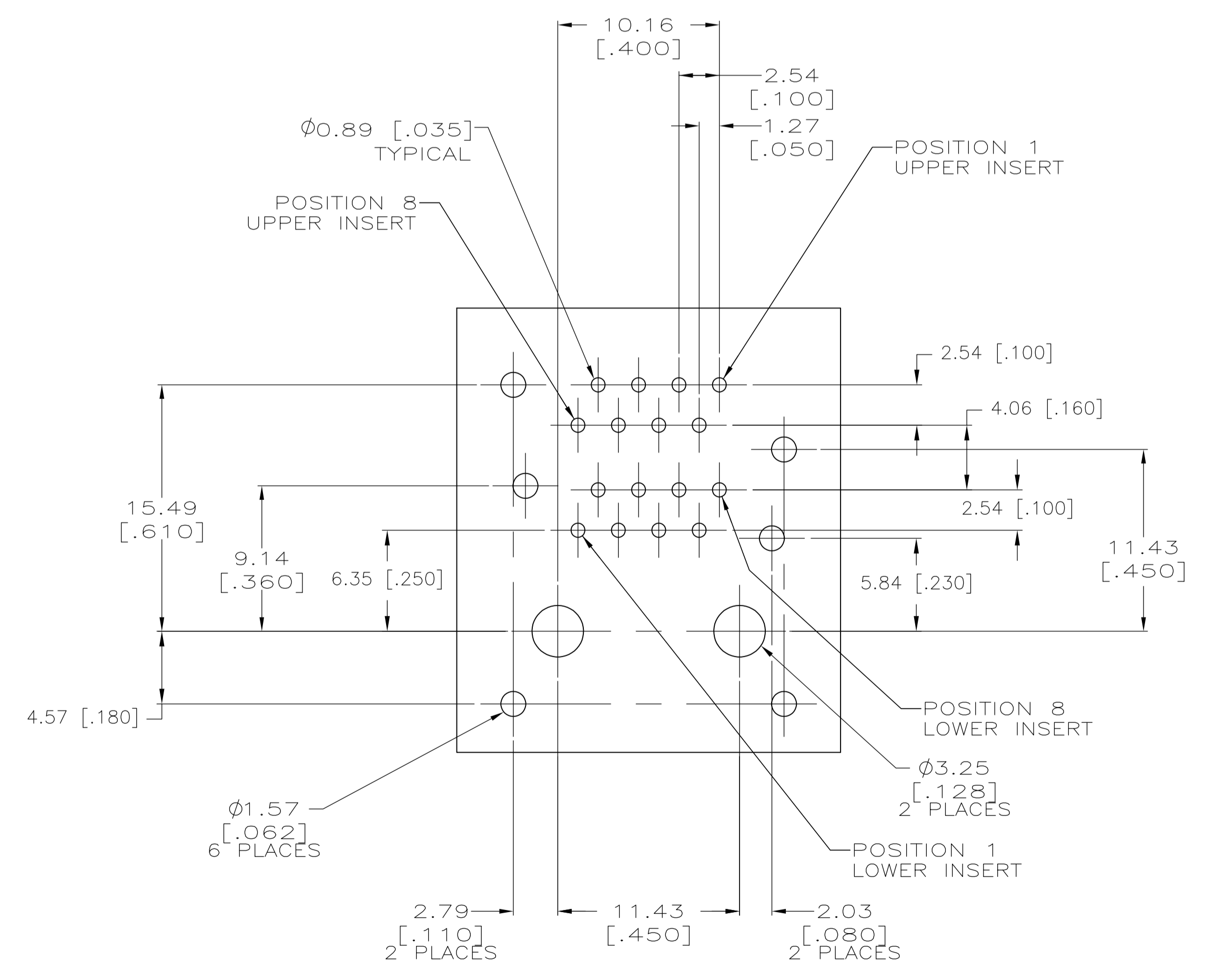
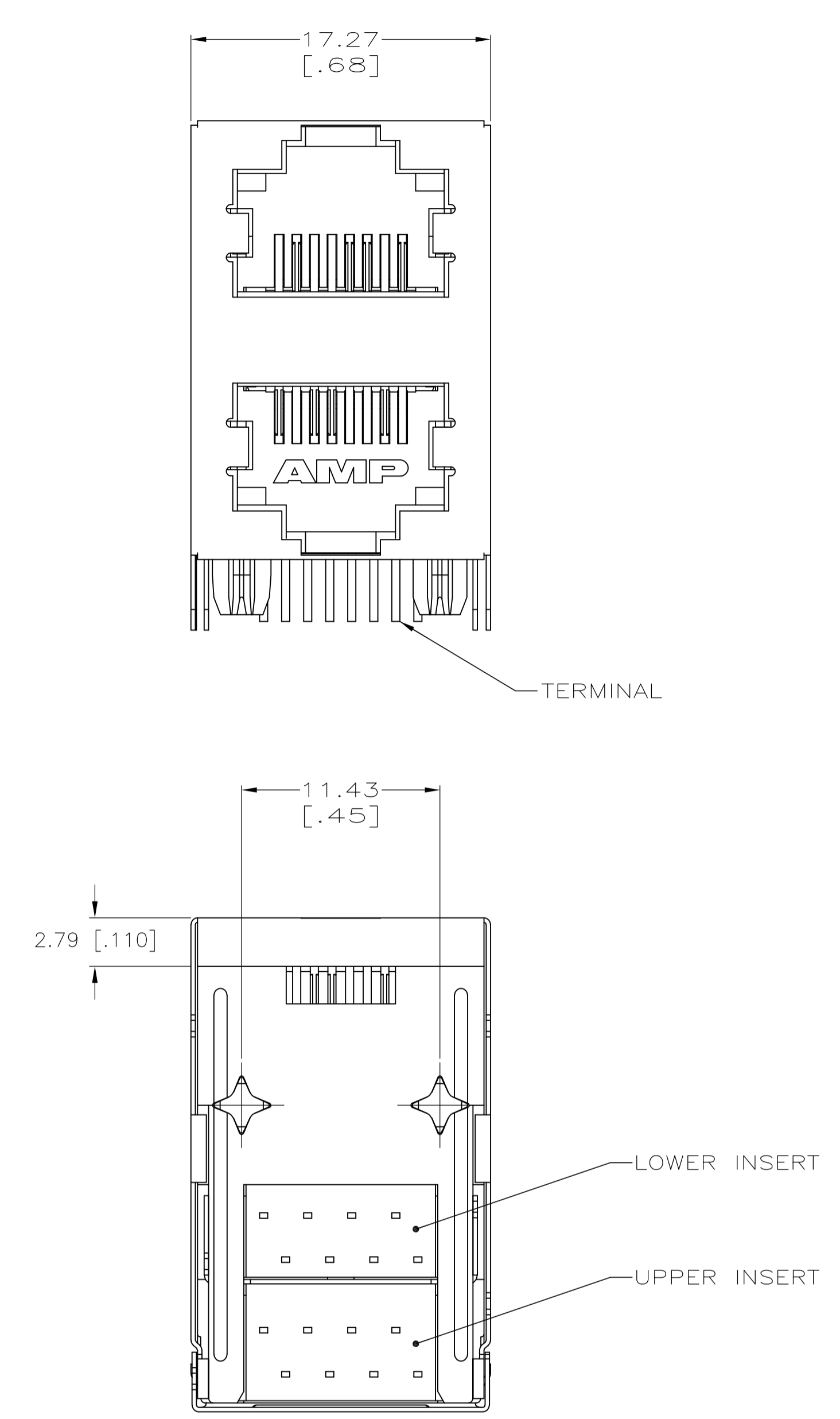
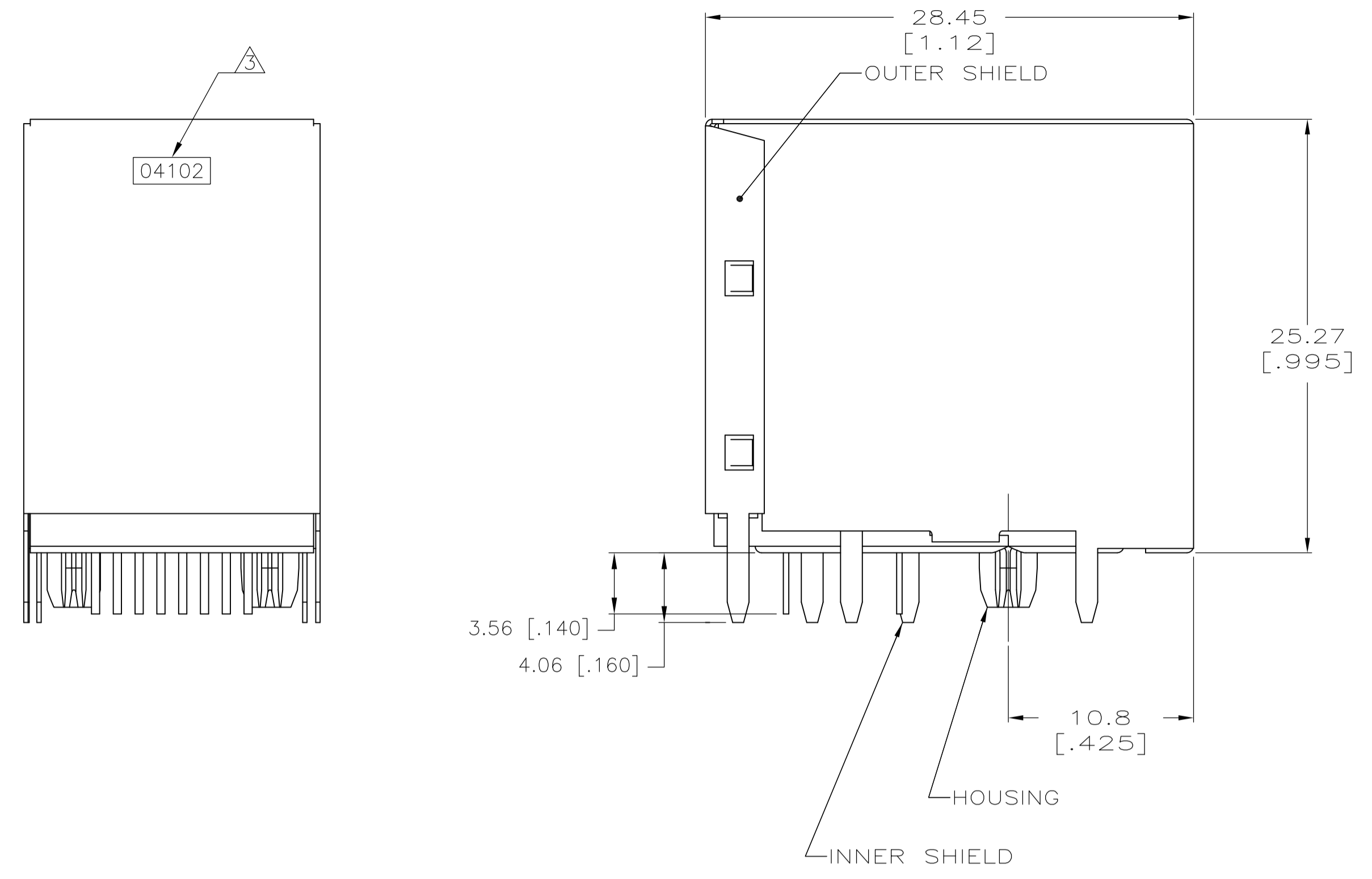


LOC		DIST		REVISIONS			
AA	22	P	LTR	DESCRIPTION	DATE	DWN	APVD
A3				REVISED PER ECO-13-014513	03SEP2013	LL	SH



**MATERIAL:**  
 HOUSING - PCT POLYESTER, BLACK, UL94V-0.  
 OVERMOLDED TERMINAL ARRAY - PBT, BROWN.  
 TERMINALS - 0.33 [.013] THICK PHOS BRONZE PLATED WITH 1.27um [.000050] MIN THICK HARD GOLD IN LOCALIZED AREA AND 3.81um [.000150] MIN THICK MATTE TIN SOLDER AREA OVER 1.27um [.000050] MIN THICK NICKEL UNDERPLATE.  
 SHIELDS - 0.25 [.010] THICK COPPER ALLOY PLATED WITH 1.27 um [.000050] MINIMUM NICKEL AND 2.03 um [.000080] MINIMUM HOT TIN DIP ON PCB GROUND TABS.

**JACK CAVITY CONFORMS TO FCC RULES AND REGULATIONS, PART 68 SUBPART F.**

**DATE CODE LOCATED ON REAR OF PART APPROXIMATELY AS SHOWN:**  
 FIRST 2 DIGITS ARE LAST 2 DIGITS OF YEAR,  
 SECOND 2 DIGITS ARE MANUFACTURING WORK WEEK,  
 LAST DIGIT IS DAY OF WEEK, WITH SUNDAY = 1.

PC BOARD LAYOUT VIEWED FROM COMPONENT SIDE

SUGGESTED PANEL CUTOUT DIMENSIONS SCALE 2:1

THIS DRAWING IS A CONTROLLED DOCUMENT.		DIN L VARELA - DOCKS 06JUN2005	5569380-1 PART NUMBER	
DIMENSIONS: mm [INCHES]		CHK J. WESTMAN 06JUN2005	APVD S. FLICKINGER 06JUN2005	
TOLERANCES UNLESS OTHERWISE SPECIFIED:		NAME STACKED MODULAR JACK ASSEMBLY, 2 X 1 PORT, 8 POSITION, SHIELDED, PRINTED CIRCUIT BOARD GROUND, CATEGORY 5		
0 PLC ± -	1 PLC ± -	PRODUCT SPEC 108-1163-2		
2 PLC ± 0.25(.01)	3 PLC ± 0.13(.005)	APPLICATION SPEC 114-2048		
4 PLC ± -	ANGLES ± -	SIZE A1	CAGE CODE 00779	DRAWING NO. 5569380
MATERIAL	FINISH	WEIGHT	SCALE 4:1	SHEET 1 OF 1
CUSTOMER DRAWING		REV A3		

单击下面可查看定价，库存，交付和生命周期等信息

[>>TE Connectivity\(泰科\)](#)