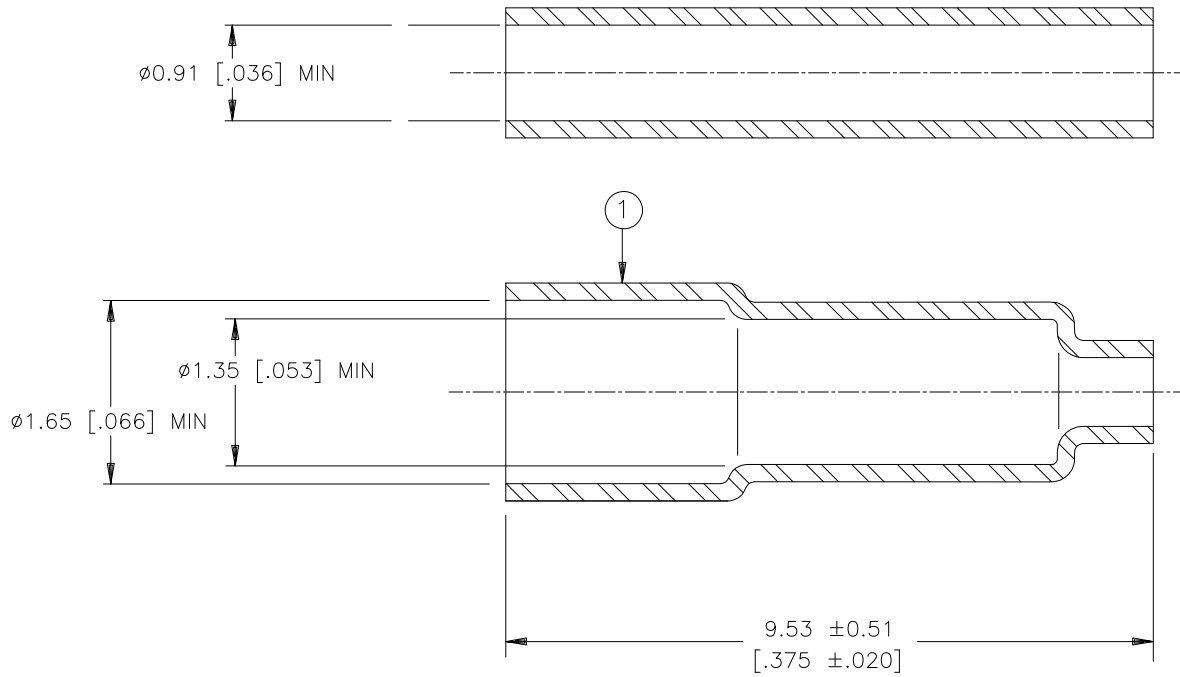


CUSTOMER DRAWING




MATERIAL:

INSULATION SLEEVE: Heat-shrinkable, transparent blue, radiation cross-linked polyvinylidene fluoride.

APPLICATION:

ISOLATING SOLDER JOINTS.

 TE Connectivity		<i>Raychem Devices</i>	TITLE: SLEEVE			
Unless otherwise specified dimensions are in millimeters. [Inches dimensions are shown in brackets]			DOCUMENT NO.: D-141-40			
TOLERANCES: 0.00 N/A 0.0 N/A 0 N/A	ANGLES: N/A ROUGHNESS IN MICRON	Tyco Electronics reserves the right to amend this drawing at any time. Users should evaluate the suitability of the product for their application.		REVISION: A	DATE: April 04, 2014	
PREPARED BY: TNGUYEN	REVISED PER: ECO-14-005172	DWG FILED: D-141-20.doc	CAGE CODE : 06090	SCALE: N/A	SIZE: A	SHEET: 1 of 1

© 2014 Tyco Electronics Corporation. All rights reserved.

If this document is printed it becomes uncontrolled. Check for the latest revision.

单击下面可查看定价，库存，交付和生命周期等信息

[>>TE Connectivity\(泰科\)](#)