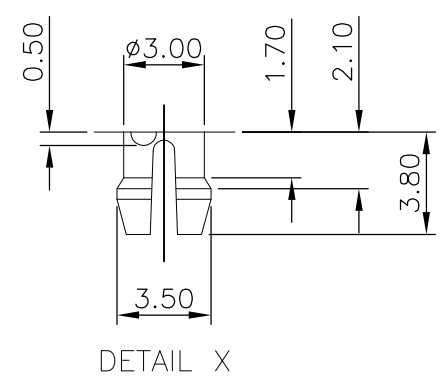
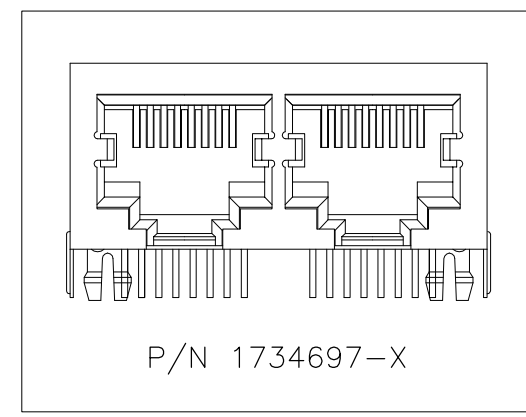
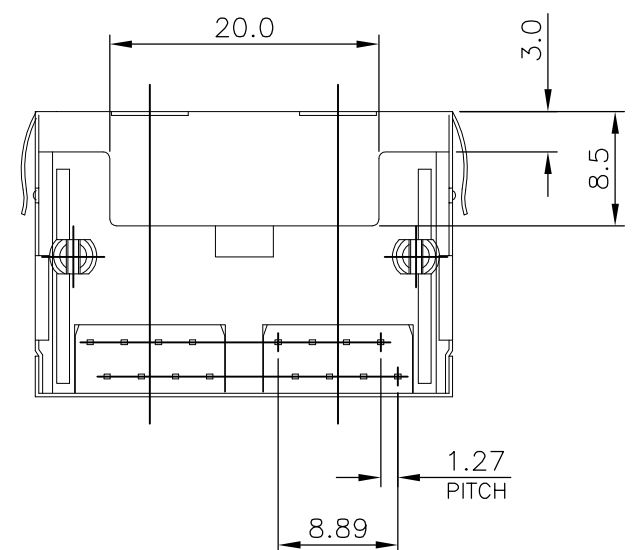
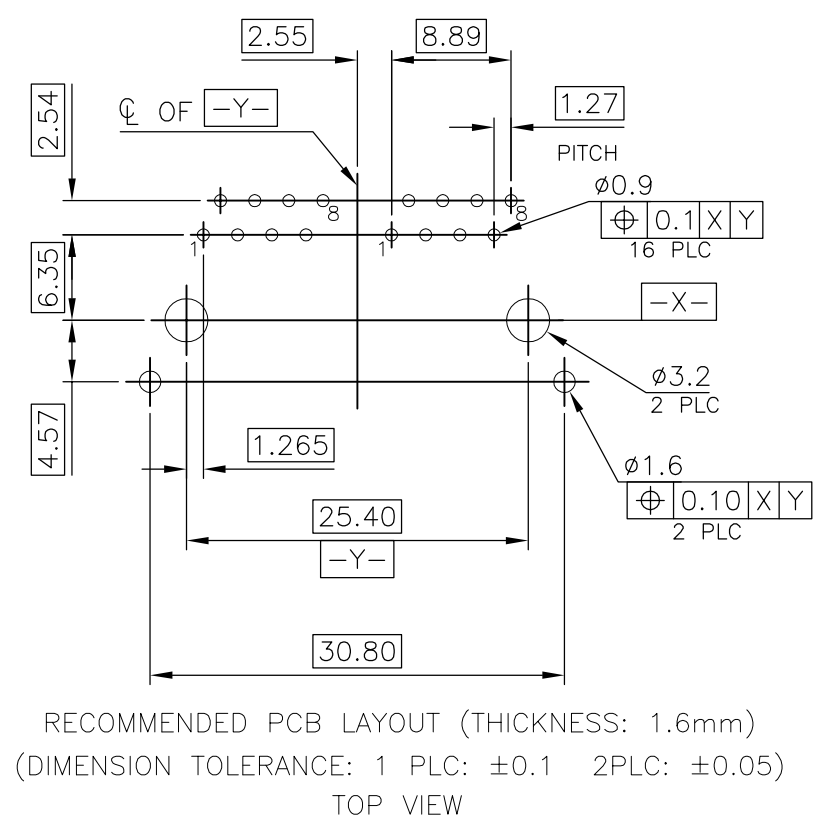
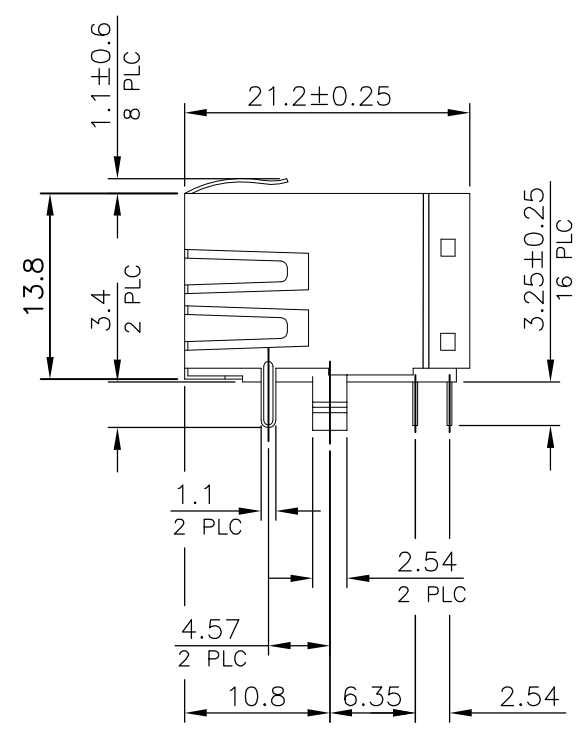
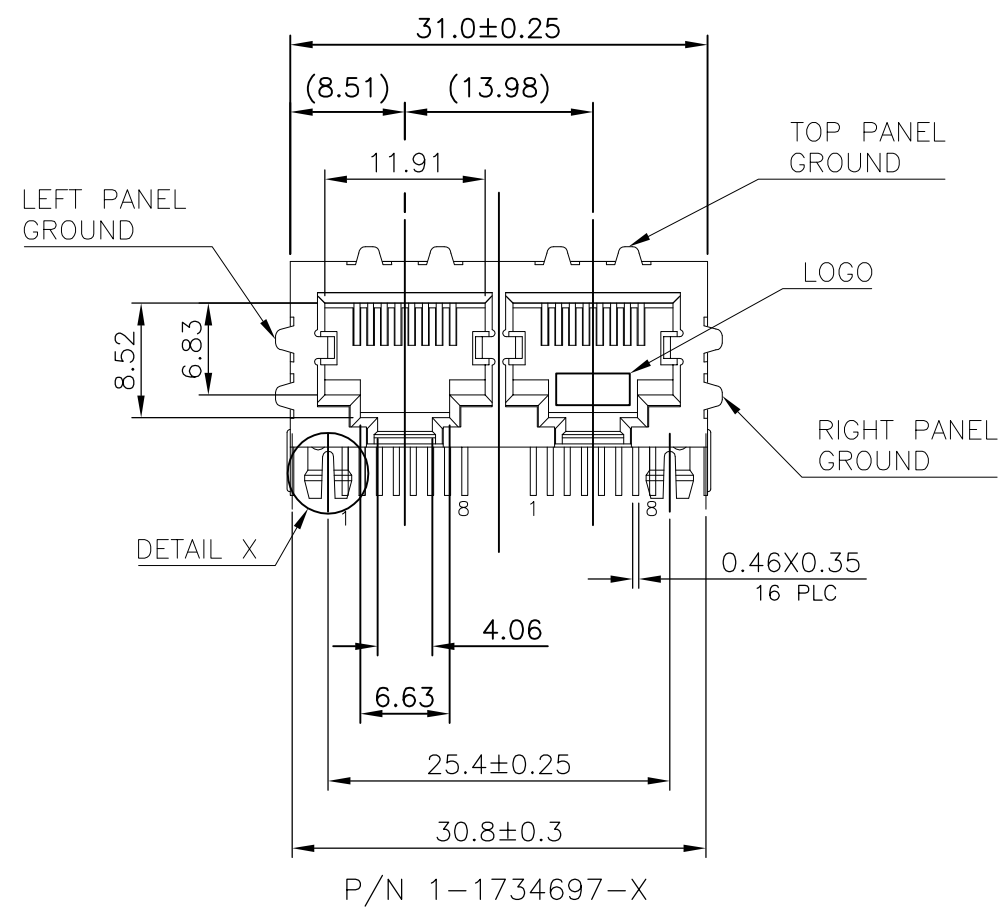


THIS DRAWING IS UNPUBLISHED. RELEASED FOR PUBLICATION
 © COPYRIGHT - TE Connectivity ALL RIGHTS RESERVED.

REVISIONS				
P	LTR	DESCRIPTION	DATE	APVD
E		ECO-17-012343	30NOV2017	LL SH



NOTE:
 1. MATERIAL:
 HOUSING: PBT WITH 30% GF, UL94 V-0, COLOR: BLACK.
 CONTACTS: PHOSPHOR BRONZE.
 SHELL: BRASS.
 2. FINISH:
 CONTACTS: (SEE TABLE) GOLD PLATED ON CONTACT AREA, GOLD FLASH ON SOLDER TAIL, WITH ENTIRE CONTACT UNDERPLATED 1.27um [50u"] MIN. NICKEL.
 SHELL: 0.508um [20u"] MIN. NICKEL PLATED.
 3. WAVE SOLDER CAPABLE TO 240°C PER TE SPEC 109-202, CONDITION B.

OBSOLETE	W	1.27um [50u"]	1-1734697-4
		0.762um [30u"]	1-1734697-3
		0.381um [15u"]	1-1734697-2
OBSOLETE	W/O	0.152um [6u"]	1-1734697-1
		1.27um [50u"]	1-1734697-4
		0.762um [30u"]	1-1734697-3
		0.381um [15u"]	1-1734697-2
		0.152um [6u"]	1-1734697-1
	PANEL GROUND	MIN. GOLD THICKNESS	PART NUMBER

THIS DRAWING IS A CONTROLLED DOCUMENT.		DWN T. KUO 09JUL2008		
		CHK A. WU 09JUL2008		
DIMENSIONS: mm		APVD W. KODAMA 09JUL2008	NAME	
TOLERANCES UNLESS OTHERWISE SPECIFIED:		PRODUCT SPEC	MODULAR JACK CONNECTOR	
0 PLC ± -		108-57535	RJ45, 8P8C, TAB DOWN, 1X2 PORTS	
1 PLC ± 0.3		APPLICATION SPEC	SHIELDED, DIP TYPE	
2 PLC ± 0.2			SIZE	CAGE CODE
3 PLC ± 0.15			A3	00779
4 PLC ± -			DRAWING NO	RESTRICTED TO
ANGLES ± 3'			C-1734697	-
MATERIAL SEE NOTE	FINISH SEE NOTE	WEIGHT 12	SCALE 1:1 SHEET 1 OF 2 REV E	
		CUSTOMER DRAWING		

4

3

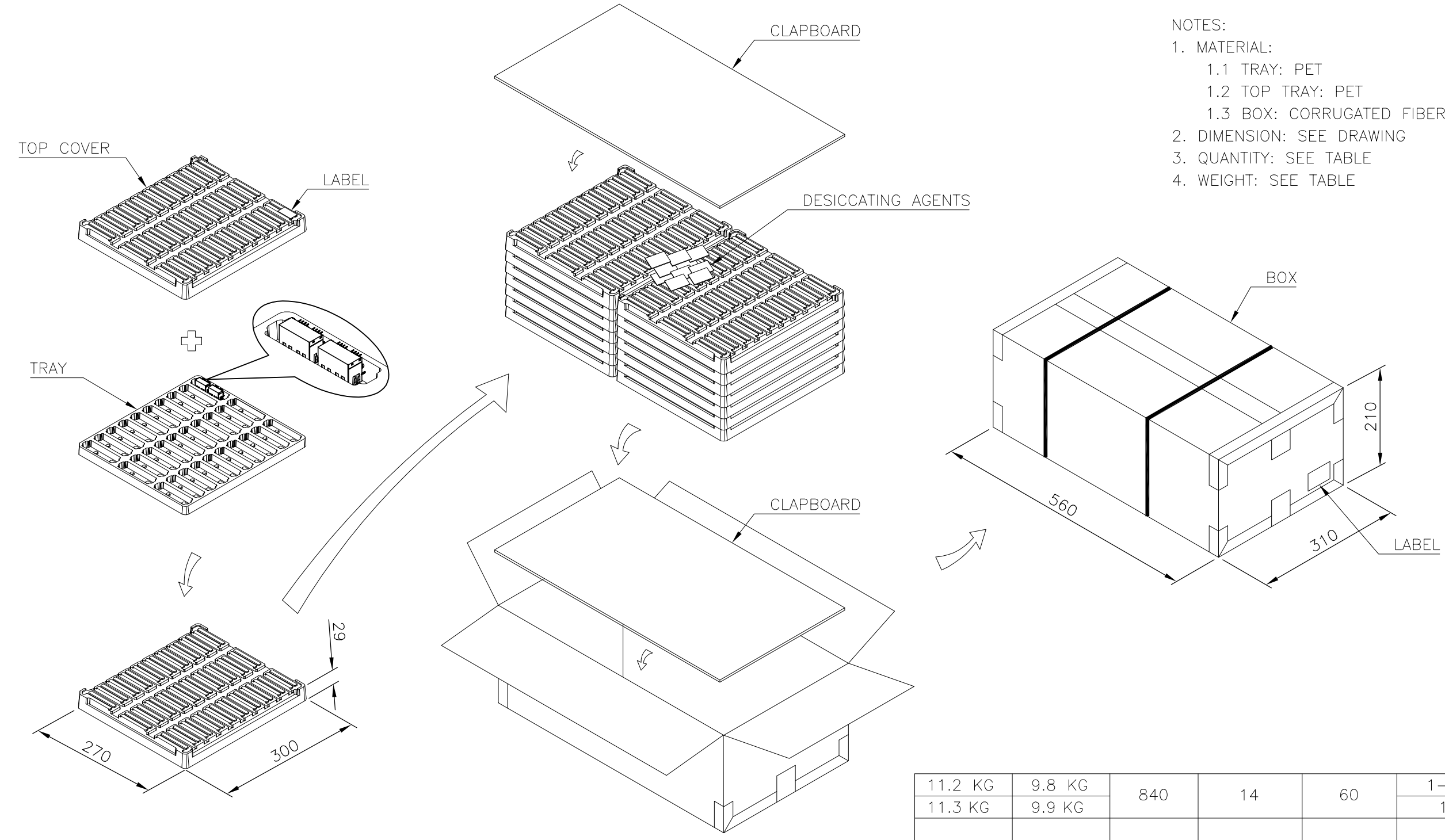
2

1

THIS DRAWING IS UNPUBLISHED. RELEASED FOR PUBLICATION
 © COPYRIGHT - TE Connectivity ALL RIGHTS RESERVED.

REVISIONS					
P	LTR	DESCRIPTION	DATE	DWN	APVD
-	-	SEE SHEET 1	-	-	-

- NOTES:
- MATERIAL:
 - 1.1 TRAY: PET
 - 1.2 TOP TRAY: PET
 - 1.3 BOX: CORRUGATED FIBER.
 - DIMENSION: SEE DRAWING
 - QUANTITY: SEE TABLE
 - WEIGHT: SEE TABLE



11.2 KG	9.8 KG	840	14	60	1-1734697-X
11.3 KG	9.9 KG				1734697-X
WEIGHT (REF.)	WEIGHT (REF.)	PCS/BOX	TRAYS/BOX	PCS/TRAY	PART NUMBER

THIS DRAWING IS A CONTROLLED DOCUMENT.		DWN T. KUO 09JUL2008														
DIMENSIONS: mm		CHK A. WU 09JUL2008														
		APVD W. KODAMA 09JUL2008														
<table border="1"> <thead> <tr> <th colspan="2">TOLERANCES UNLESS OTHERWISE SPECIFIED:</th> </tr> </thead> <tbody> <tr><td>0 PLC</td><td>± -</td></tr> <tr><td>1 PLC</td><td>± 0.3</td></tr> <tr><td>2 PLC</td><td>± 0.2</td></tr> <tr><td>3 PLC</td><td>± 0.15</td></tr> <tr><td>4 PLC</td><td>± -</td></tr> <tr><td>ANGLES</td><td>± 3'</td></tr> </tbody> </table>		TOLERANCES UNLESS OTHERWISE SPECIFIED:				0 PLC	± -	1 PLC	± 0.3	2 PLC	± 0.2	3 PLC	± 0.15	4 PLC	± -	ANGLES
TOLERANCES UNLESS OTHERWISE SPECIFIED:																
0 PLC	± -															
1 PLC	± 0.3															
2 PLC	± 0.2															
3 PLC	± 0.15															
4 PLC	± -															
ANGLES	± 3'															
MATERIAL SEE NOTE	FINISH SEE NOTE	PRODUCT SPEC 108-57535	SIZE A3	CAGE CODE 00779	DRAWING NO 1734697	RESTRICTED TO -										
CUSTOMER DRAWING			SCALE 1:1	SHEET 2 OF 2	REV E											

单击下面可查看定价，库存，交付和生命周期等信息

[>>TE Connectivity\(泰科\)](#)