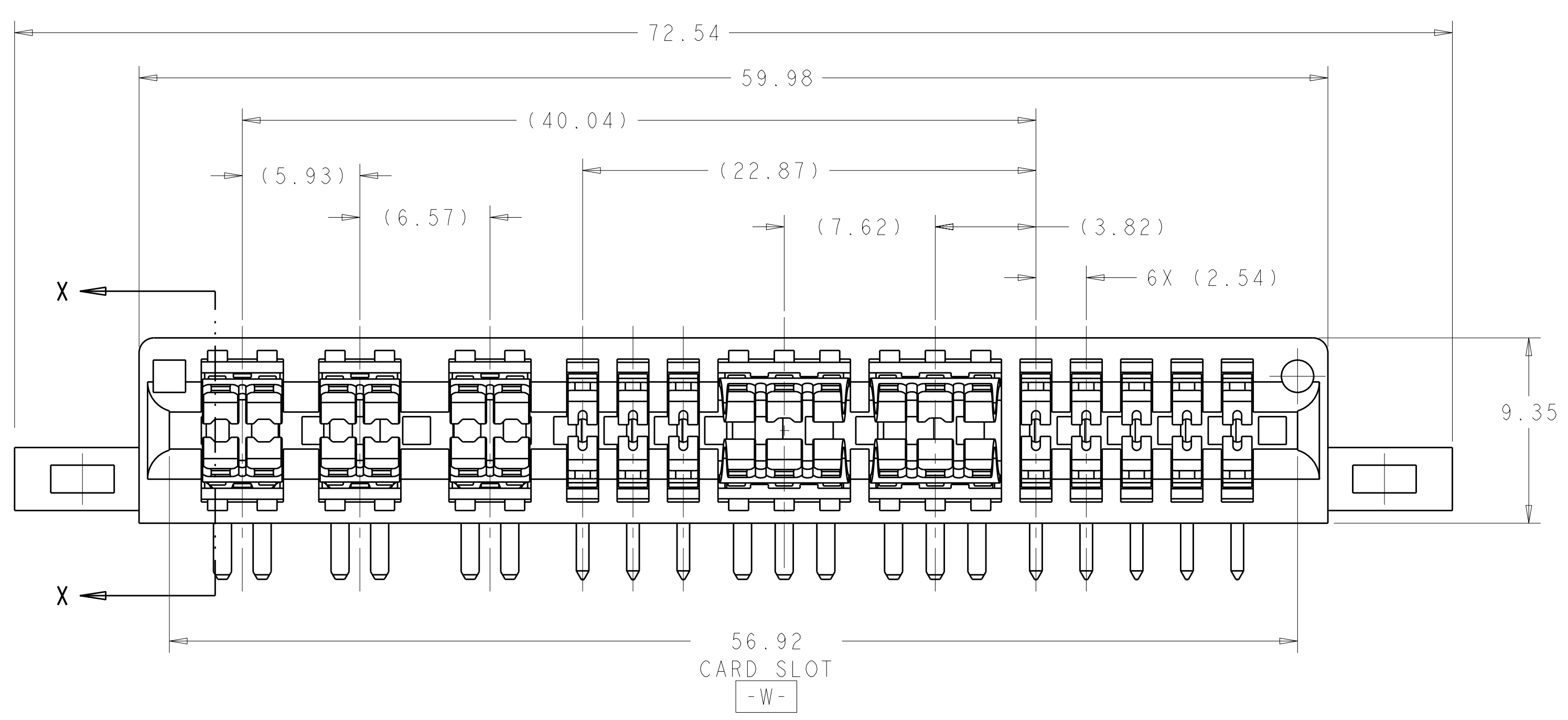
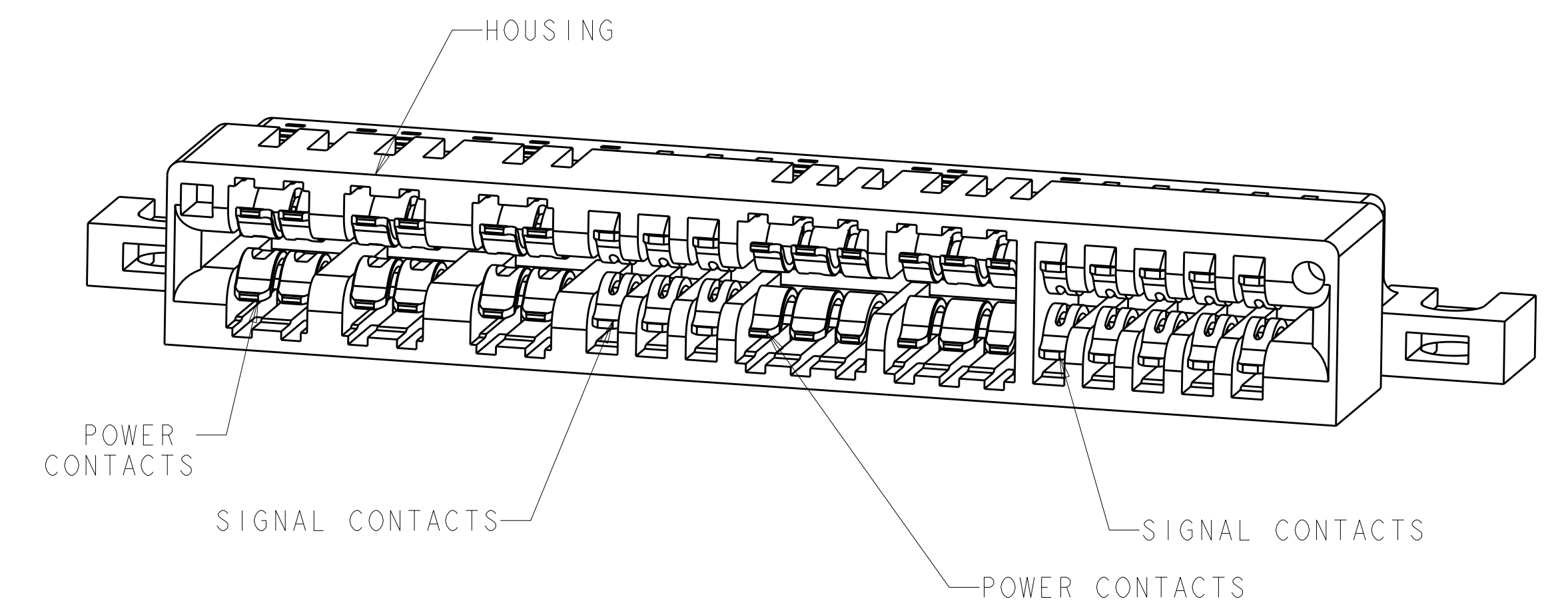
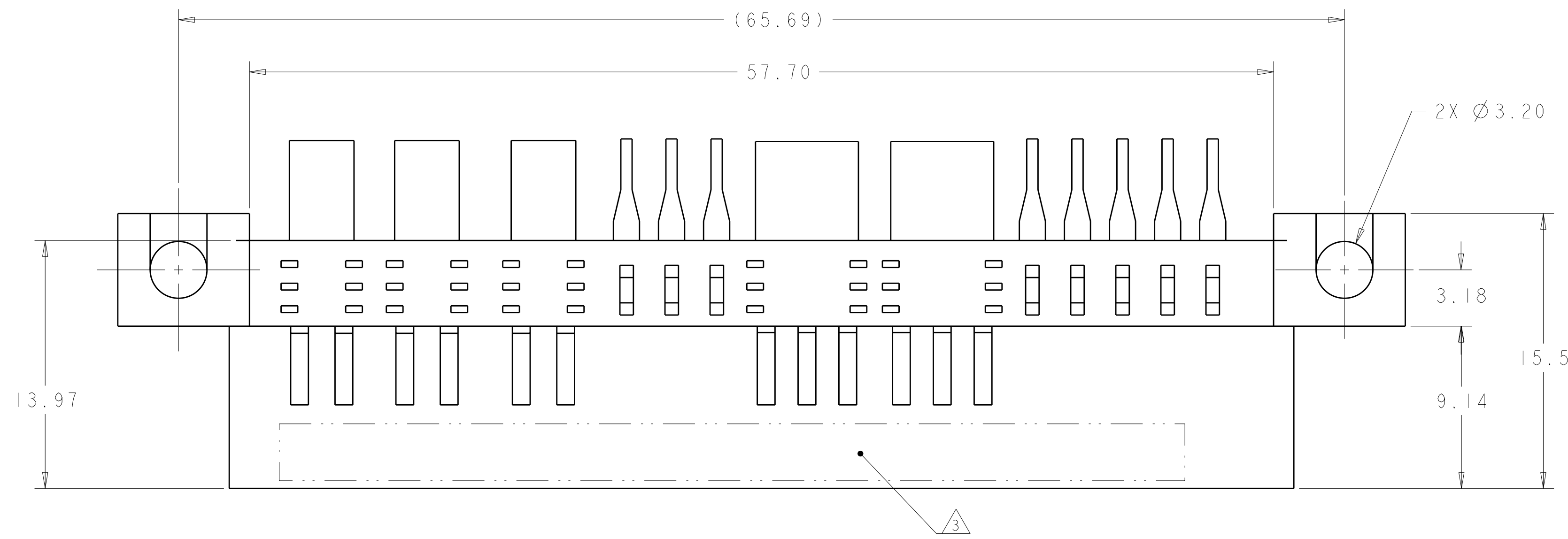
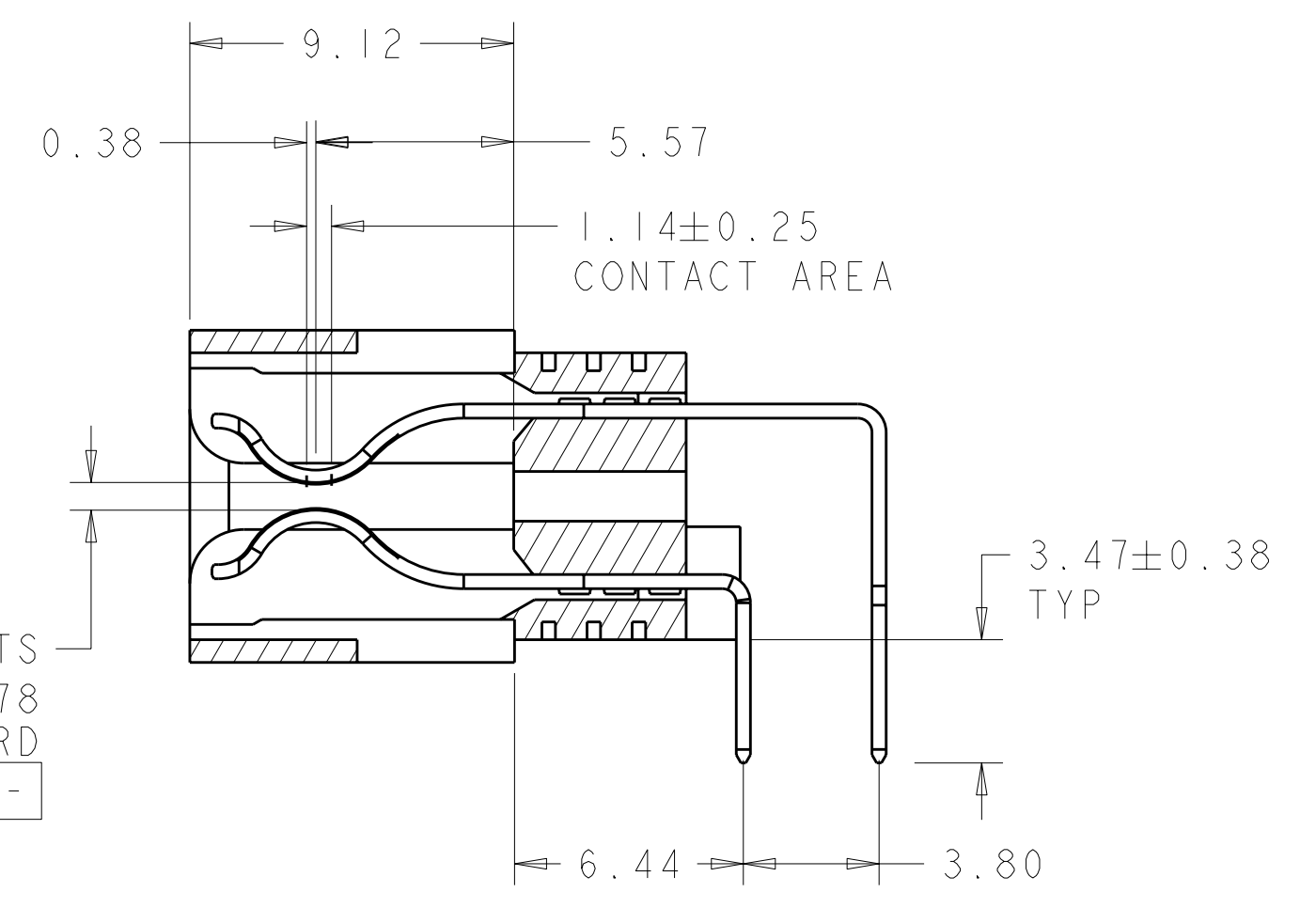


LOC	DIST	REV	DATE	DWN	APVD
GP	00	A	09DEC2009	RG	EH

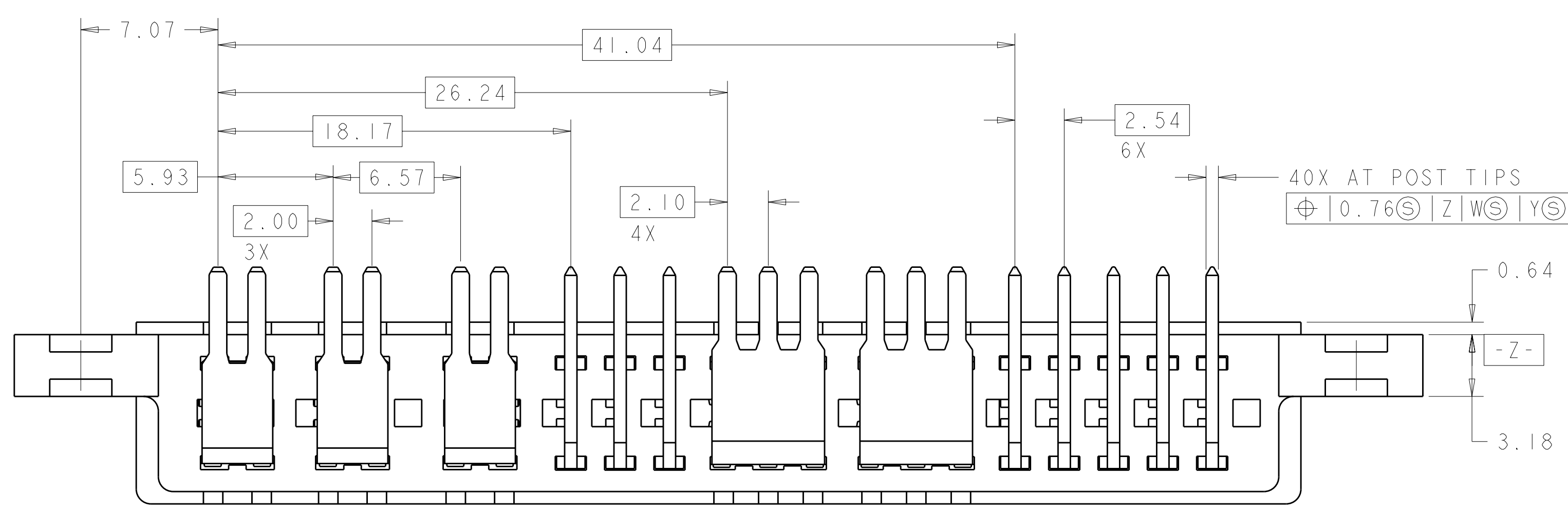


CARD SLOT ACCEPTS  
 1.37-1.78  
 PRINTED CIRCUIT BOARD  
 -Y-



SECTION X-X

- 1 MATERIAL: INSULATORS - THERMOPLASTIC, GLASS REINFORCED, COLOR: BLACK, UL94V-0 FLAMMABILITY RATED.  
 CONTACTS - HIGH CONDUCTIVITY COPPER ALLOY
- 2 FINISH: CONTACTS - GOLD PLATE 0.76µm MIN. THK., OVER NICKEL 1.27µm MIN. THK.  
 SOLDER TAILS, MATTE TIN 2.54µm MIN. THK. OVER NICKEL 1.27µm MIN THK.
- 3 MARK P/N AND DATE CODE IN APPROX. AREA SHOWN
- 4 NO BURRS AND/OR SHARP EDGES ARE PERMISSIBLE
- 5 DATUMS AND BASIC DIMENSIONS ESTABLISHED BY CUSTOMER.

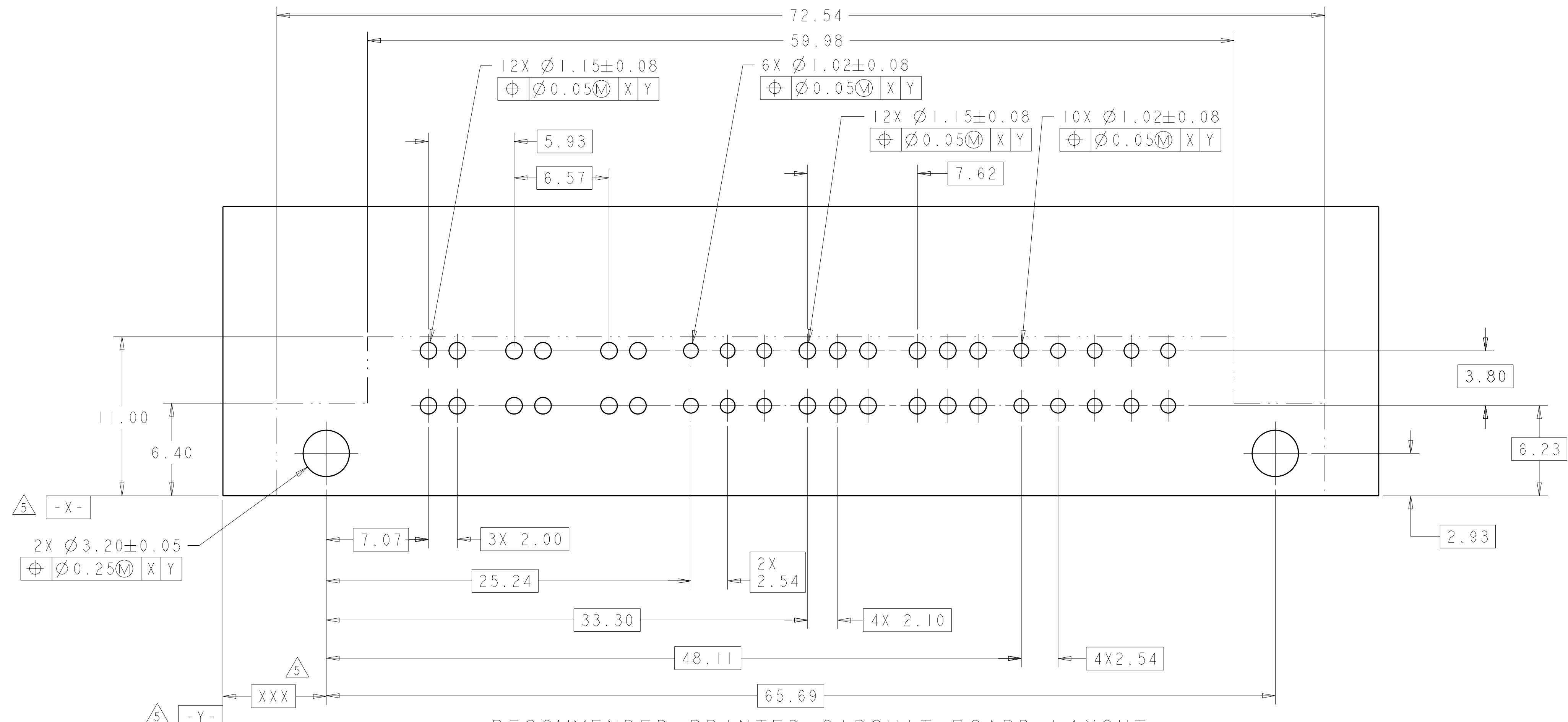


BACK VIEW

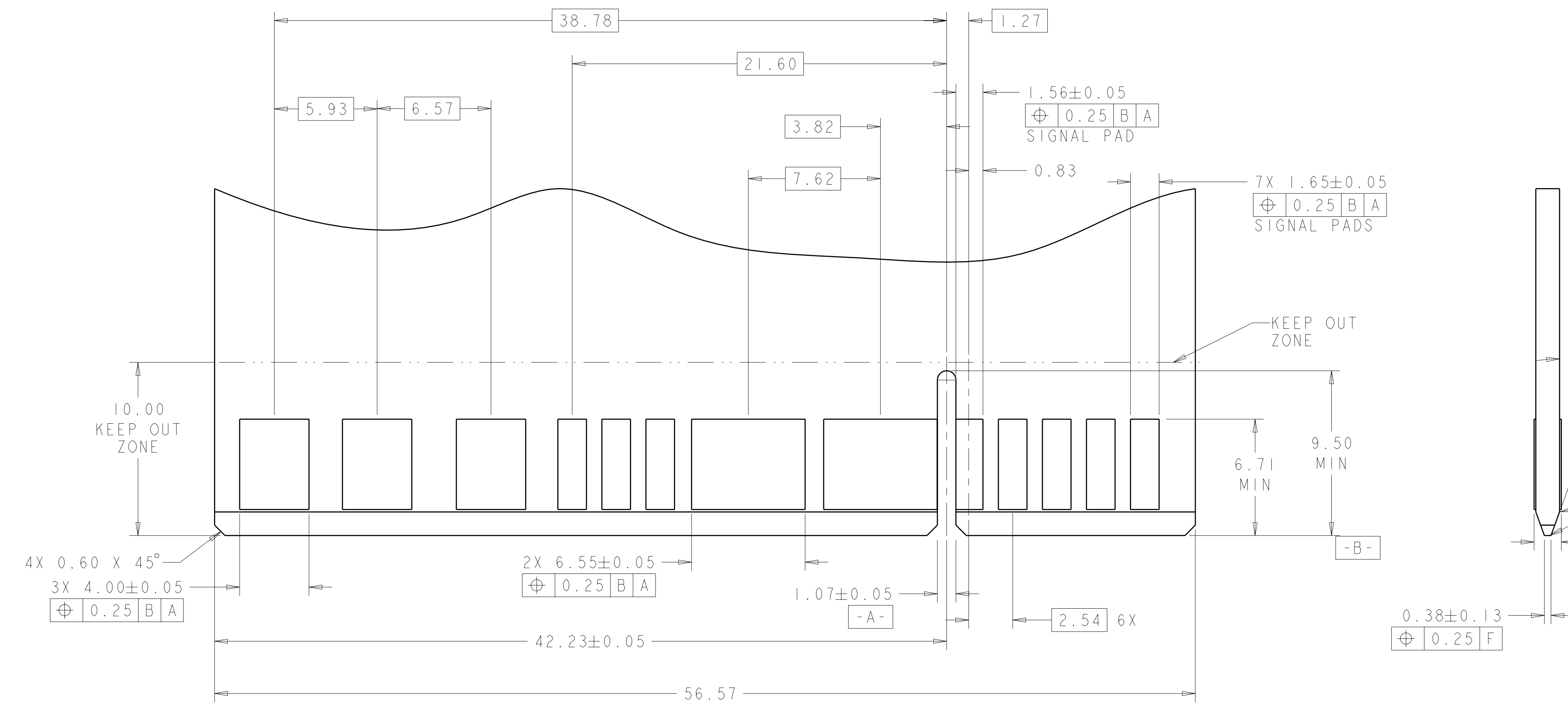
6P X 6S X 4P X 10S	2007445-1
DESCRIPTION	PART NUMBER

DIMENSIONS: mm TOLERANCES UNLESS OTHERWISE SPECIFIED: 9 PLC ±.25 5 PLC ±.25 4 PLC ±.25 ANGLES ±.3 FINISH: 1 (Material), 2 (Finish)		DWN: TBD CHK: A. FRANTUM APVD: S. FLICKINGER PRODUCT SPEC: 108-2022 APPLICATION SPEC: 114-13018 WEIGHT: - CUSTOMER DRAWING	16MAY08 16MAY08 16MAY08 108-2022 114-13018 - SCALE 5:1	Tyco Electronics Harrisburg, PA 17105-3608 NAME: S. FLICKINGER CONNECTOR ASSY, STANDARD EDGE 11 RIGHT ANGLE POWER SIZE: A   00779   C=2007445 SHEET 1 OF 2 REV A
--	--	--	--	--

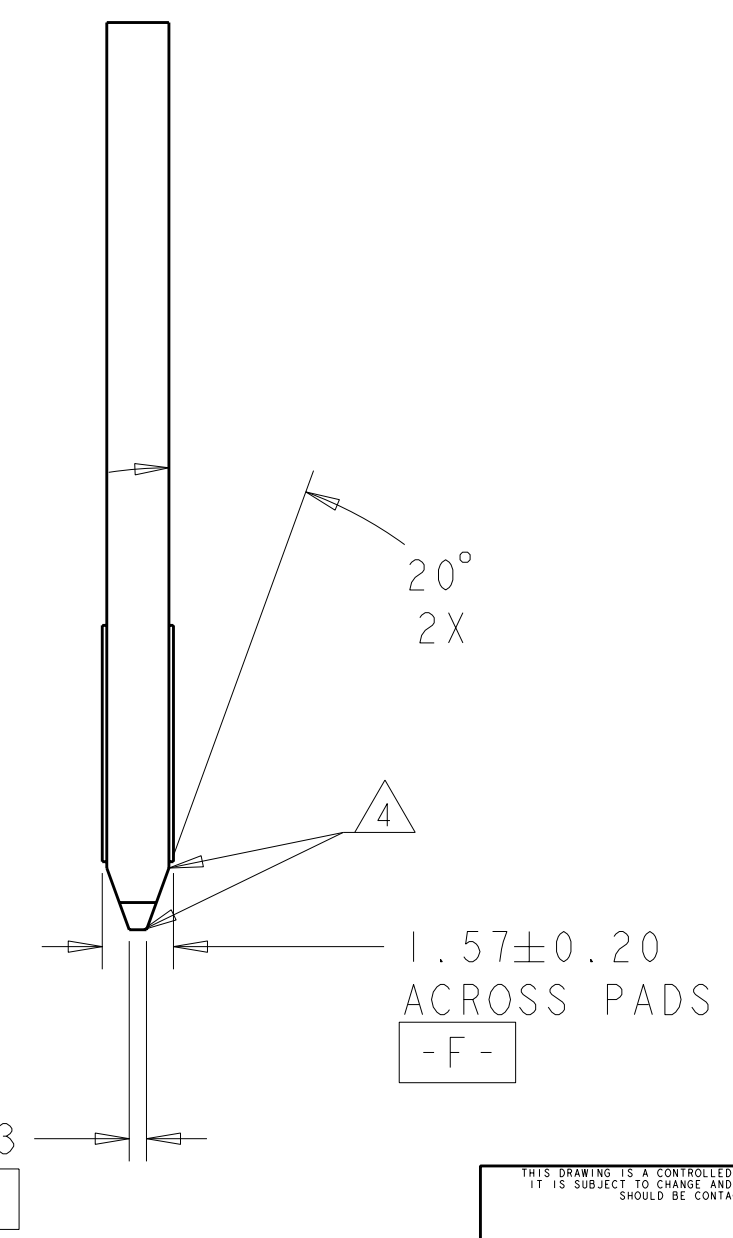
LOC	DIST	REVISIONS					
GP	00	P	LT#	DESCRIPTION	DATE	DWN	APVD
		-	-	SEE SHEET 1	-	-	-



RECOMMENDED PRINTED CIRCUIT BOARD LAYOUT  
 COMPONENT SIDE



RECOMMENDED MATING BOARD EDGE CONFIGURATION  
 TYP. BOTH SIDES



DIMENSIONS:		TOLERANCES UNLESS OTHERWISE SPECIFIED:		DWN		Tyco Electronics	
mm	9 PLC ±	PLC ±	PLC ±.25	TBD	16MAY08	Tyco Electronics Harrisburg, PA 17105-3608	
	4 PLC ±	PLC ±	PLC ±	CHK	A. FRANTUM	NAME	
	ANGLES ±	FINISH ±.3	FINISH ±	APVD	S. SLICKINGER	CONNECTOR ASSY, STANDARD EDGE 11 RIGHT ANGLE POWER	
MATERIAL		WEIGHT		PRODUCT SPEC	108-2022	SIZE	CAGE CODE
				APPLICATION SPEC	114-13018	114-13018	2007445
				CUSTOMER DRAWING		SCALE	5:1
						SHEET	2 OF 2
						REV	A

单击下面可查看定价，库存，交付和生命周期等信息

[>>TE Connectivity\(泰科\)](#)