

4

3

2

1

THIS DRAWING IS UNPUBLISHED.

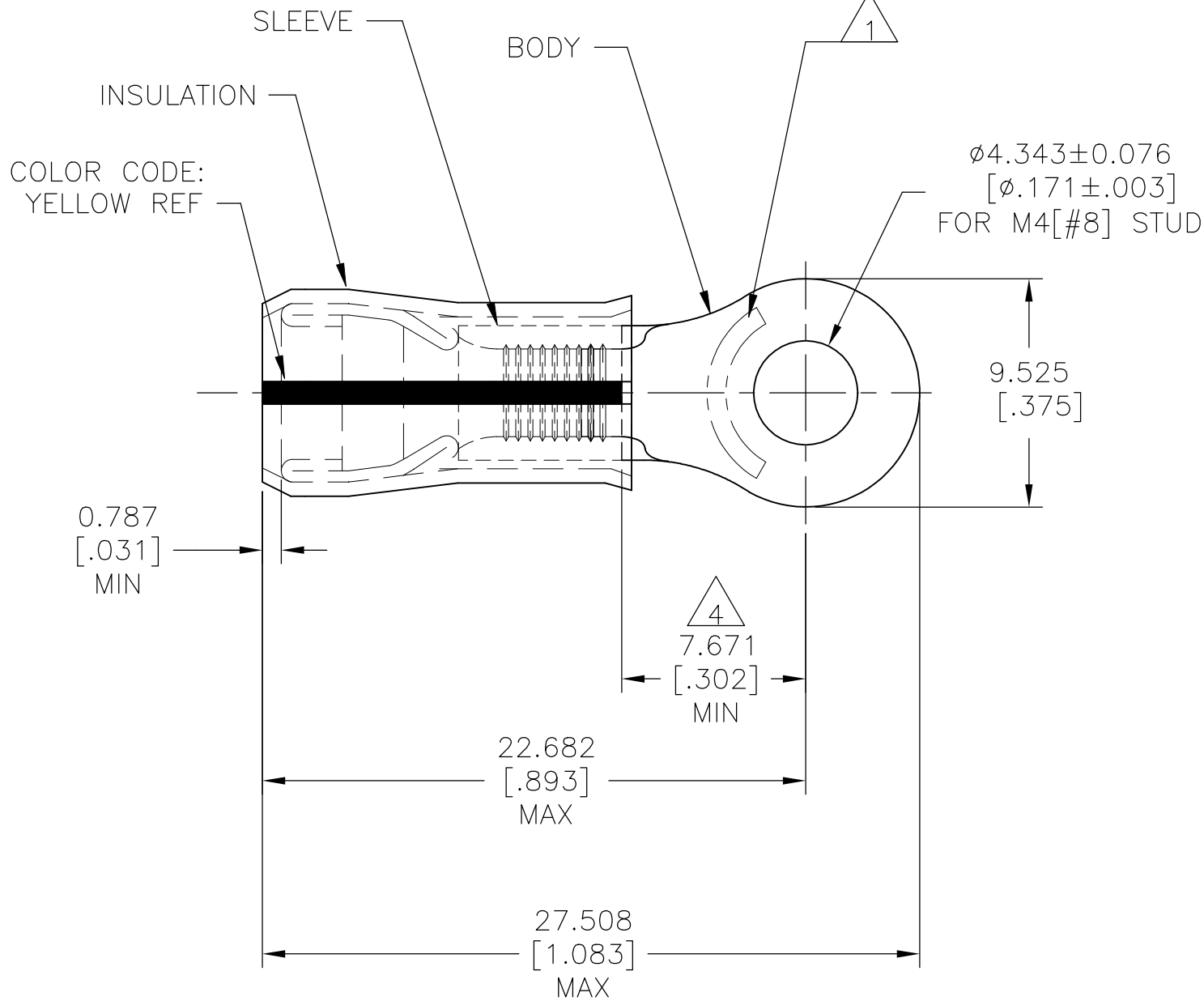
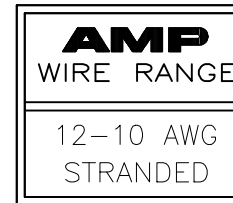
RELEASED FOR PUBLICATION

ALL RIGHTS RESERVED.

© COPYRIGHT - By -

REVISIONS

P	LTR	DESCRIPTION	DATE	DWN	APVD
	S3	REVISED PER ECO-12-007718	08MAY12	KH	DR
	S4	REVISED PER ECO-17-008114	29MAY2018	RS	DR



- 1 STAMP AMP 12-10\* APPROX AS SHOWN
- 2 WIRE INSULATION DIA: "A" (SEE TABLE)
- 3 BODY MATERIAL THK: 0.991±0.051[.039±.002]
- 4 APPLIES FROM EDGE OF METAL WIRE BARREL TO CENTER OF STUD HOLE
- 5 MEETS M7928/4-156, CLASS 1 & 2  
MEETS M7928/13-156, CLASS 1 & 2
- 6 MEETS M7928/4-156, CLASS 2
- 7 MATERIAL:  
BODY & SLEEVE: COPPER PER ASTM B152  
INSULATION: PVF2
- 8 FINISH:  
BODY & SLEEVE: TIN-LEAD (93-7) PLATE  
PER ASTM B545  
(3% MIN LEAD CONTENT)  
INSULATION: COLOR - NATURAL

2500	ON TAPE	3.810-5.842	6 53424-2
500	LOOSE PIECE	[.150-.230]	5 53424-1
QTY	PACKAGE TYPE	"A"	PART NO

AMP INCORPORATED  
CUSTOMER SERVICE SYSTEMS

MAX RECOMMENDED OPERATING TEMPERATURE:

150°C [302°F] MAX

VOLTAGE RATING:

-

CIRCULAR MIL AREA:

2.62-6.64mm² [5,180-13,100] STRANDED

FOR ADDITIONAL PRODUCT INFORMATION OR COPIES OF DRAWINGS AND TECHNICAL DOCUMENTS

PRODUCT INFORMATION CENTER  
1-800-522-6752

FOR APPLICATION

TOOLING ASSISTANCE CENTER

TOOLING INFORMATION

1-800-722-1111

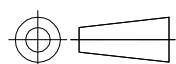
FOR ORDER ENTRY

1-800-526-5142

THIS DRAWING IS A CONTROLLED DOCUMENT FOR AMP INCORPORATED. IT IS SUBJECT TO CHANGE AND THE CONTROLLING ENGINEERING ORGANIZATION SHOULD BE CONTACTED FOR THE LATEST REVISION.

THIS DRAWING IS A CONTROLLED DOCUMENT.

DIMENSIONS:  
mm [INCHES]



TOLERANCES UNLESS OTHERWISE SPECIFIED:

0 PLC	± -
1 PLC	± -
2 PLC	± -
3 PLC	± 0.127[.005]
4 PLC	± -
ANGLES	± -

MATERIAL



FINISH



DWN 16OCT07

JR RUTH

CHK 16OCT07

T MICHIELUTTI

APVD 16OCT07

T MICHIELUTTI

PRODUCT SPEC

---

APPLICATION SPEC

---

WEIGHT

---

CUSTOMER DRAWING



TE Connectivity Ltd.

NAME  
TERMINAL, RING TONGUE,  
PVF2, P.I.D.G.  
WIRE SIZE: 12-10 AWG

SIZE CAGE CODE DRAWING NO RESTRICTED TO

A3 00779 C-53424

SCALE 4:1 SHEET 1 OF 1 REV S4

单击下面可查看定价，库存，交付和生命周期等信息

[>>TE Connectivity\(泰科\)](#)