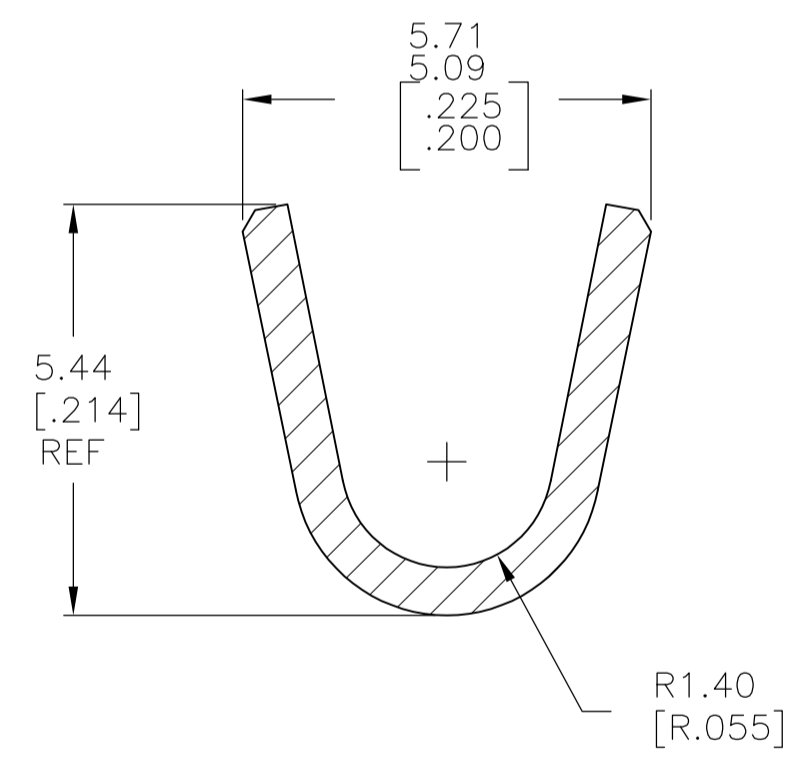
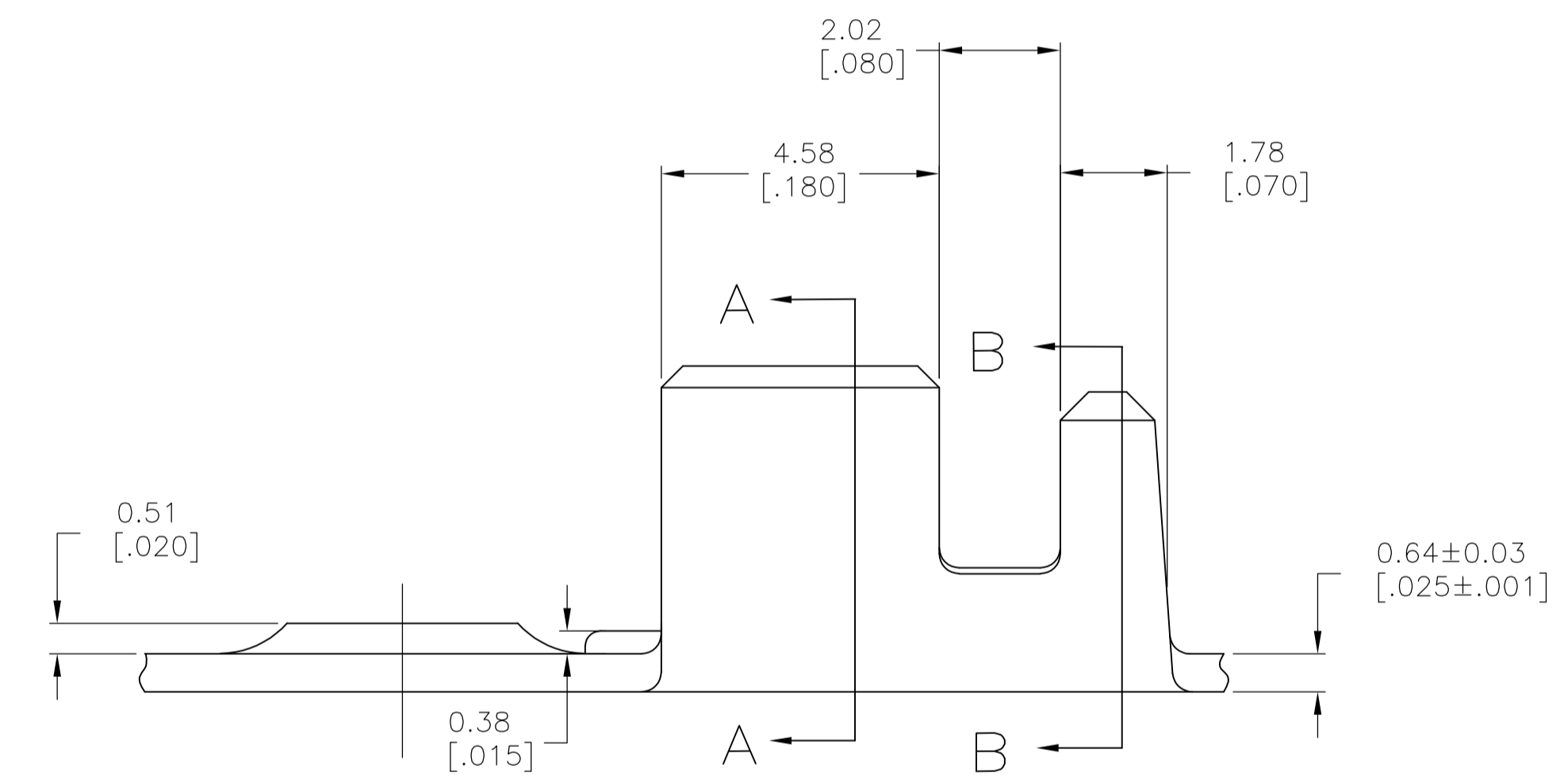
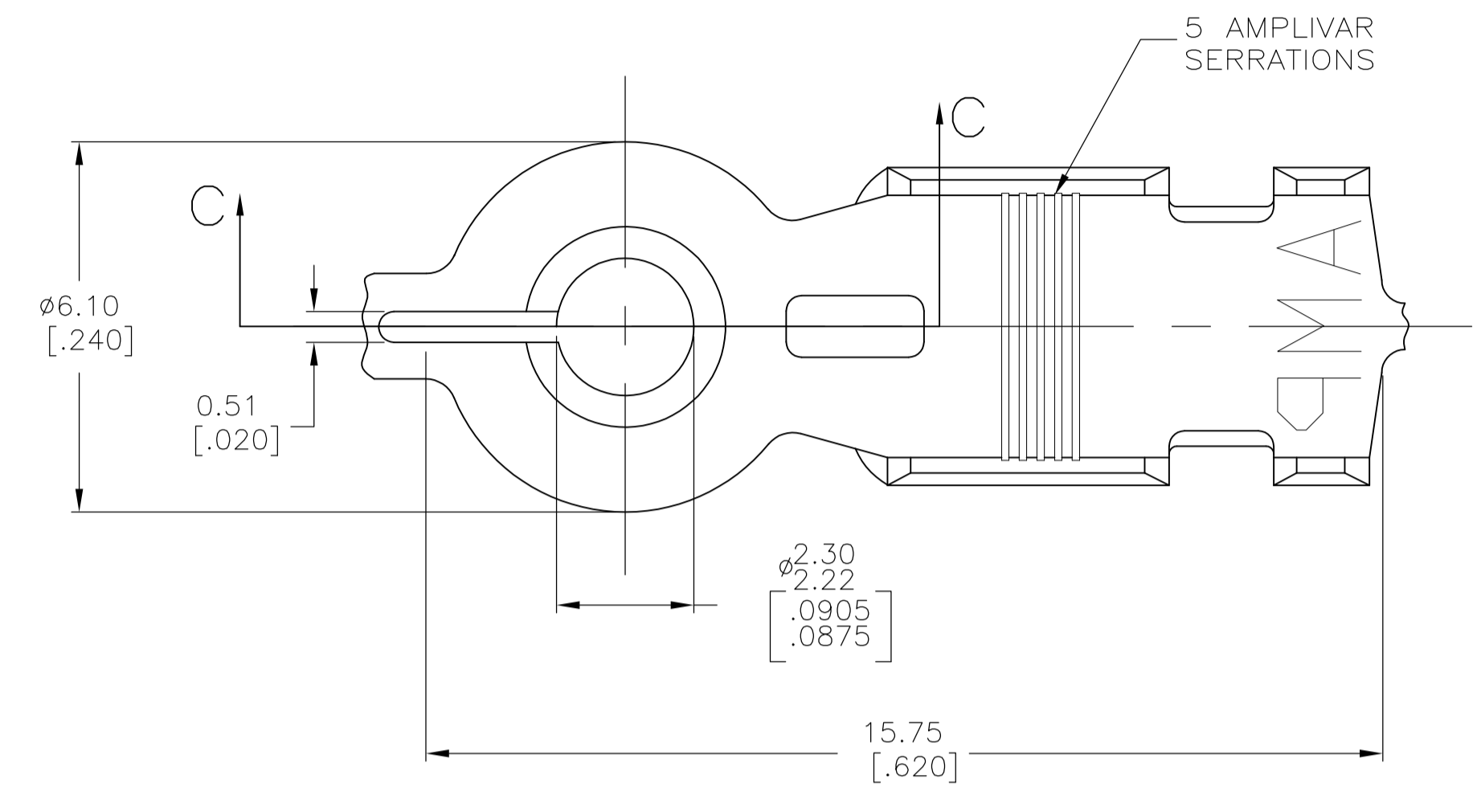
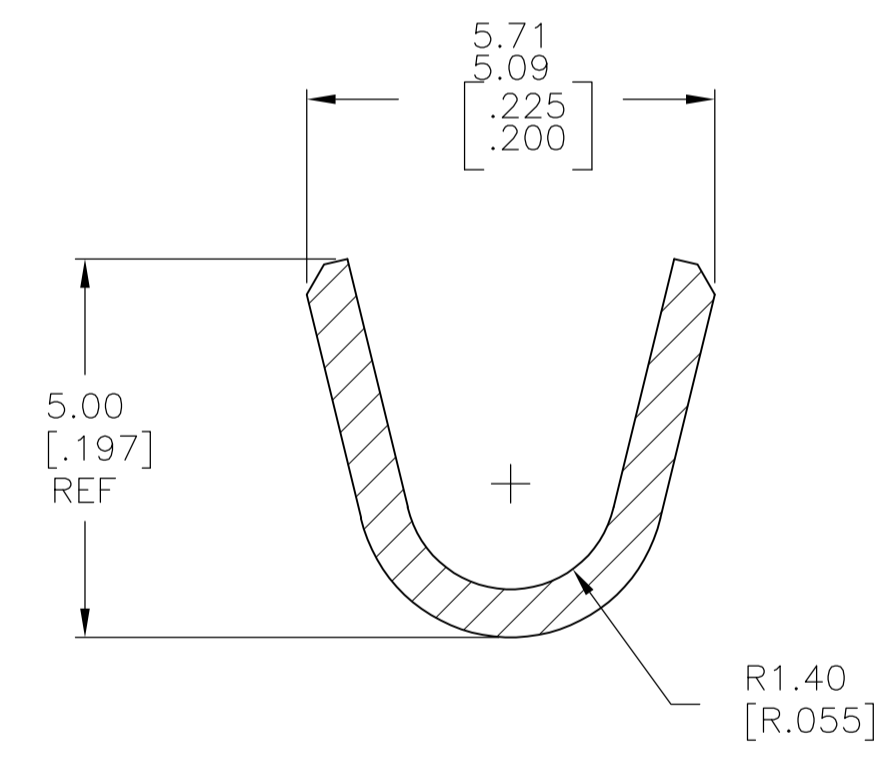


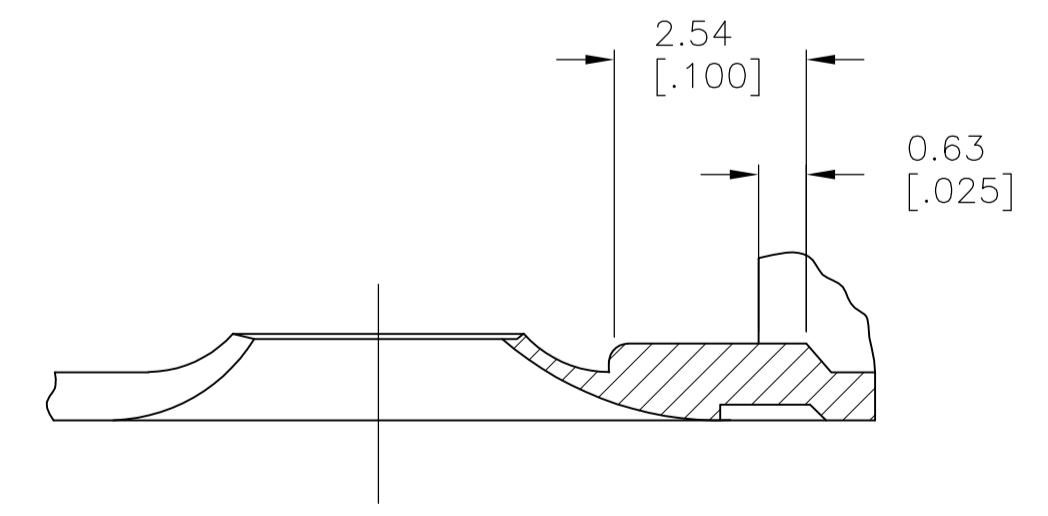
1 WIRE RANGE: (2) 14 1/2 MAG



SECTION A-A



SECTION B-B



SECTION C-C

OBSOLETE	505036-3
PRE TIN	505036-1
FINISH	PART NO

THIS DRAWING IS A CONTROLLED DOCUMENT.		DIN RAGHAVENDRA 07MAY08		TE Connectivity	
DIMENSIONS: mm [INCHES]		CHK JEFF RUTH 07MAY08		NAME AMPLIVAR ALTERNATOR EYELET TERMINAL	
TOLERANCES UNLESS OTHERWISE SPECIFIED:		APPD JEFF RUTH 07MAY08		PRODUCT SPEC	
0. PLC ± -		APPLICATION SPEC		SIZE CAGE CODE DRAWING NO	
1. PLC ± -		WEIGHT		A1 00779 C=505036	
2. PLC ± -		CUSTOMER DRAWING		SCALE 10:1 SHEET 1 OF 1 REV J	
3. PLC ± 0.38 [.015]					
4. PLC ± -					
ANGLES ± 1° 0'					
MATERIAL BRASS		FINISH SEE TABLE			

单击下面可查看定价，库存，交付和生命周期等信息

[>>TE Connectivity\(泰科\)](#)