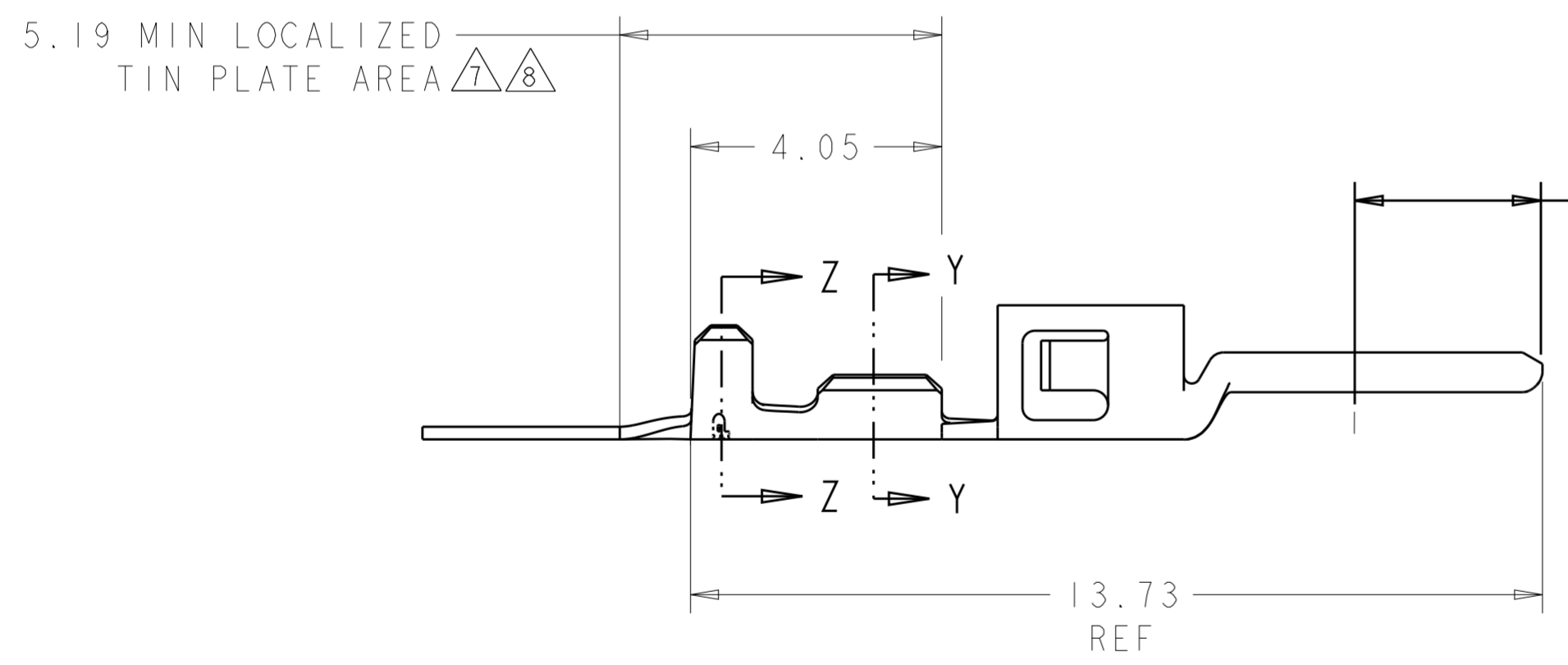
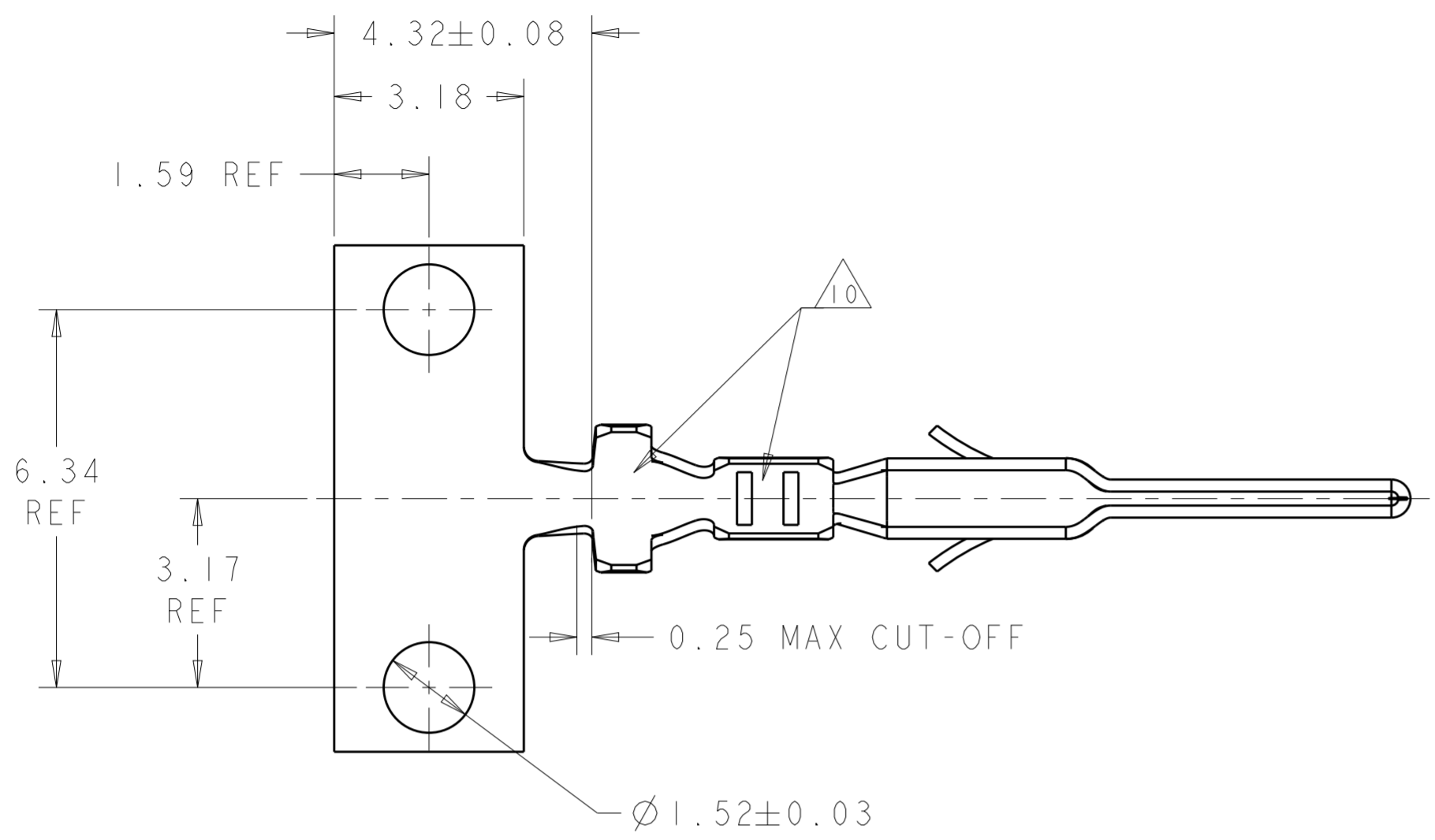
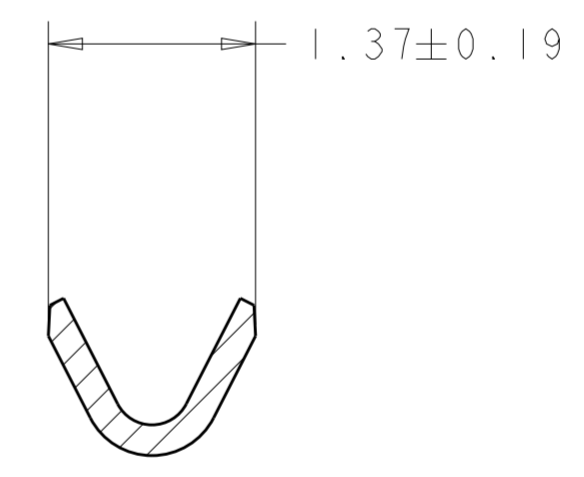
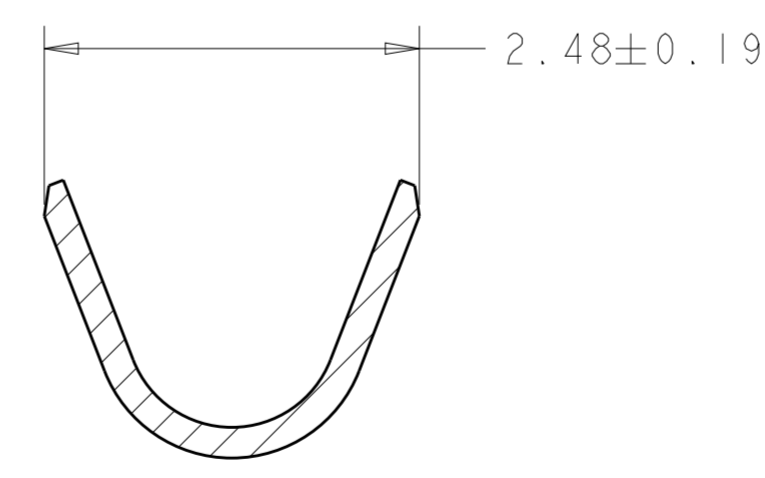


THIS DRAWING IS UNPUBLISHED. RELEASED FOR PUBLICATION 20
 © COPYRIGHT 20 BY - ALL RIGHTS RESERVED.

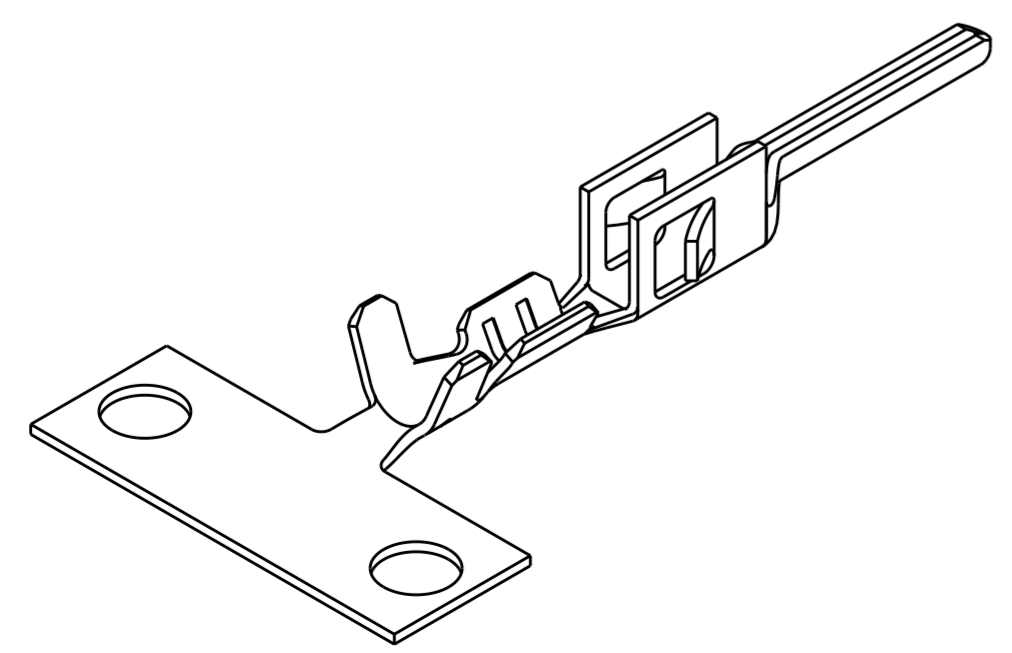
REVISIONS				
P	LTR	DESCRIPTION	DATE	APVD
D	I	REVISED PER ECO-19-013973	16SEP2019	RS WLS
E		REVISED PER ECO-20-013993	01OCT2020	WLS VS



3.00 MIN LOCALIZED GOLD PLATE AREA $\triangle 7$ $\triangle 8$



- $\triangle 1$ 2.54-6.35 μ m MIN BRIGHT TIN/LEAD ENTIRE STOCK OVER 1.27-3.81 μ m MIN NICKEL ENTIRE STOCK.
- $\triangle 2$ 0.38 μ m MIN GOLD IN LOCALIZED GOLD PLATE AREA, 2.54-6.35 μ m MIN BRIGHT TIN/LEAD IN LOCALIZED TIN/LEAD PLATE AREA, BOTH OVER 1.27-3.81 μ m MIN NICKEL ON ENTIRE STOCK.
- $\triangle 3$ 0.76 μ m MIN GOLD IN LOCALIZED GOLD PLATE AREA, 2.54-6.35 μ m MIN BRIGHT TIN/LEAD IN LOCALIZED TIN/LEAD PLATE AREA, BOTH OVER 1.27-3.81 μ m MIN NICKEL ON ENTIRE STOCK.
- 4. WIRE RANGE 26-30 AWG.
- 5. INSULATION RANGE 0.89-1.52
- $\triangle 6$ 2.54-6.35 μ m MIN BRIGHT TIN ENTIRE STOCK OVER 1.27-3.81 μ m MIN NICKEL ENTIRE STOCK.
- $\triangle 7$ 0.38 μ m MIN GOLD IN LOCALIZED GOLD PLATE AREA, 2.54-6.35 μ m MIN BRIGHT TIN IN LOCALIZED TIN PLATE AREA, BOTH OVER 1.27-3.81 μ m MIN NICKEL ON ENTIRE STOCK.
- $\triangle 8$ 0.76 μ m MIN GOLD IN LOCALIZED GOLD PLATE AREA, 2.54-6.35 μ m MIN BRIGHT TIN IN LOCALIZED TIN PLATE AREA, BOTH OVER 1.27-3.81 μ m MIN NICKEL ON ENTIRE STOCK.
- $\triangle 9$ NOTE DELETED.
- $\triangle 10$ TIN PLATING THICKNESS INSIDE WIRE AND INSULATION BARRELS TO BE 1.27 μ m MIN.



	$\triangle 8$	1-794609-2
	$\triangle 7$	1-794609-1
	$\triangle 6$	1-794609-0
SUPERSEDED BY	$\triangle 3$	794609-3
SUPERSEDED BY	$\triangle 2$	794609-2
SUPERSEDED BY	$\triangle 1$	794609-1
REMARKS	FINISH	PART NUMBER

THIS DRAWING IS A CONTROLLED DOCUMENT.		DWN W J RUDY 29AUG2000	TE Connectivity	
DIMENSIONS: mm		CHK W DAVIS 29AUG2000		
TOLERANCES UNLESS OTHERWISE SPECIFIED:		APVD W DAVIS 29AUG2000	NAME PLUG CONTACT, CRIMP SNAP, 26-30 AWG, MICRO MATE-N-LOK(TM)	
0 PLC	±	PRODUCT SPEC	-	
1 PLC	±	APPLICATION SPEC	-	
2 PLC	±0.13	108-1836	SIZE A2	CAGE CODE 00779
3 PLC	±	114-13000	DRAWING NO	C-794609
4 PLC	±	WEIGHT -	RESTRICTED TO	
ANGLES	±	CUSTOMER DRAWING	SCALE 10:1	SHEET 1 OF 1
FINISH -	-		REV	E

单击下面可查看定价，库存，交付和生命周期等信息

[>>TE Connectivity\(泰科\)](#)