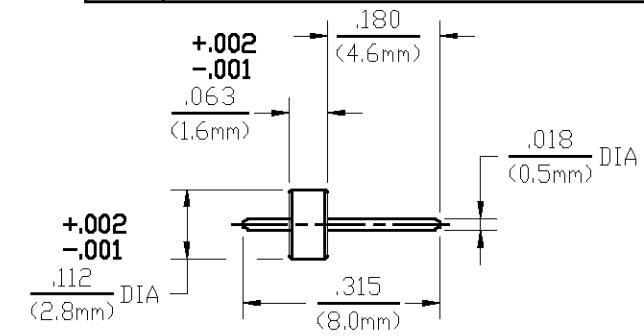
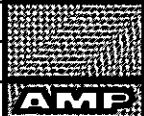


REVISIONS			
REV	DESCRIPTION	DATE	APPROVED
01 0	RELEASED	2/15/91	PCW
B	REVISED PER ECN 0U20-0262-01	G.V. 12/12/02	JGH



HOUSING	STAINLESS STEEL PER ASTM-A484 AND ASTM-A582, TYPE 303	PASSIVATE PER ASTM-A380
DIELECTRIC	TFE FLUOROCARBON PER ASTM-D-1457	N/A
CENTER CONTACT	BERYLLIUM COPPER PER ASTM B 196, ALLOY C17300, CONDITION H	GOLD PLATE PER MIL-G-45204 OVER COPPER PLATE PER MIL-C-14550
CONTACT EXT. BUSHING	IRON-NICKEL ALLOY PER MIL-I-23011 CLASS 1 (KOVAR)	GOLD PLATE PER MIL-G-45204
GASKET	CONDUCTIVE SILVER/SILICONE ELASTOMERS	N/A
O-RING	FLOUROSILICONE PER MIL-R-25988, CLASS I, TYPE I.	N/A
HERMETIC SEAL	GLASS BEAD	N/A

ELECTRICAL	MECHANICAL	ENVIRONMENTAL
Nominal Impedance (Ohms) <u>50</u>	Interface Dimensions Per Catalog	TEMPERATURE RATING <u>-65° TO +125°C</u>
Frequency Range (GHz) DC to <u>22</u>	Mating Characteristics:	Vibration MIL-STD-202, Method 204, Condition D
Volt Rating (VRMS MAX) @ Sea Level <u>335</u>	Insertion (MAX Lbs) <u>3</u>	Shock MIL-STD-202, Method 213, Condition I
VSWR <u>1.06+0.1f(GHz)</u> DC to 18 GHz	Withdrawal (MIN Oz) <u>1</u>	Thermal Shock MIL-STD-202, Method 107, Condition B
Insertion Loss (dB MAX) <u>.04x √f(GHz)</u>	Force to Engage (In/Lbs MAX) <u>3</u> & Disengage (In/Lbs MAX) <u>1.5</u>	Moisture Resistance MIL-STD-202, Method 106
RF Leakage (dB MIN) (Interface Only, Fully Mated) <u>-(90-f(GHz))</u>	Center Contact Captivation	Corrosion - MIL-STD-202, Method 101, Condition B
Corona, 70,000 Ft (VRMS MIN) <u>250</u>	Axial (Lbs) <u>6</u>	
Dielectric Withstanding Voltage (VRMS MIN) @ Sea Level <u>1000</u>	Weight (Grams) <u>TBD</u>	
Contact Resistance (Milliohms MAX)		
Center Contact <u>100</u>		
Outer Contact <u>2.0</u>		
RF High Potential @ Sea Level (VRMS MIN @ 5 MHz) <u>667</u>		
I.R.(Megohms MIN) <u>5000</u>		

COMPONENT	MATERIAL	FINISH
UNLESS OTHERWISE SPECIFIED DIMENSIONS ARE IN INCHES	DRAWN BY <u>K.C.MAHER</u> DATE <u>2/14/91</u>	 AMP Incorporated 140 Fourth Avenue Waltham, MA 02451-7599
TOLERANCE ON	CHECKED BY <u>CW</u> DATE <u>2/15/91</u>	
FRAC. DEC. ANGLES	APPROVED BY <u>PCW</u> DATE <u>2/15/91</u>	
± 1/64 ± .005 ± 1'	USE ASS'Y PROCEDURE	TITLE <u>DSP 2-HOLE FLANGE MOUNT PLUG RECEPTACLE WITH EMI-RFI GASKET</u>
These drawings and specifications are the property of Dinal Spectra Incorporated and shall not be reproduced or copied or used in whole or in part as the basis for the manufacture or sale of item(s) without written permission.	N/A	SIZE <u>B</u> CODE IDENT NO. <u>26805</u> 4551-3357-02 REV <u>01 0</u>
	N/A	SCALE <u>4:1</u> SHEET 1 OF 1

CUSTOMER DRAWING AMP PART # 1059572-1 SHEET 1 OF 1 REV B

单击下面可查看定价，库存，交付和生命周期等信息

[>>TE Connectivity\(泰科\)](#)