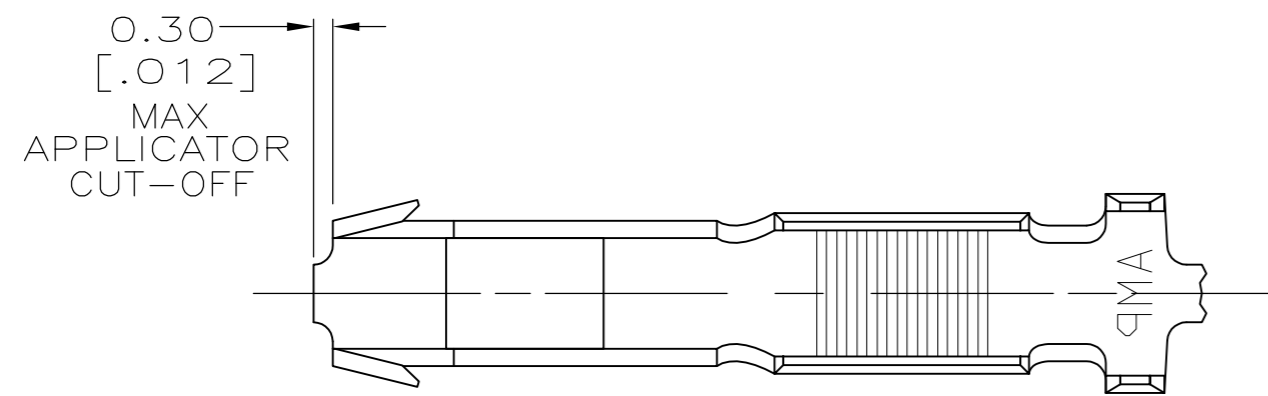
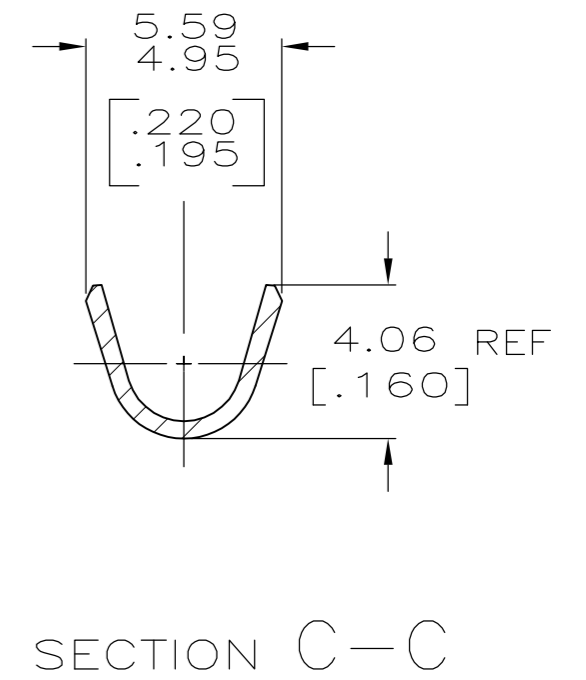
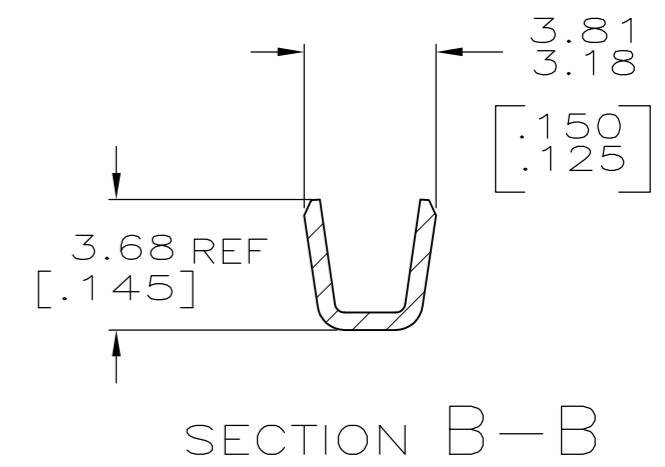
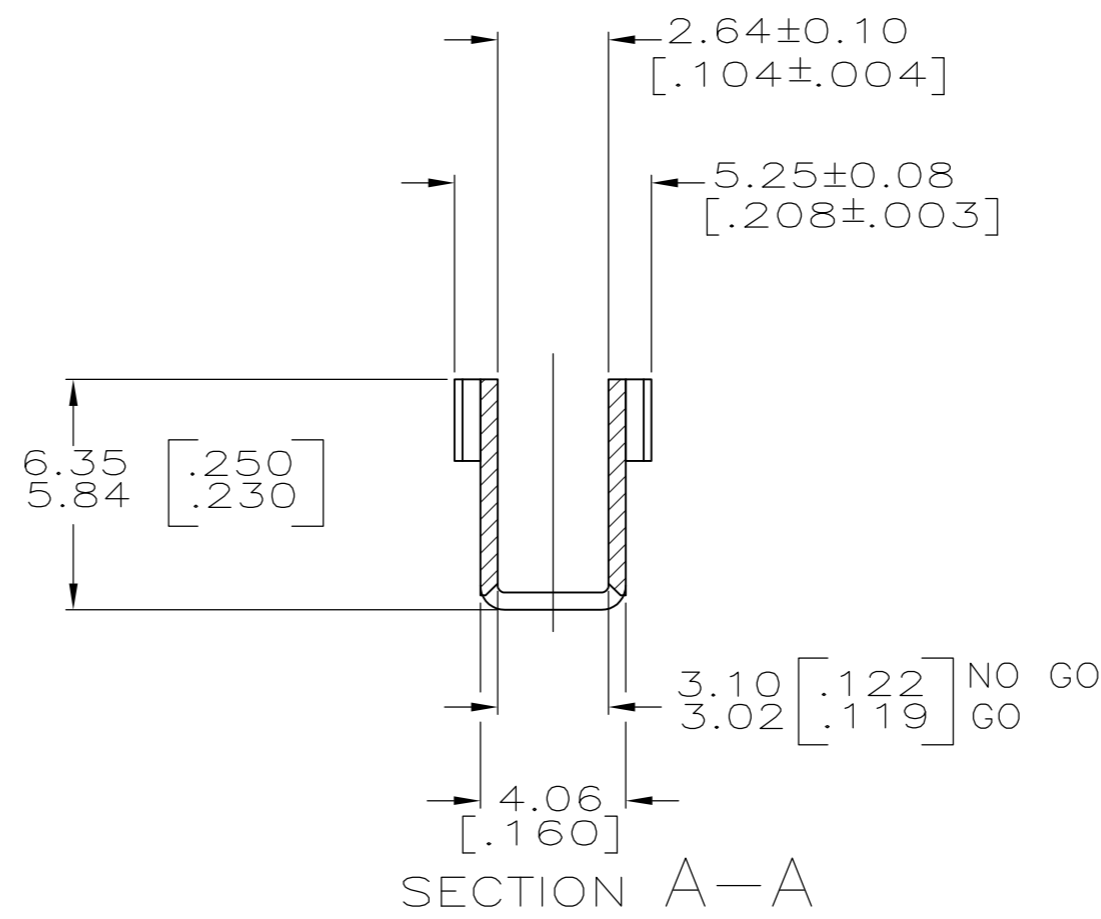
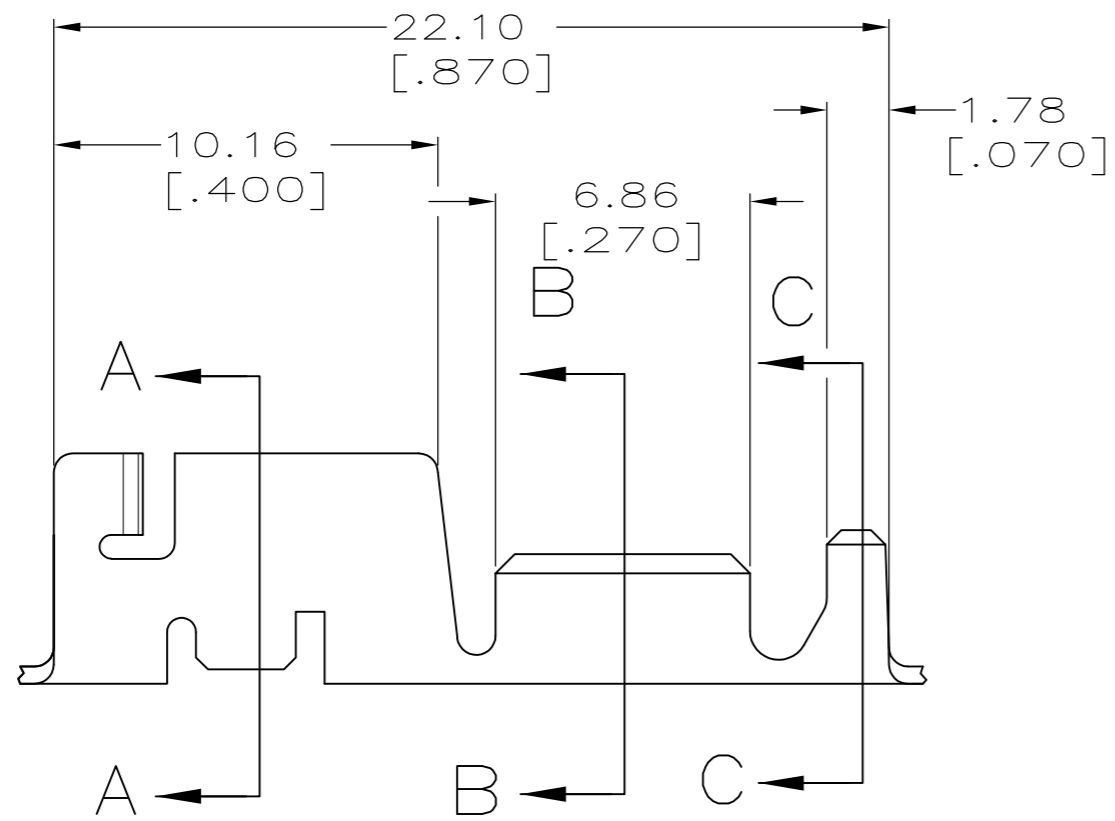


THIS DRAWING IS UNPUBLISHED. RELEASED FOR PUBLICATION  
 © COPYRIGHT - By - ALL RIGHTS RESERVED.

LOC		DIST		REVISIONS			
P	LTR	DESCRIPTION		DATE	DWN	APVD	
AF	50	E		REVISED PER ECR-14-006300	28AUG2014	MKD/RRP	



1 CONTINUOUS STRIP ON REELS WITH TERMINALS  
 LOCATED ON 23.75 [.935] CENTERS.



1.90-3.18 [.075-.125] DIA	1500-4200 CMA	1217174-1
INSULATION RANGE	WIRE RANGE	PART NUMBER

THIS DRAWING IS A CONTROLLED DOCUMENT.		DWN MICHAEL S. FEHER 06JUL1999	<b>TE</b> TE Connectivity	
DIMENSIONS: mm [INCHES]		CHK PETE DESANTIS 07JUL1999		
TOLERANCES UNLESS OTHERWISE SPECIFIED:		APVD PETE DESANTIS 07JUL1999	NAME RECEPTACLE, CLUSTER PIN, AMPLIVAR, 3.18[.125] DIA	
0 PLC ± -		PRODUCT SPEC 108-2008	SIZE A2	CAGE CODE 00779
1 PLC ± -		APPLICATION SPEC 114-2019	DRAWING NO C=1217174	RESTRICTED TO -
2 PLC ± 0.25 [.010]		MATERIAL H03 TIN-BRASS	SCALE 5:1	SHEET 1 OF 1
3 PLC ± -		FINISH POST TIN	CUSTOMER DRAWING	REV E
4 PLC ± -				
ANGLES ± -				

单击下面可查看定价，库存，交付和生命周期等信息

[>>TE Connectivity\(泰科\)](#)