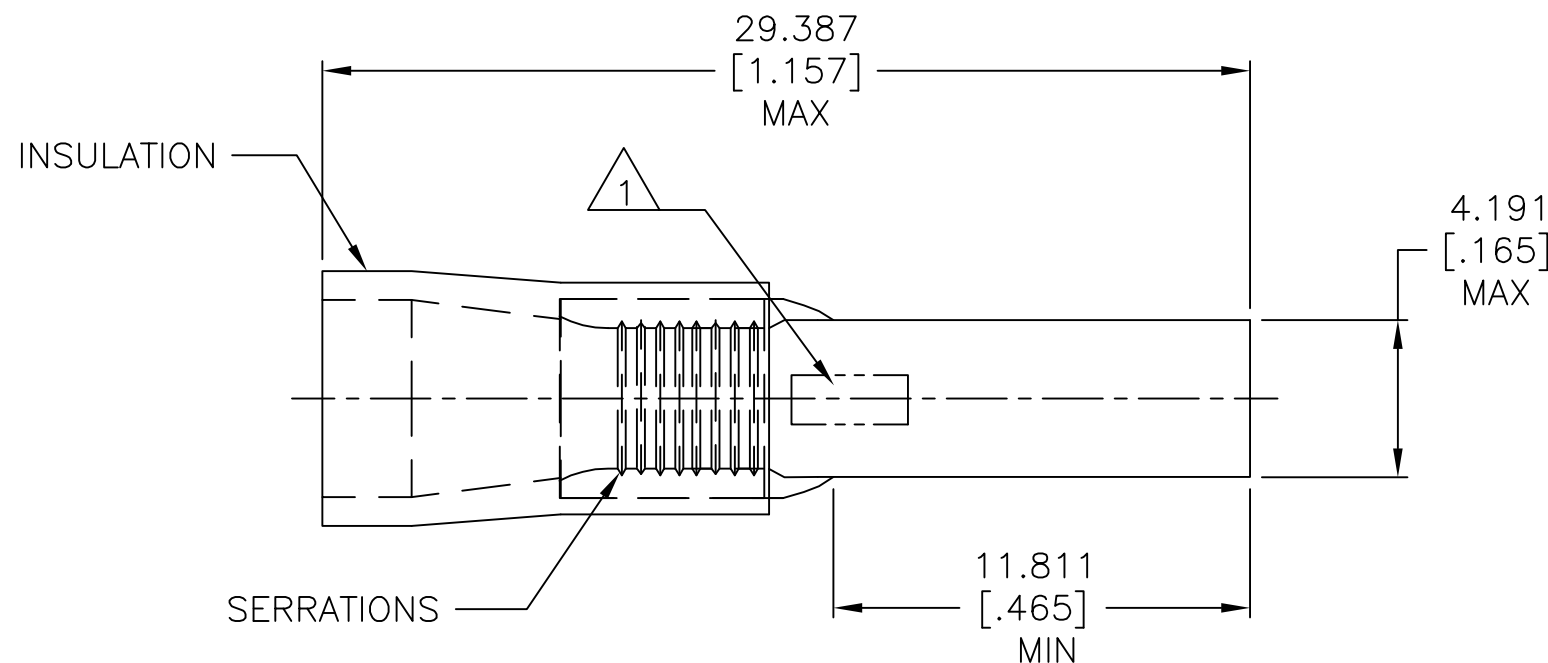
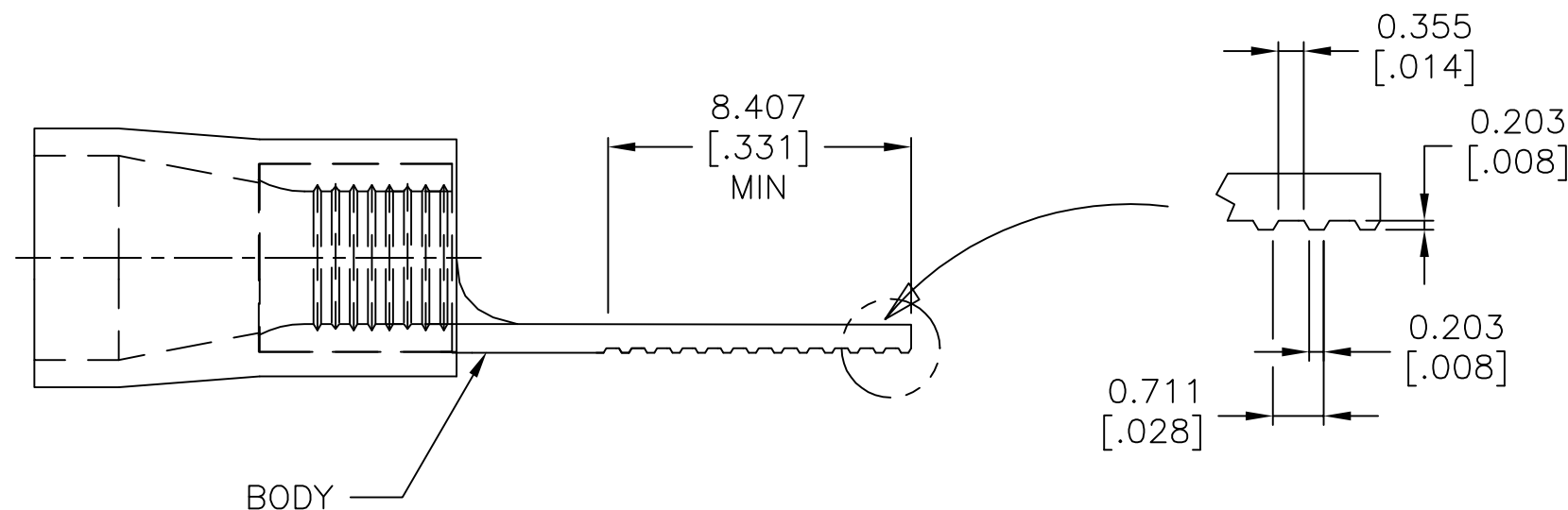


P	LTR	DESCRIPTION	DATE	DWN	APVD
B3		REVISED PER ECO-11-020548	02FEB12	KH	DR
B4		REVISED PER ECO-17-008809	20JUN2017	RS	DR



- 1 STAMP AMP 12-10 APPROX AS SHOWN.
- 2 WIRE INSULATION DIA:  $\phi 3.784-6.400[\phi .149-.252]$
- 3 BODY MATERIAL THICKNESS IS  $1.016\pm 0.050$   $[\ .040\pm .002]$
- 4 600 VOLT MAX.
- 5 CIRCULAR MIL AREA: 5,180-13,100 (2.62mm<sup>2</sup>-6.63mm<sup>2</sup>).
- 6 MAXIMUM TEMPERATURE 105°C [221°F]



LOOSE PIECE	500	131445
PACKAGING TYPE	QTY	PART NO

THIS DRAWING IS A CONTROLLED DOCUMENT.		DWN jr_ruth 29MAR06	TE Connectivity														
DIMENSIONS: mm [INCHES]		CHK T MICHELUTTI 29MAR06															
TOLERANCES UNLESS OTHERWISE SPECIFIED:		APVD T MICHELUTTI 29MAR06	NAME TERMINAL, TAB, PLASTI-GRIP, 12-10 AWG														
<table border="0"> <tr> <td>0 PLC</td> <td>± -</td> </tr> <tr> <td>1 PLC</td> <td>± -</td> </tr> <tr> <td>2 PLC</td> <td>± -</td> </tr> <tr> <td>3 PLC</td> <td>± 0.127[.005]</td> </tr> <tr> <td>4 PLC</td> <td>± -</td> </tr> <tr> <td>ANGLES</td> <td>± 1°</td> </tr> </table>		0 PLC	± -	1 PLC	± -	2 PLC	± -	3 PLC	± 0.127[.005]	4 PLC	± -	ANGLES	± 1°	PRODUCT SPEC -	APPLICATION SPEC 114-2161		
0 PLC	± -																
1 PLC	± -																
2 PLC	± -																
3 PLC	± 0.127[.005]																
4 PLC	± -																
ANGLES	± 1°																
MATERIAL BODY: COPPER PER ASTM B152 INSULATION: PVC		FINISH BODY: TIN PLATE PER ASTM B545 INSULATION COLOR: YELLOW	WEIGHT -	SIZE A3	CAGE CODE 00779	DRAWING NO C=131445	RESTRICTED TO -										
CUSTOMER DRAWING			SCALE 5:1	SHEET 1 OF 1	REV B4												

单击下面可查看定价，库存，交付和生命周期等信息

[>>TE Connectivity\(泰科\)](#)