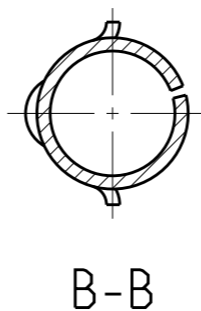
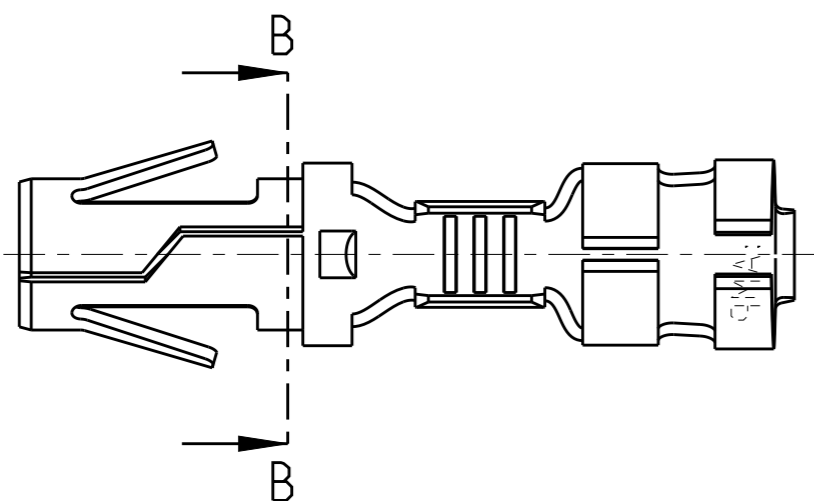
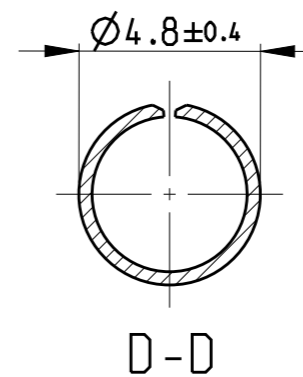
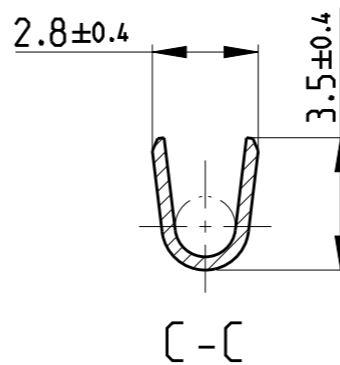
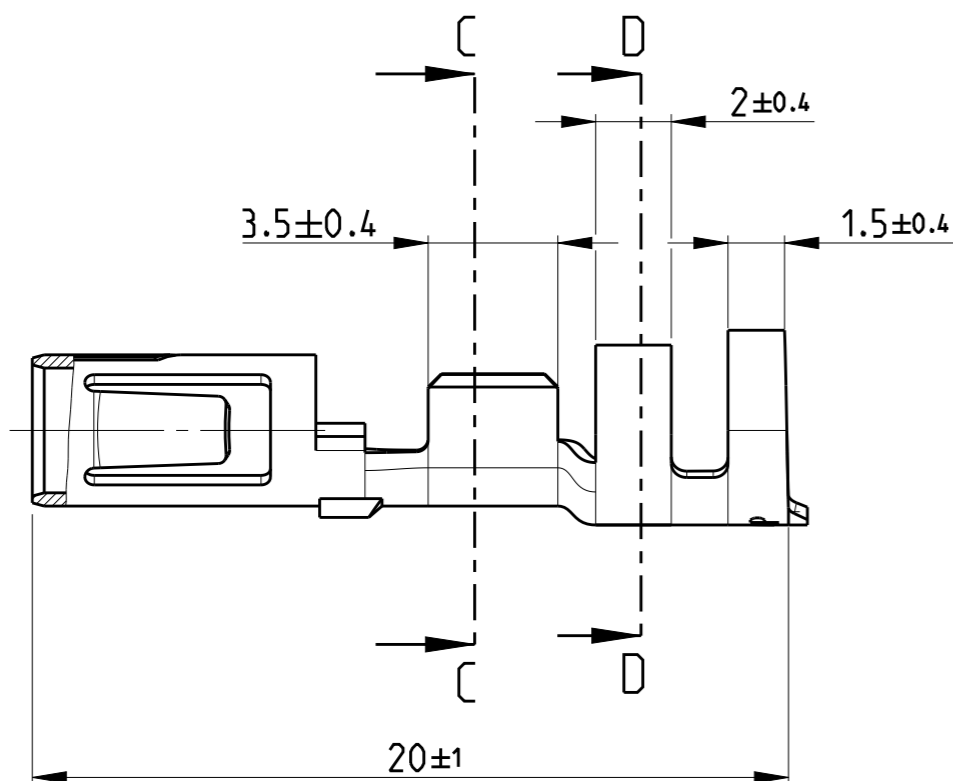


THIS DRAWING IS UNPUBLISHED. RELEASED FOR PUBLICATION 2008
 © COPYRIGHT 2008 BY - ALL RIGHTS RESERVED.

REVISIONS

| P | LTR | DESCRIPTION | DATE | DWN | APVD |
|----|-----|---------------------------|-----------|-----|-------|
| Y | | New drawing released | 21NOV2008 | J.S | P.E.G |
| Y1 | | REVISED PER ECO-10-000445 | 06FEB10 | KK | HMR |
| Y2 | | REVISED PER ECR-20-005051 | 30OCT2020 | SS | VS |



Terminal Conductor: FLK-Cable
 Conductor: F-Crimp
 Insulation: F-Crimp

| Cross section in mm ² | | 0.50 | 0.75 | 1.00 | 1.50 | 2.00 | 2.50 | 3.00 | 4.00 | 6.00 |
|----------------------------------|---|------|------|------|------|------|------|------|------|------|
| Single connection | | | | | | | | | | |
| 0.50 | X | X | X | X | X | | | | | |
| 0.75 | X | X | X | X | | | | | | |
| 1.00 | X | X | X | X | | | | | | |
| 1.50 | X | X | | | | | | | | |
| 2.00 | | | | | | | | | | |
| 2.50 | | | | | | | | | | |
| 3.00 | | | | | | | | | | |
| 4.00 | | | | | | | | | | |
| 6.00 | | | | | | | | | | |

Note 1 OBSOLETE PARTS: OBSOLETE C IS STREAMLINING PER D.RENAUD/D.SINISI

| | | | | |
|---|----------|---------------|-----------------|----------|
| 1 | OBSOLETE | — Plain — | Phosphor Bronze | 925661-9 |
| | | Gold over Ni. | Phosphor Bronze | 925661-7 |
| | | Gold over Ni. | Phosphor Bronze | 925661-6 |
| 1 | OBSOLETE | — Plain — | Phosphor Bronze | 925661-4 |
| | | Silver | Phosphor Bronze | 925661-3 |
| | | Pre-tin | Phosphor Bronze | 925661-2 |
| | | Pre-tin | Brass | 925661-1 |
| | | Finish | Material | Part no. |

925661-8 strip free
 Wire size range: 0.5-2.0 mm²

THIS DRAWING IS A CONTROLLED DOCUMENT.

| DIMENSIONS: | TOLERANCES UNLESS OTHERWISE SPECIFIED: |
|----------------------|--|
| mm | |
| | 0 PLC ±0.2 |
| | 1 PLC ±0.2 |
| | 2 PLC ±0.2 |
| | 3 PLC ±0.2 |
| | 4 PLC ±0.2 |
| ANGLES | ±1° 30' |
| MATERIAL | FINISH |
| see table material_2 | see table finish_spec_2 |

| | | |
|------------------|---------------|-----------|
| DWN | J. Salo | 21NOV2008 |
| CHK | R. Sole | 21NOV2008 |
| APVD | P.F. Grassano | 21NOV2008 |
| PRODUCT SPEC | - | - |
| APPLICATION SPEC | - | - |
| WEIGHT | - | - |
| CUSTOMER DRAWING | | |



| | | | |
|------------|----------|-----------------|--------|
| NAME | | .140 DIA SOCKET | |
| SIZE | A3 | CAGE CODE | - |
| DRAWING NO | C-925661 | RESTRICTED TO | |
| SCALE | 5:1 | SHEET | 1 OF 1 |
| REV | Y2 | | |

单击下面可查看定价，库存，交付和生命周期等信息

[>>TE Connectivity\(泰科\)](#)