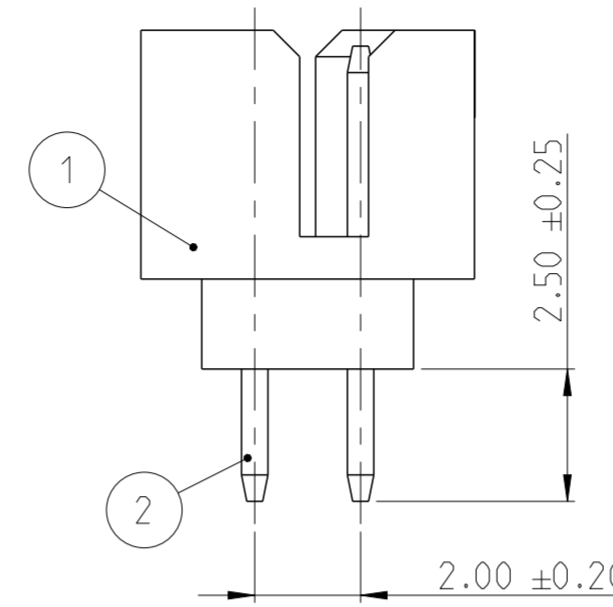
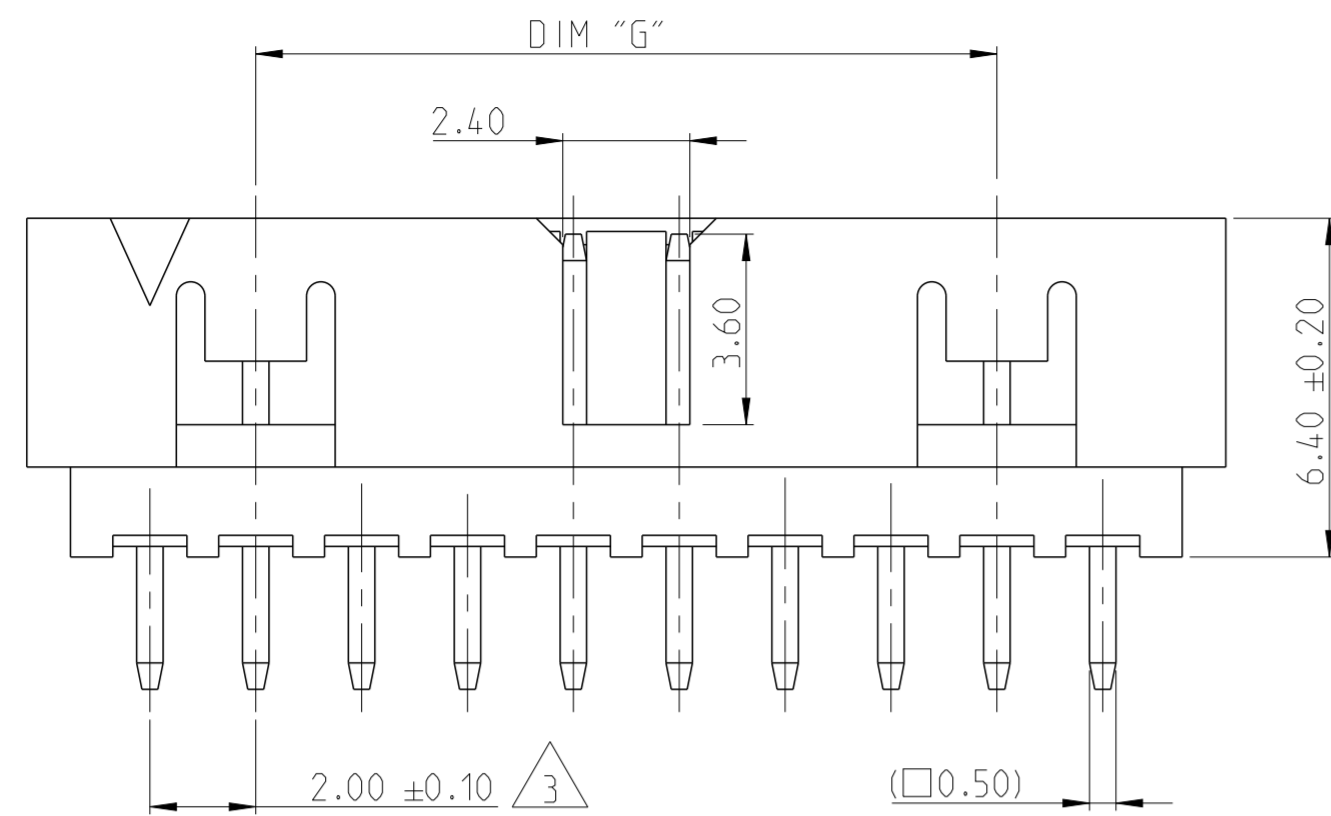
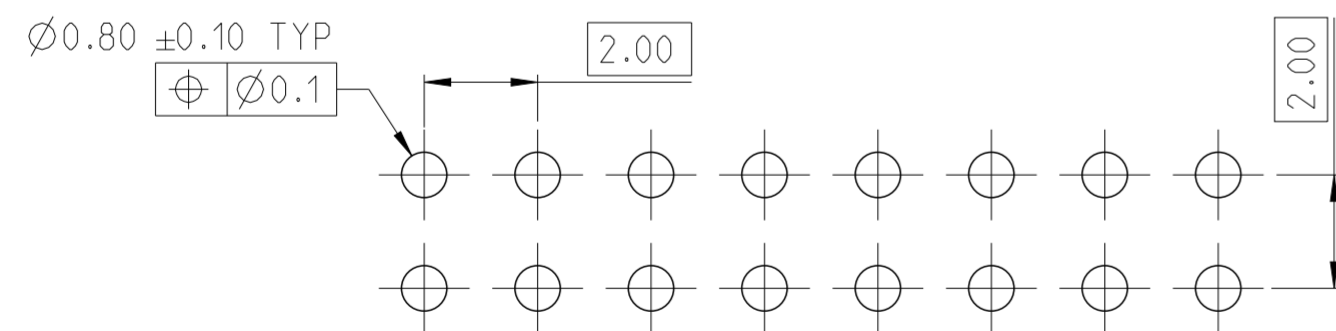
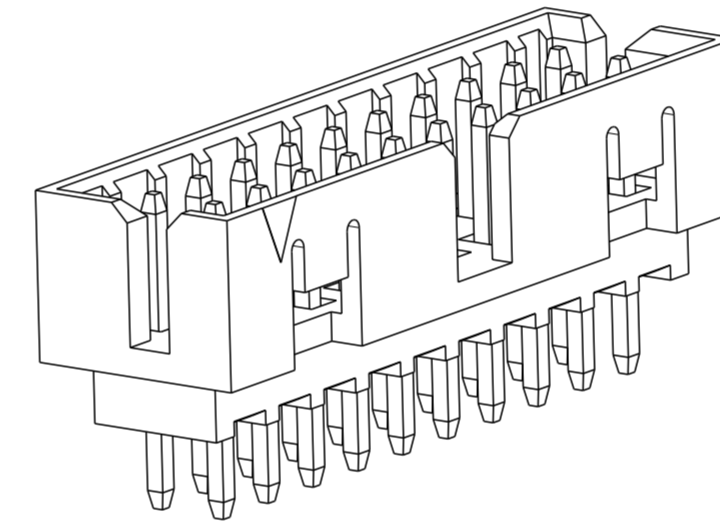
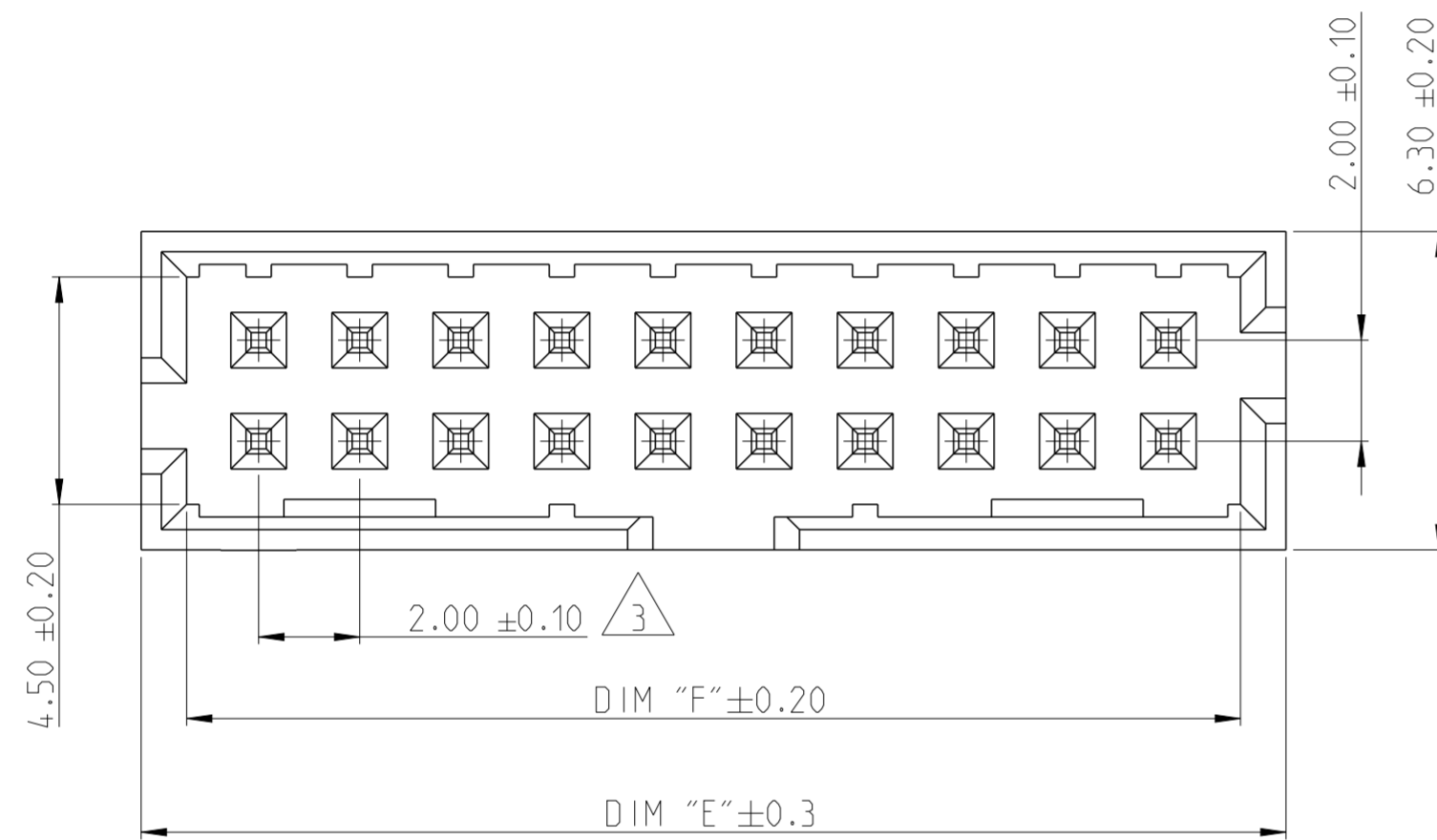


| REVISIONS |     |                       |           |       |
|-----------|-----|-----------------------|-----------|-------|
| P         | LTR | DESCRIPTION           | DATE      | APVD  |
| A         |     | RELEASE TO PRODUCTION | 09DEC2019 | AY PS |
| A1        |     | ADDED 22 POSITION     | 18AUG2020 | AY PS |

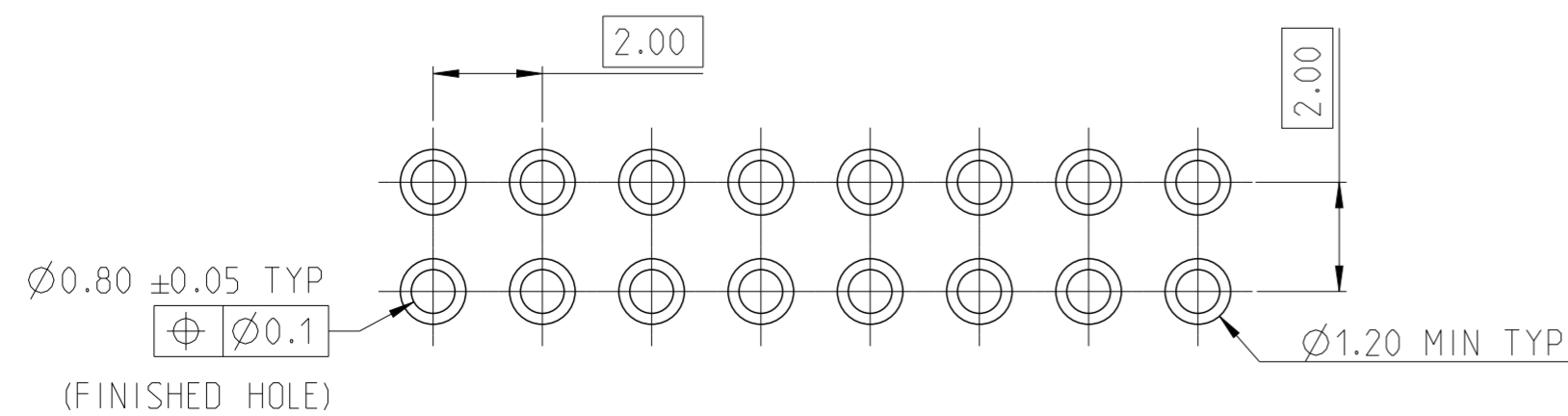


NOTES:

- MATERIAL  
HOUSING : HIGH TEMPERATURE THERMOPLASTIC, UL94-V0; COLOR- BLACK  
POST : COPPER ALLOY  
FINISH :  
MATING SIDE: MIN. 0.38 μm GOLD OVER NICKEL UNDER PLATING.  
SOLDER SIDE: MIN. 2.0 μm TIN OVER NICKEL UNDER PLATING.
  - PACKAGING: TUBE
- △ TOLERANCE NOT CUMULATIVE.



RECOMMENDED PCB HOLE PATTERN FOR THROUGH HOLE WAVE



RECOMMENDED PCB HOLE PATTERN FOR THROUGH HOLE REFLOW /PIN-IN-PASTE

2-2842237-0 AS SHOWN

|         |         |         |      |             |
|---------|---------|---------|------|-------------|
| 44      | 50.85   | 52.65   | 50   | 5-2842237-0 |
| 38      | 44.85   | 46.65   | 44   | 4-2842237-4 |
| 34      | 40.85   | 42.65   | 40   | 4-2842237-0 |
| 28      | 34.85   | 36.65   | 34   | 3-2842237-4 |
| 24      | 30.85   | 32.65   | 30   | 3-2842237-0 |
| 20      | 26.85   | 28.65   | 26   | 2-2842237-6 |
| 18      | 24.85   | 26.65   | 24   | 2-2842237-4 |
| 16      | 22.85   | 24.65   | 22   | 2-2842237-2 |
| 14      | 20.85   | 22.65   | 20   | 2-2842237-0 |
| 10      | 16.85   | 18.65   | 16   | 1-2842237-6 |
| 8       | 14.85   | 16.65   | 14   | 1-2842237-4 |
| DIM "G" | DIM "F" | DIM "E" | POS. | TE PN.      |

| DIMENSIONS: |  | TOLERANCES UNLESS OTHERWISE SPECIFIED: |       |
|-------------|--|--|-------|
| mm          |  | 0 PLC                                  | ±     |
|             |  | 1 PLC                                  | ±     |
|             |  | 2 PLC                                  | ±0.25 |
|             |  | 3 PLC                                  | ±     |
|             |  | 4 PLC                                  | ±     |
|             |  | ANGLES                                 | ±2°   |
|             |  | FINISH                                 | -     |

|             |          |
|-------------|----------|
| CONTACT PIN | 2        |
| HOUSING     | 1        |
| DESCRIPTION | ITEM NO. |

| THIS DRAWING IS A CONTROLLED DOCUMENT. |           |                               |  |  |
|--|-----------|-------------------------------|--|--|
| DWN                                    | 12NOV2019 | ANKIT YADAV                   |  |  |
| CHK                                    | 25NOV2019 | KARTHIK JK                    |  |  |
| APVD                                   | 27NOV2019 | PRASHANTH S.                  |  |  |
| PRODUCT SPEC                           |           | 108-64040                     |  |  |
| APPLICATION SPEC                       |           | 114-32259                     |  |  |
| WEIGHT                                 |           | -                             |  |  |
| CUSTOMER DRAWING                       |           | SCALE 5:1 SHEET 1 OF 1 REV A1 |  |  |



NAME AMPMODU 2mm SHROUDED HEADER, DUAL ROW, VERTICAL TH. 0.38 Au, TUBE

单击下面可查看定价，库存，交付和生命周期等信息

[>>TE Connectivity\(泰科\)](#)