

LOC	DIST	REVISIONS			
P	LTR	DESCRIPTION	DATE	DWN	APVD
AI					
	A2	REVISED PER ECO-11-005294	06APR11	RK	HMR

Kundenzeichnung für  
PN 1393450-3

EC Nr. V23542-C1052-B102

siehe C-1411344



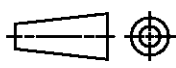
RELEASED FOR PUBLICATION

ALL RIGHTS RESERVED.

THIS DRAWING IS UNPUBLISHED.

BY



DIMENSIONS: mm		DWN <b>P. Spohr</b> 26.10.01	 TE Connectivity		
TOLERANCES UNLESS OTHERWISE SPECIFIED:		CHK <b>B. Leonhardt</b> 26.10.01			
<del>           0 PLC ±-            1 PLC ±-            2 PLC ±-            3 PLC ±-            4 PLC ±-            ANGLES ±-         </del>		APVD <b>S. Glaser</b> 26.10.01	NAME <b>52 pol. Abdeckkappe fuer 80 pol. Motorstecker</b>		
		PRODUCT SPEC	RESTRICTED TO		
		APPLICATION SPEC	SIZE A4	CAGE CODE 00779	DRAWING NO  1393450-3
		WEIGHT	SCALE		
		<b>CUSTOMER DRAWING</b>		SHEET 1 OF 1	REV A2

单击下面可查看定价，库存，交付和生命周期等信息

[>>TE Connectivity\(泰科\)](#)