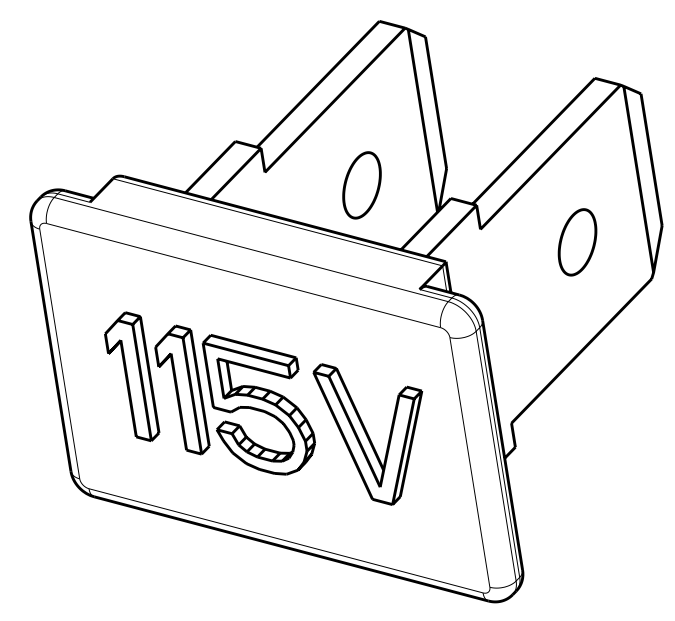
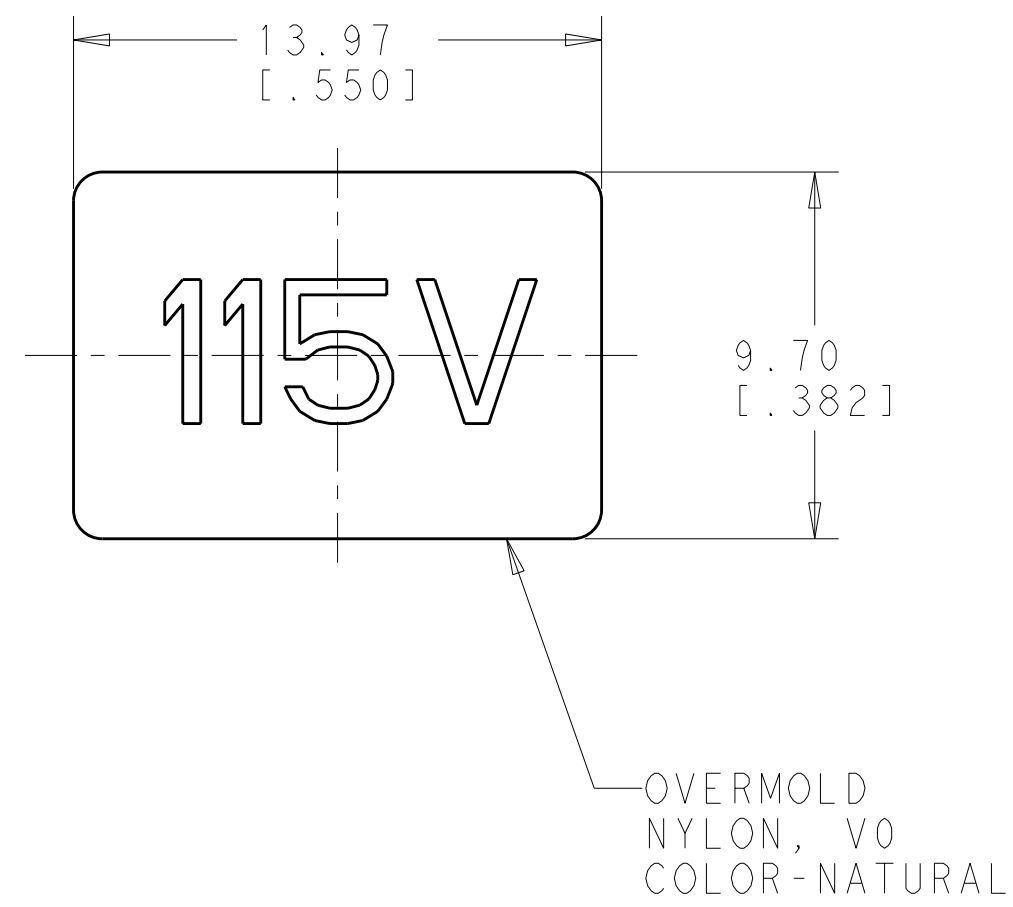
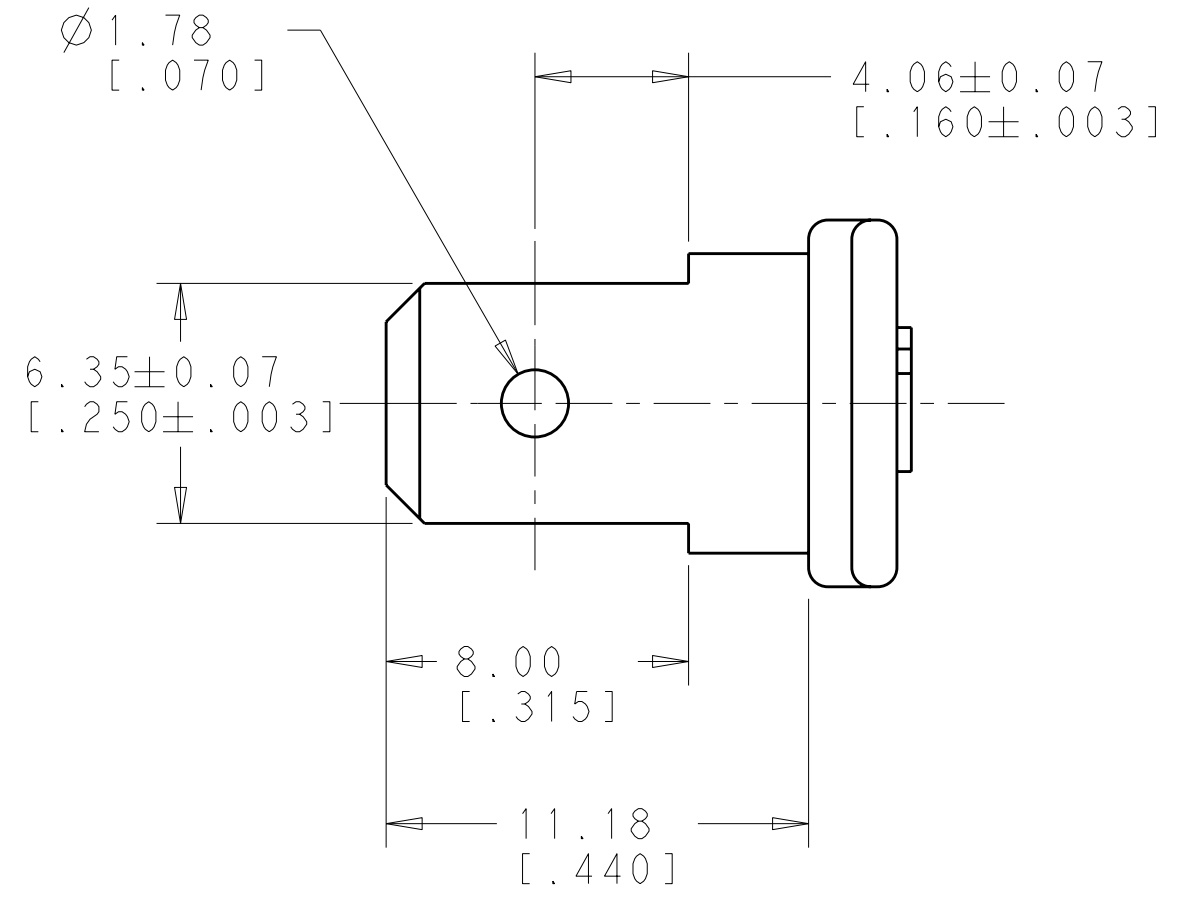
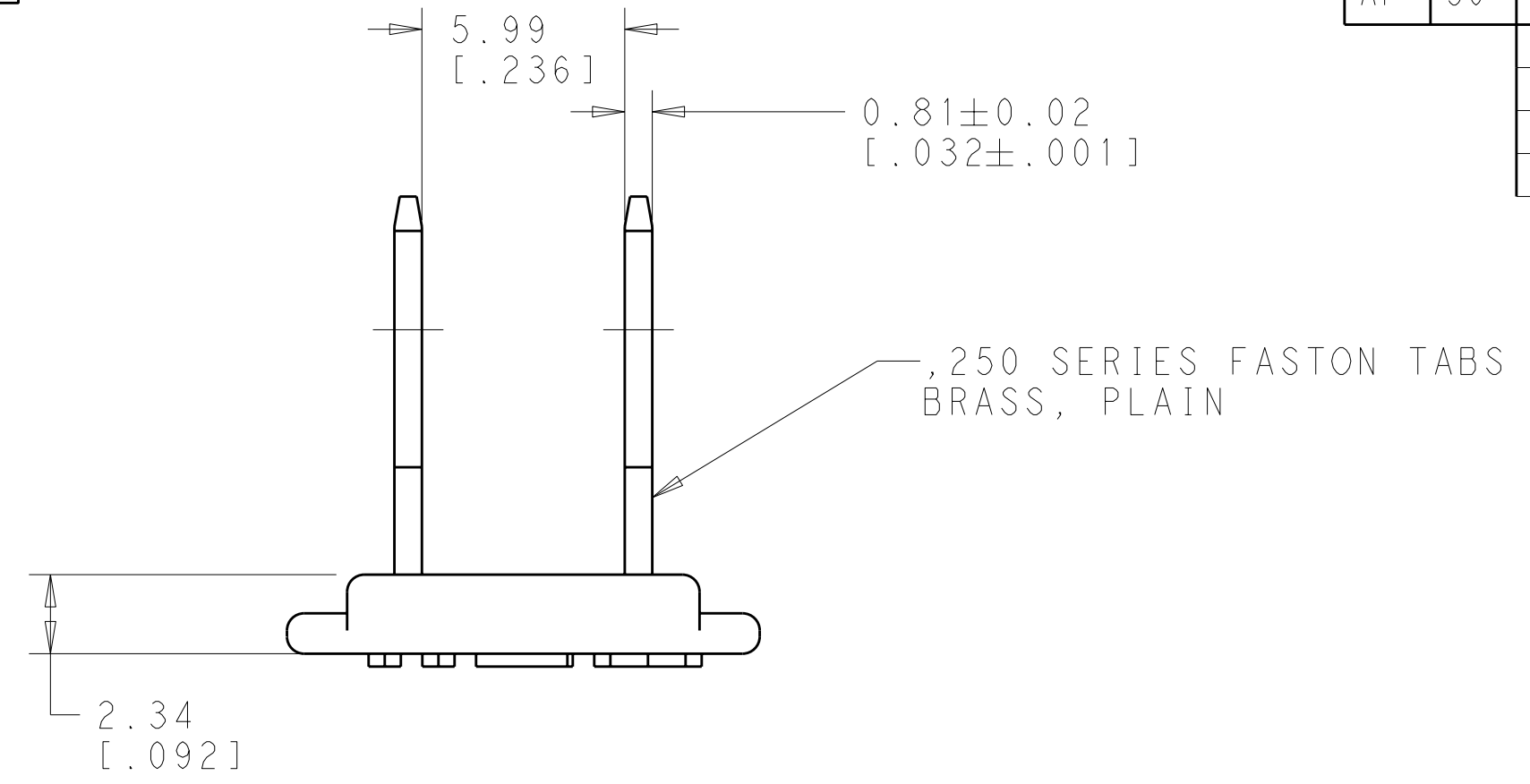


THIS DRAWING IS UNPUBLISHED. RELEASED FOR PUBLICATION 20
 © COPYRIGHT 20 BY TYCO ELECTRONICS CORPORATION. ALL INTERNATIONAL RIGHTS RESERVED.

LOC		DIST		REVISIONS			
P	LTR	DESCRIPTION	DATE	DWN	APVD		
AF	50	A1	RELEASED PER ECR 11-003544	22FEB11	JR	PD	



1969375-1
PART NUMBER

THIS DRAWING IS A CONTROLLED DOCUMENT FOR TYCO ELECTRONICS CORPORATION. IT IS SUBJECT TO CHANGE AND THE CONTROLLING ENGINEERING ORGANIZATION SHOULD BE CONTACTED FOR THE LATEST REVISION.		DWN	JR RUTH	16SEP2008	Tyco Electronics Harrisburg, PA 17105-3608	
DIMENSIONS: MM [INCHES]		CHK	PETE DESANTIS		NAME	
TOLERANCES UNLESS OTHERWISE SPECIFIED:		APVD	PETE DESANTIS		OVERMOLD TABS, DUAL, 2 POSITION	
0 PLC	±	PRODUCT SPEC	-			
1 PLC	±	APPLICATION SPEC	-			
2 PLC	±0.25 [.010]	WEIGHT	-			
3 PLC	±	CUSTOMER DRAWING	-			
4 PLC	±	SCALE	5:1		SHEET	1 OF 1
ANGLES	±	RESTRICTED TO	-			
FINISH	±	REV	A1			
MATERIAL	-	SIZE	A200779		DRAWING NO	C-1969375

单击下面可查看定价，库存，交付和生命周期等信息

[>>TE Connectivity\(泰科\)](#)