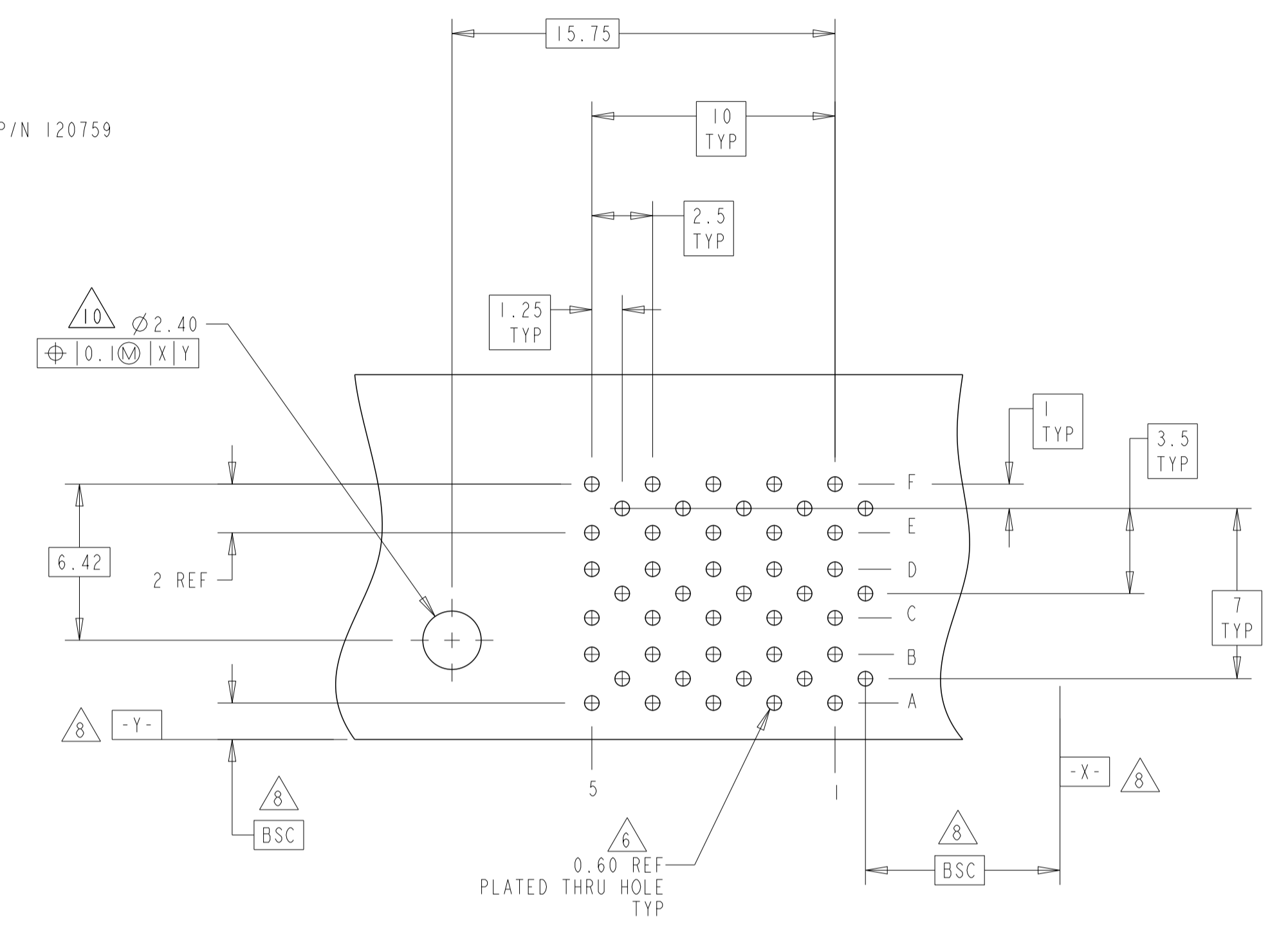
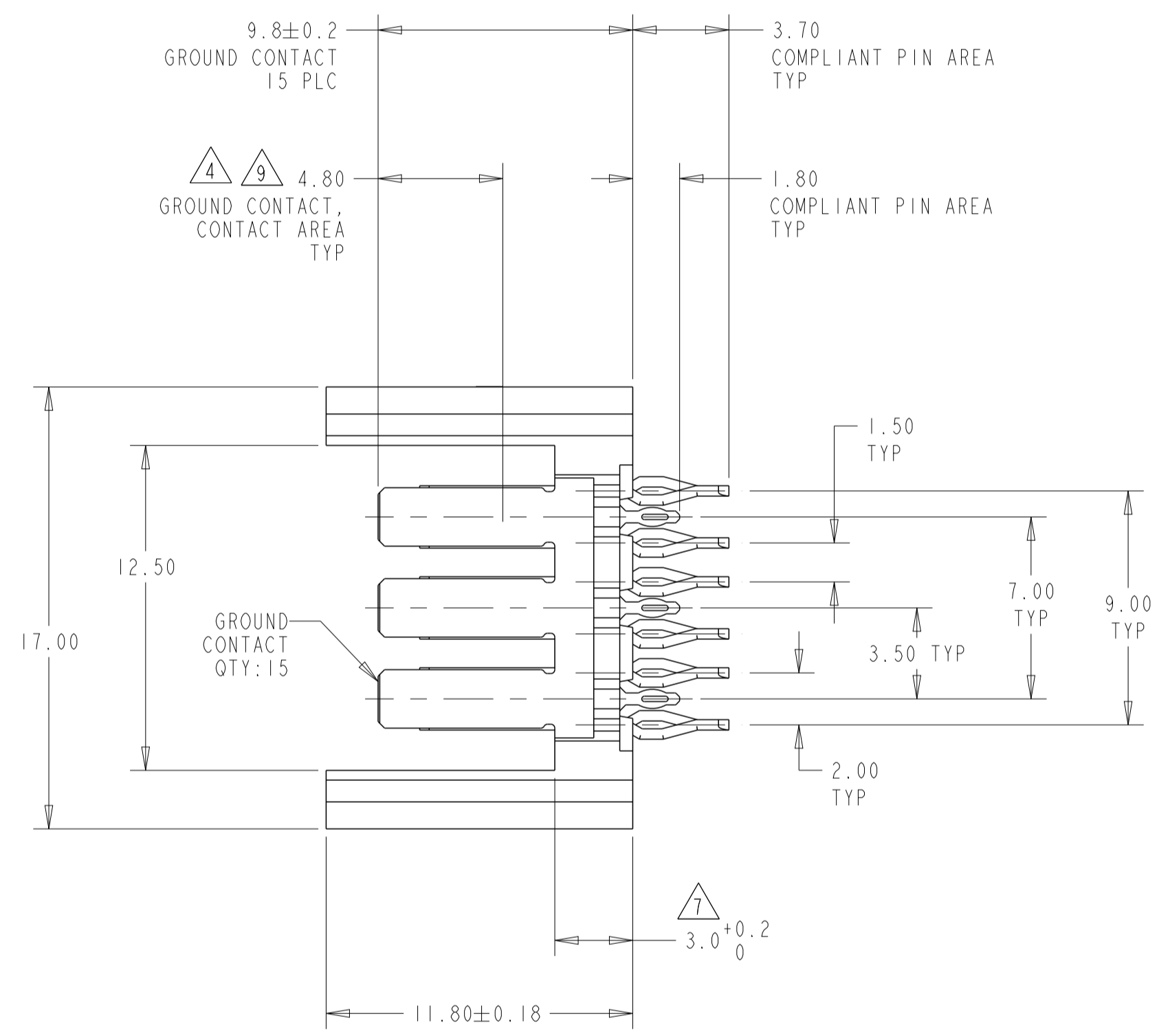
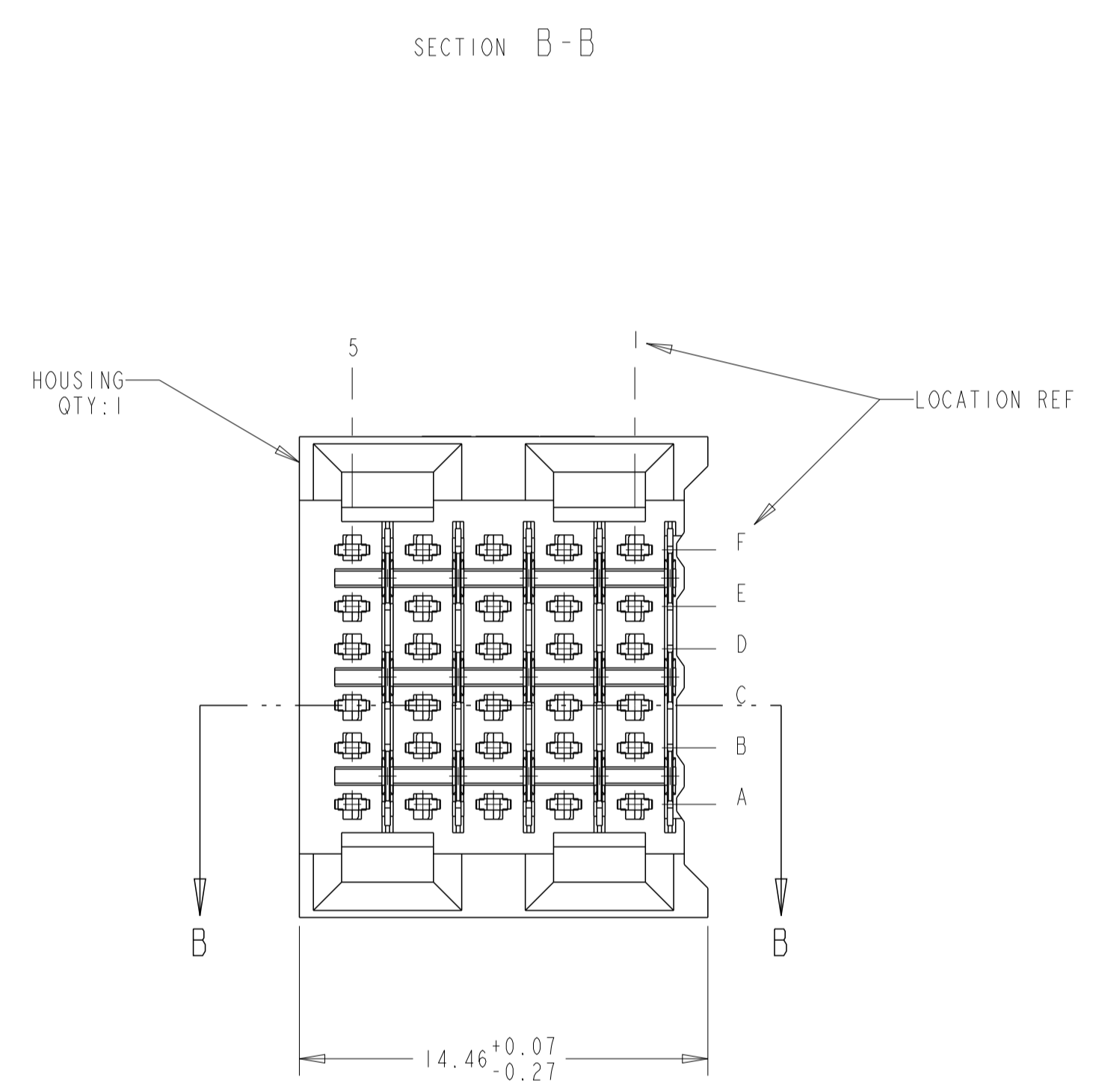
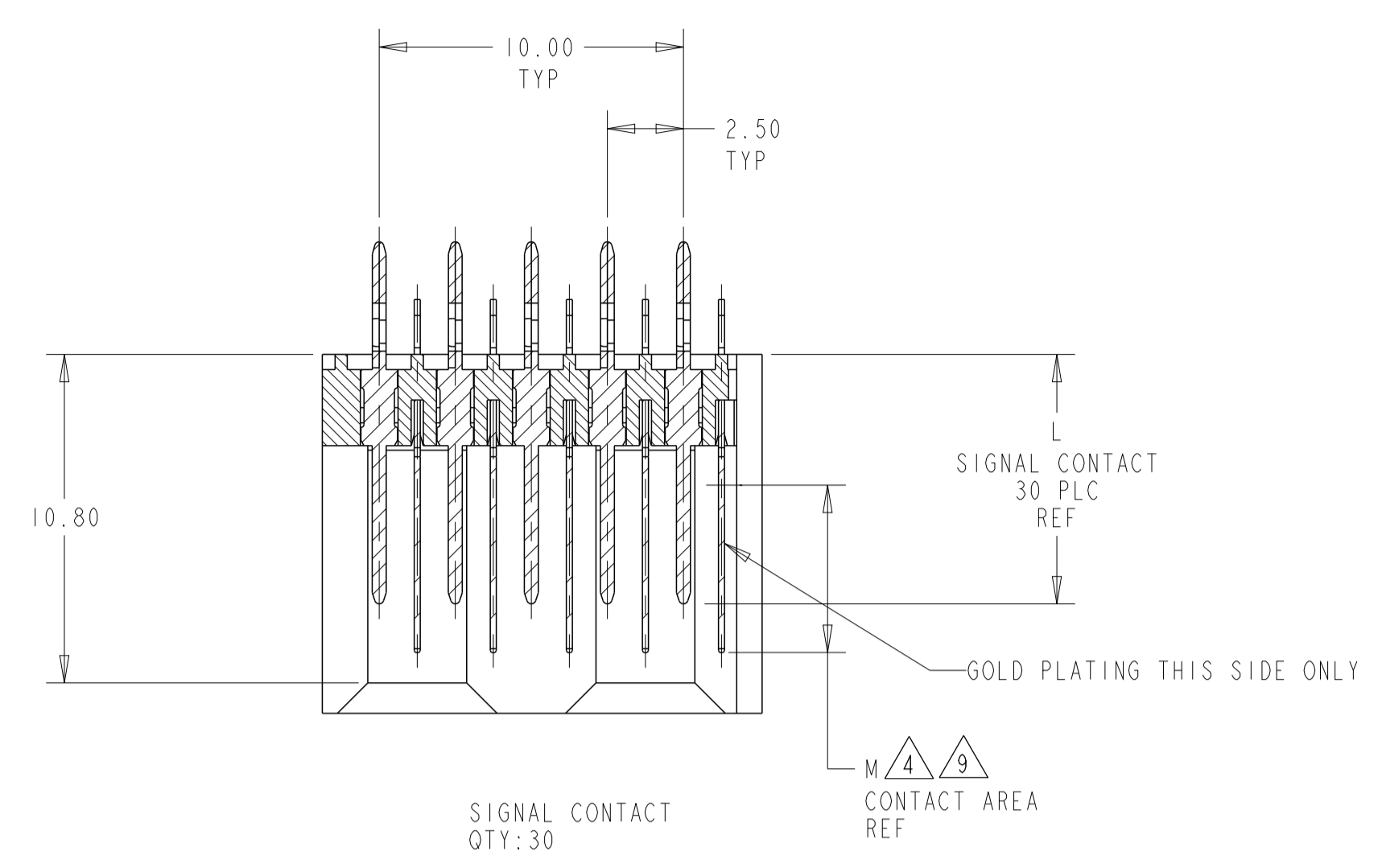
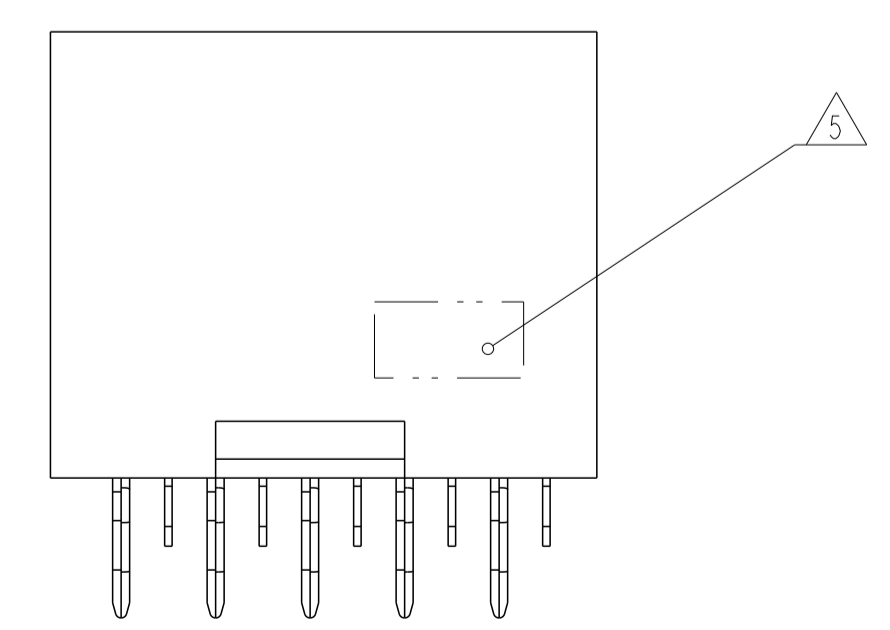


LOC	DIST	REV	DATE	BY	APPV
AD	00	B2	28SEP2012	KH	JE

- 2 PHOSPHOR BRONZE
- 3 LCP, UL94V-0
- 4 FINISH:
CONTACT MATING AREA MEETS THE PERFORMANCE REQUIREMENTS OF
TE CONNECTIVITY PRODUCT SPECIFICATION 108-1957; BASED ON
TELCORDIA GR-1217-CORE; APPLICATIONS IN UNCONTROLLED ENVIRONMENTS.
COMPLIANT PIN AREA: 0.5µm MIN MATTE TIN OVER BASE PLATING.
- 5 CONNECTOR MARKED WITH PART NUMBER AND DATE CODE
- 6 REFERENCE APPLICATION SPEC 114-13020 FOR RECOMMENDED
PLATED THRU HOLE DIAMETER AND PLATING THICKNESS.
- 7 APPLICATION SEATING HEIGHT TO PRINTED CIRCUIT BOARD
- 8 DATUMS AND BASIC DIMENSIONS ESTABLISHED BY CUSTOMER
- 9 CONTACT AREA LUBRICATED WITH BELLCORE APPROVED LUBRICANT
TECHNICAL REFERENCE: GR-1217-CORE, ISSUE 1, NOVEMBER 1995
- 10 HOLE DIAMETER SHOULD BE 3.10 WHEN USING FEED THROUGH GUIDE PIN P/N 120759
CLEARANCE FOR M3x0.5 THREAD



RECOMMENDED
PRINTED CIRCUIT BOARD
LAYOUT
COMPONENT SIDE OF PRINTED CIRCUIT BOARD



5.50	9.7	5120677-2
5.50	8.2	5120677-1
M	L	PART NUMBER

THIS DRAWING IS A CONTROLLED DOCUMENT.

DIMENSIONS:	TOLERANCES UNLESS OTHERWISE SPECIFIED:	OWN: B. CARBO 07DEC04	NAME: HEADER ASSEMBLY, 30 POSITION, RIGHT HAND, 6 ROW, Z-PACK HS3
mm	0 PLC ±	CHK: R. PATTERSON 07DEC04	SIZE: A1
	1 PLC ±	APPV: R. PATTERSON 07DEC04	CAGE CODE: 00779
	2 PLC ±0.13	PRODUCT SPEC:	DRAWING NO: 5120677
	3 PLC ±0.05	APPLICATION SPEC:	RESTRICTED TO:
	4 PLC ±	WEIGHT:	SCALE: 5:1
	ANGLES ±	CUSTOMER DRAWING	SHEET 1 OF 1
MATERIAL:	FINISH:		REV: B2
HOUSING: 3			
CONTACTS: 2	SIGNAL CONTACT: 4		

TE Connectivity

单击下面可查看定价，库存，交付和生命周期等信息

[>>TE Connectivity\(泰科\)](#)