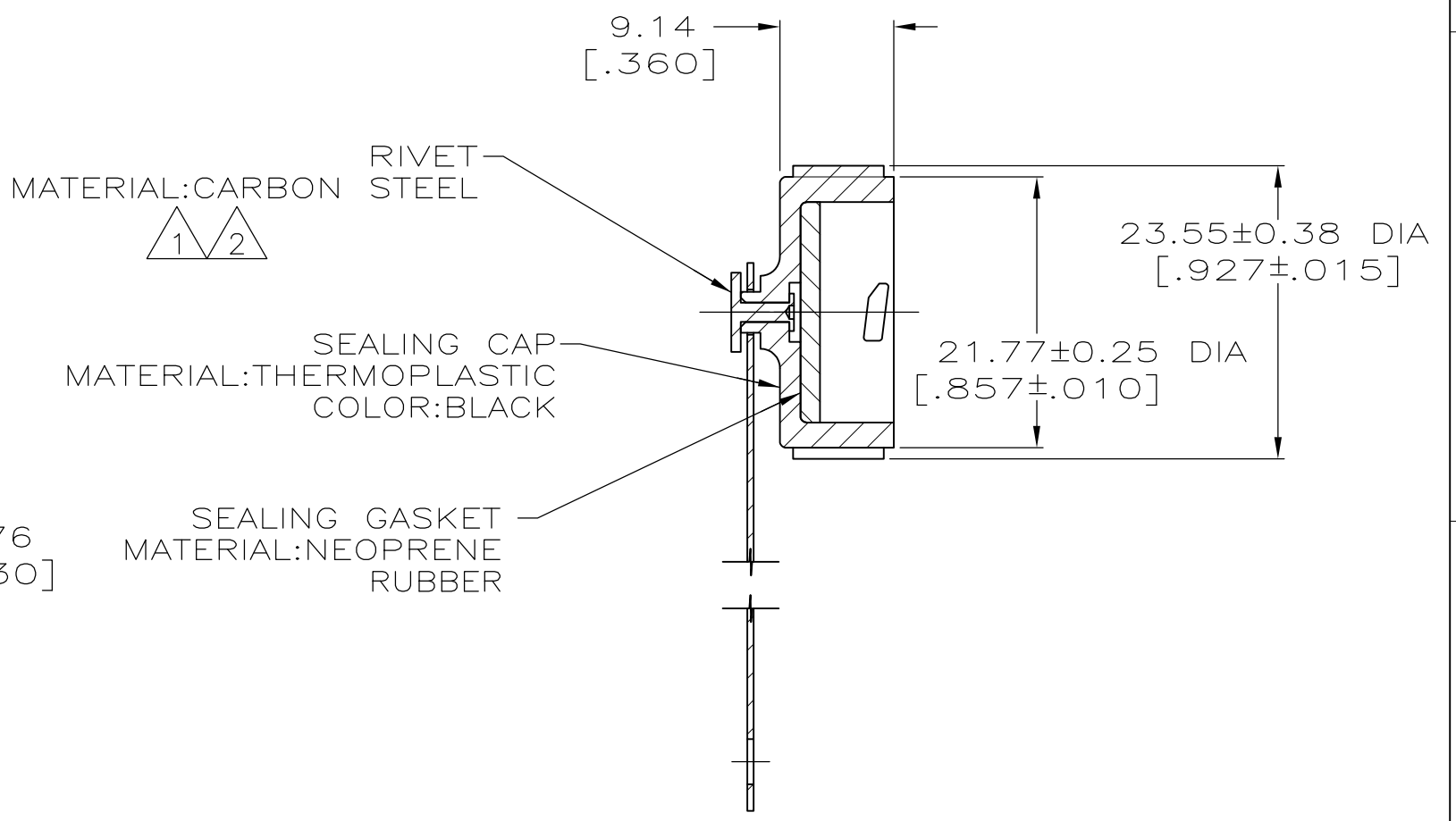
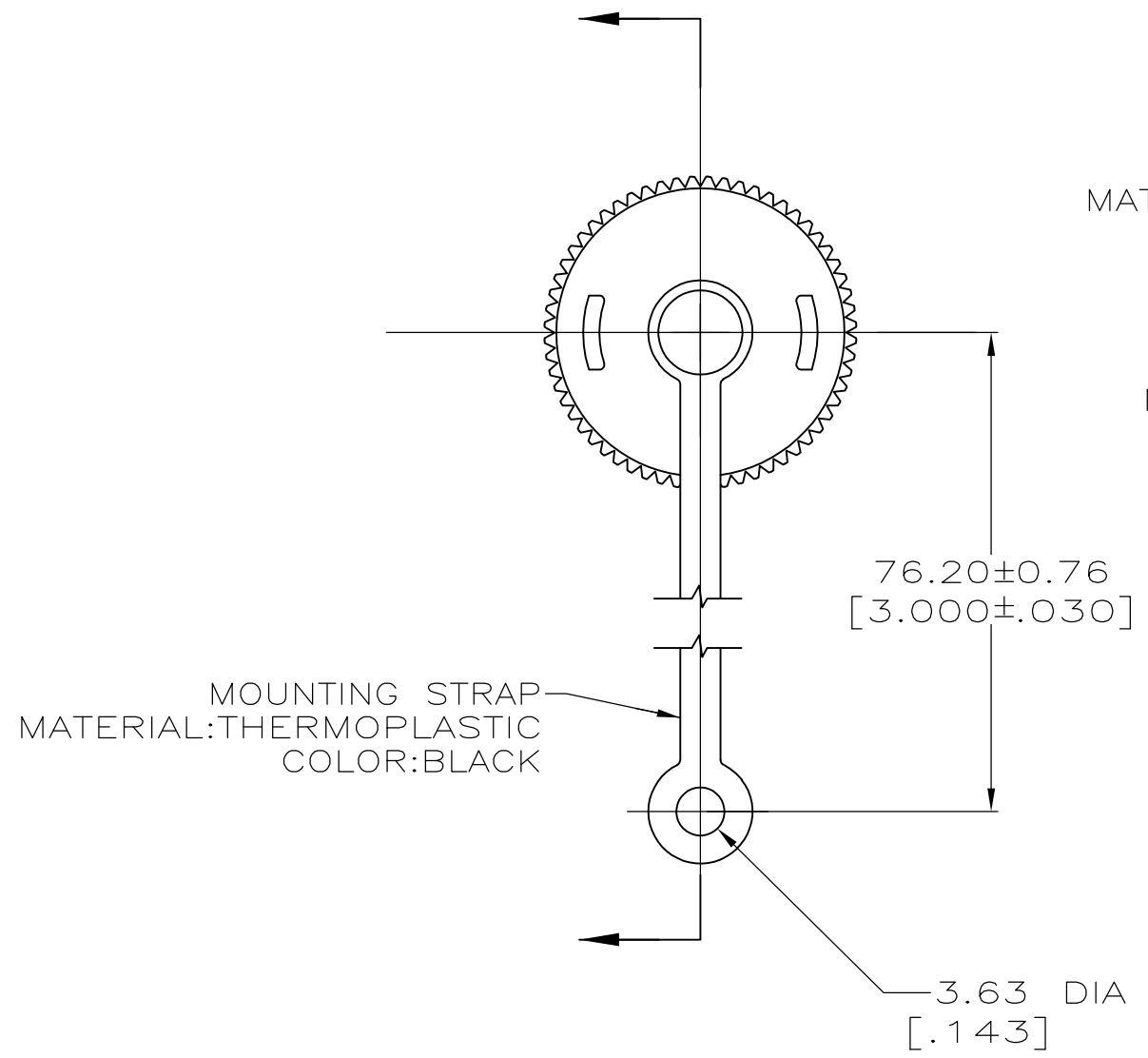


LOC	DIST	REVISIONS					
BD	35	P	LTR	DESCRIPTION	DATE	DWN	APVD
			C3	REVISED PER ECO-11-004917	11MAR11	RK	HMR

- △1 FINISH: ZINC PLATE WITH CLEAR CHROMATE
- △2 FINISH: ZINC PLATE WITH NON-HEXAVALENT CHROMATE



SUPERCEDED BY 206903-2	△2	206903-2
	△1	206903-1
FINISH	PART NUMBER	

THIS DRAWING IS A CONTROLLED DOCUMENT.		DWN D.BROCKWAY 6-9-93	<b>STE</b> TE Connectivity													
DIMENSIONS: mm[INCHES]		CHK R.STONE 7-1-93														
TOLERANCES UNLESS OTHERWISE SPECIFIED:		APVD AL FRANTUM 7-1-93	NAME SEALING CAP ASSY, SIZE 11, CPC													
<table border="0"> <tr><td>0 PLC</td><td>± -</td></tr> <tr><td>1 PLC</td><td>± -</td></tr> <tr><td>2 PLC</td><td>± 0.13[.005]</td></tr> <tr><td>3 PLC</td><td>± -</td></tr> <tr><td>4 PLC</td><td>± -</td></tr> <tr><td>ANGLES</td><td>± -</td></tr> </table>		0 PLC	± -	1 PLC	± -	2 PLC	± 0.13[.005]	3 PLC	± -	4 PLC	± -	ANGLES	± -	PRODUCT SPEC -	RESTRICTED TO -	
0 PLC	± -															
1 PLC	± -															
2 PLC	± 0.13[.005]															
3 PLC	± -															
4 PLC	± -															
ANGLES	± -															
MATERIAL SEE CALLOUTS	FINISH SEE CALLOUTS	APPLICATION SPEC -	SIZE A3	CAGE CODE 00779	DRAWING NO C-206903											
CUSTOMER DRAWING			SCALE 2:1	SHEET 1 OF 1	REV C3											

单击下面可查看定价，库存，交付和生命周期等信息

[>>TE Connectivity\(泰科\)](#)