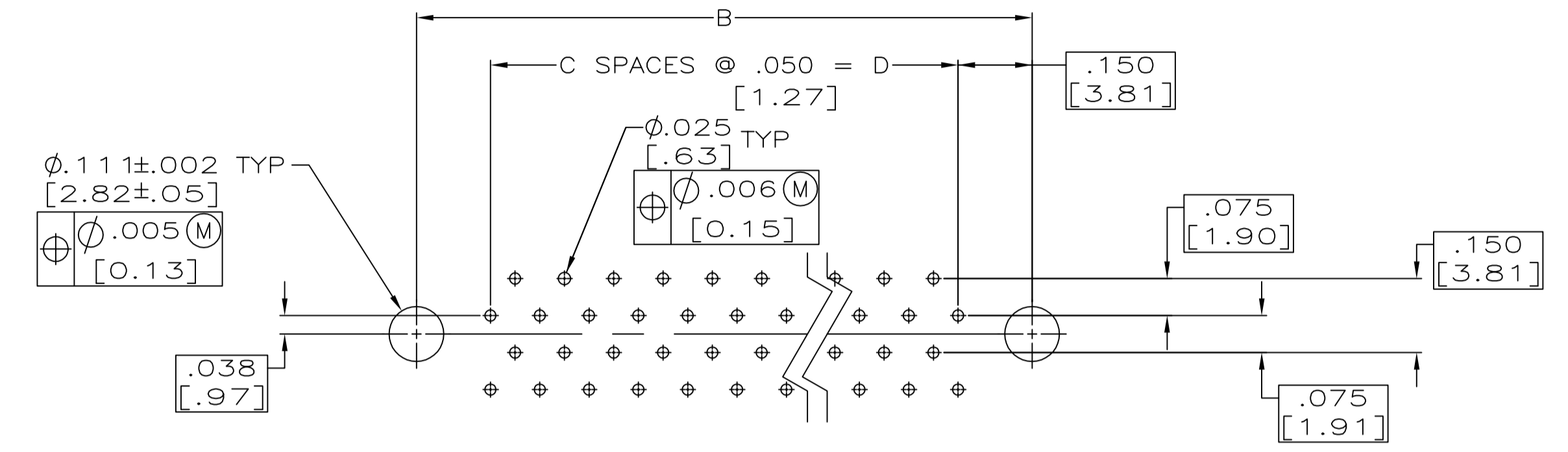
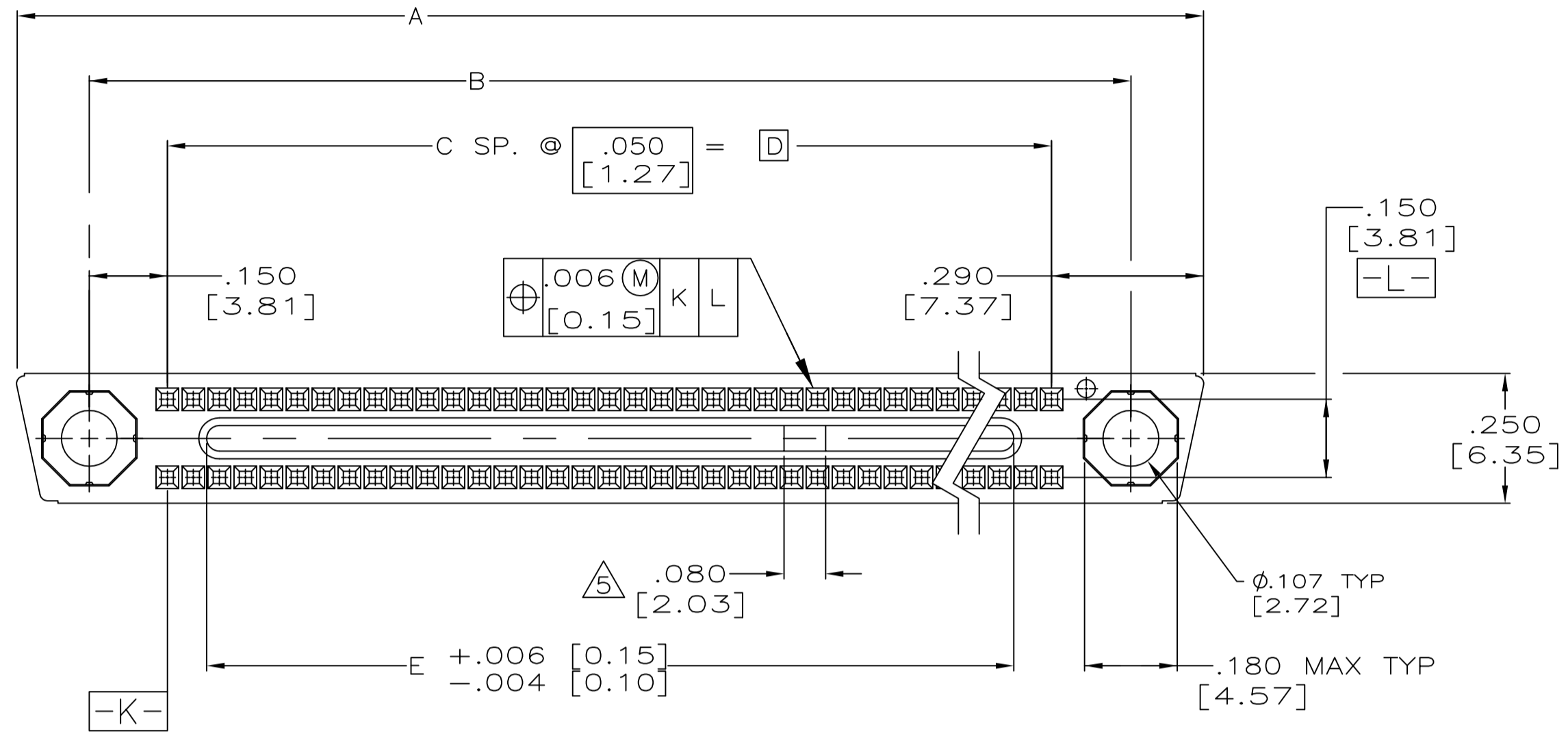
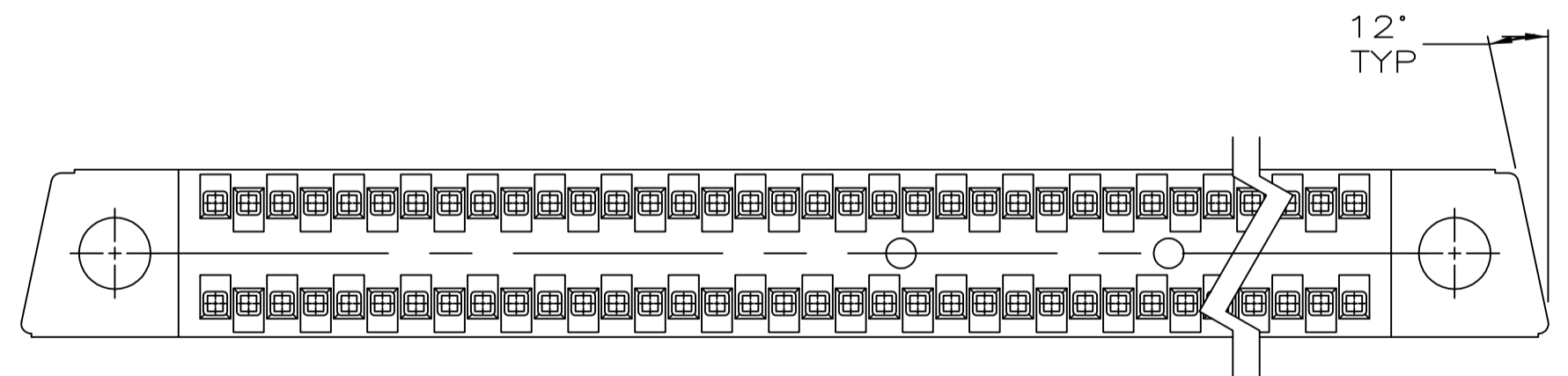
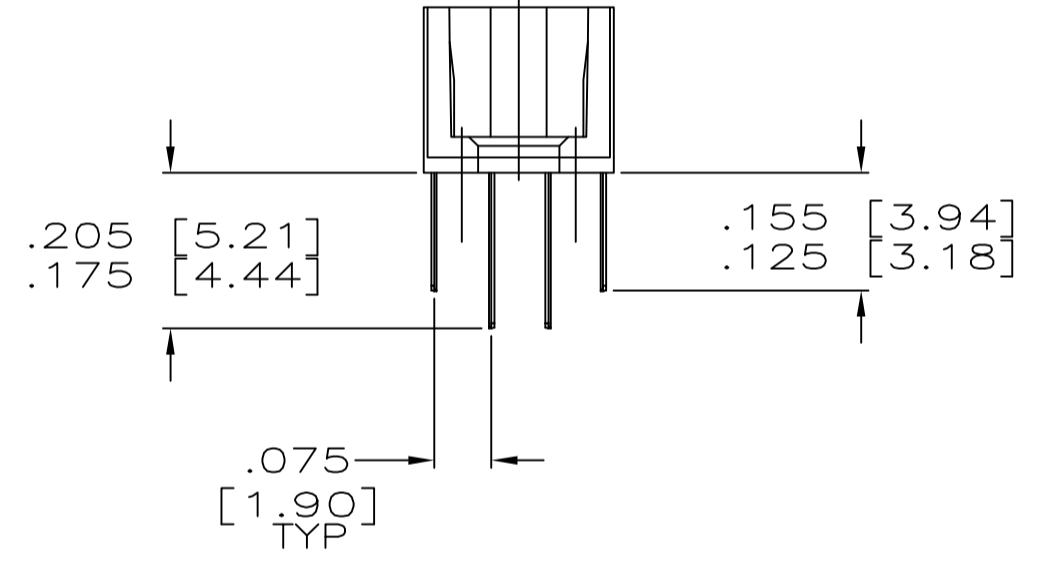
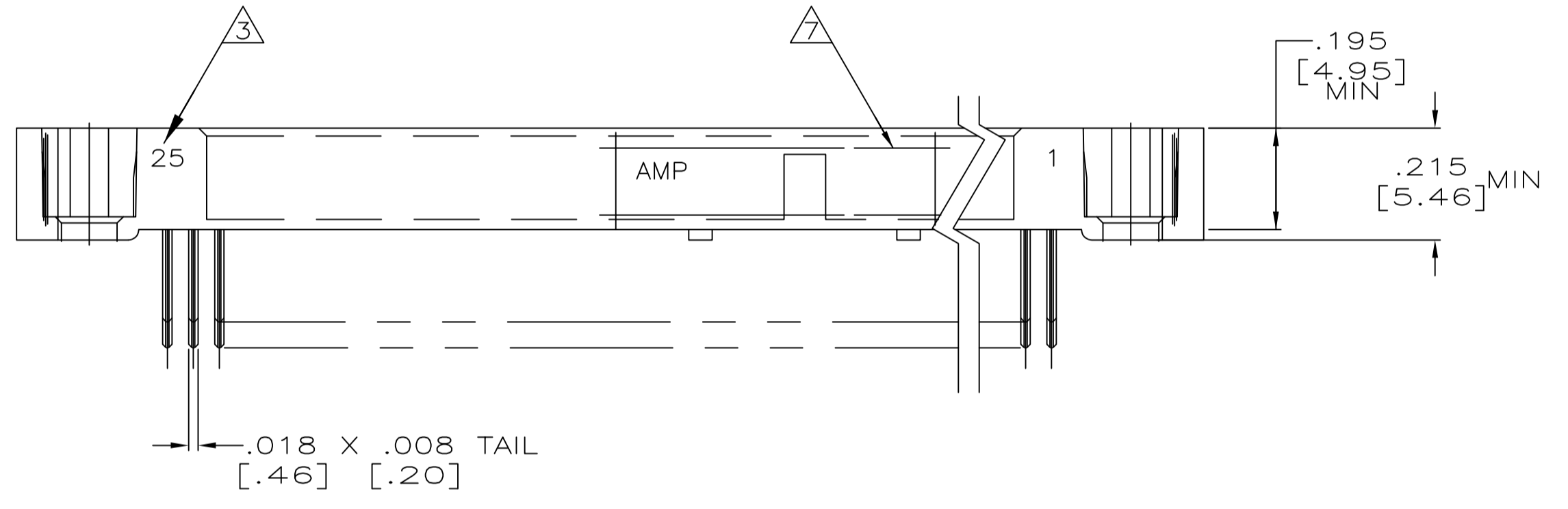


REVISIONS				
P	LTR	DESCRIPTION	DATE	OWN APVD
G		REVISED PER ECO-16-017894	27APR2017	PHM CT



RECM. .P.C. BD. LAYOUT



- ① HOUSING MATERIAL: LIQUID CRYSTAL POLYMER PER MIL-M-24519, GLCP-30F; COLOR: GRAY.
- ② CONTACT MATERIAL: BRASS.
- ③ END CAVITY IDENTIFICATION NUMBERS MARKED ON FAR SIDE SURFACE (SEE TABLE).
- 4. MUST MEET REQUIREMENTS OF MIL-C-55302.
- ⑤ ON -2 ONLY.
- ⑥ CONTACT FINISH: .000050 GOLD IN CONTACT AREA, TIN-LEAD ON TAILS, ALL OVER NICKEL UNDERPLATE.
- ⑦ "AMP" P/N & DATE CODE MARKED IN THIS APPROXIMATE AREA, FAR SIDE.

1 - 50	2.300 [58.42]	2.450 [62.23]	49	2.750 [69.85]	3.040 [77.22]	100	446346-2
1 - 25	1.050 [26.67]	1.200 [30.48]	24	1.500 [38.10]	1.790 [45.47]	50	446346-1
CONTACT IDENT NUMBERS	E	D	C	B	A	NUMBER OF CONTACTS	PART NUMBER

THIS DRAWING IS A CONTROLLED DOCUMENT. DWN T. ALEXANDER 11-22-91
 DW D. GUTTER 1-3-92
 APVD D. GUTTER 1-3-92

STE TE Connectivity

RECEPTACLE ASSEMBLY, MINI-BOX, SPECIAL

SIZE: A1 CAGE CODE: 00779 DRAWING NO: C=446346 RESTRICTED TO: -
 WEIGHT: -
 MATERIAL: ① ② FINISH: ⑥

CUSTOMER DRAWING SCALE: 4:1 SHEET 1 OF 1 REV G

单击下面可查看定价，库存，交付和生命周期等信息

[>>TE Connectivity\(泰科\)](#)