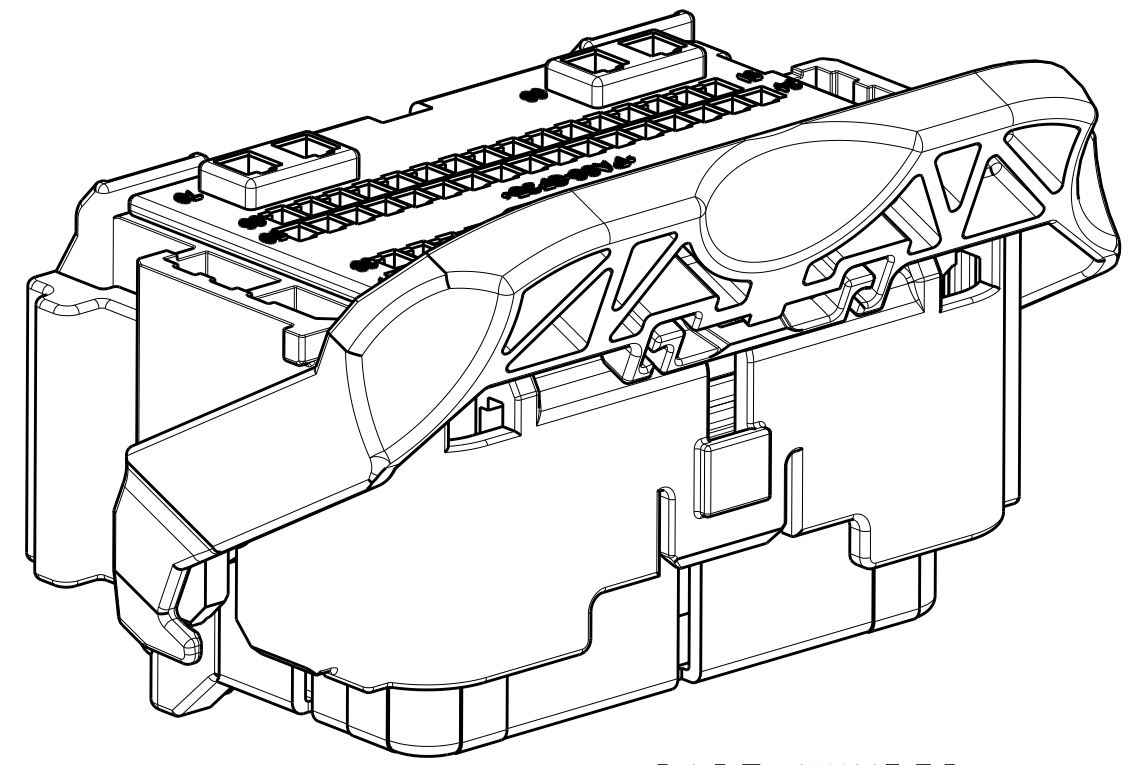
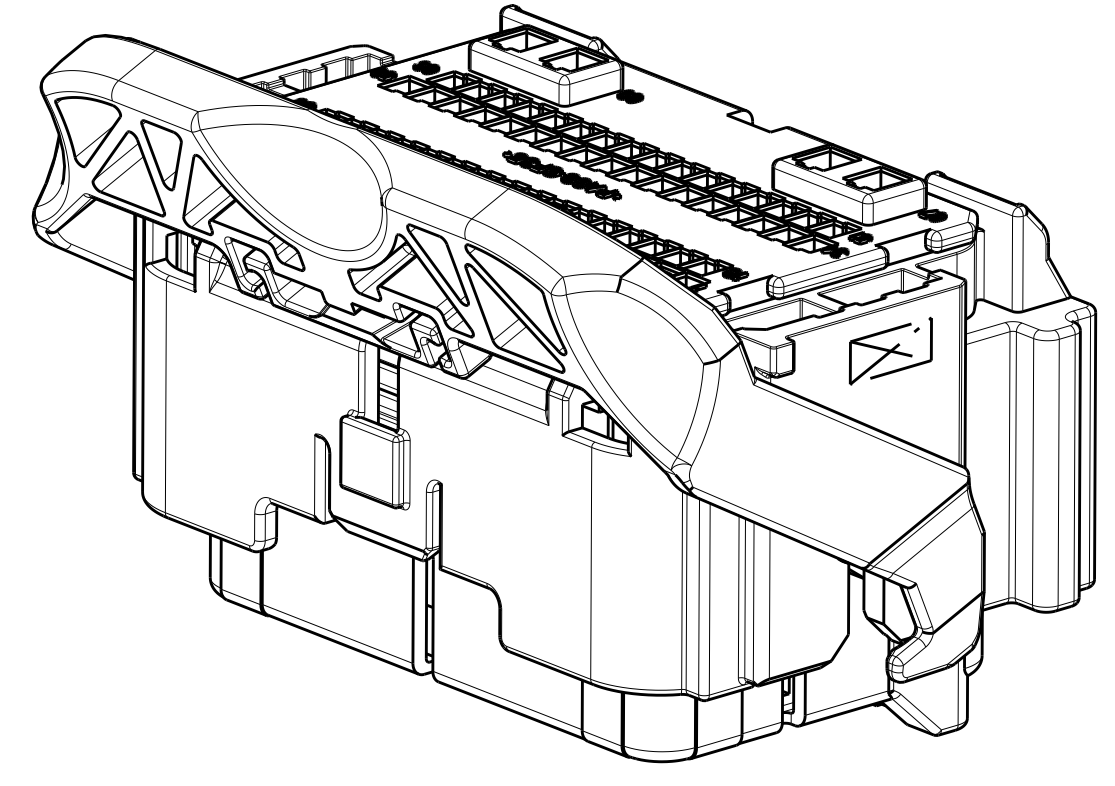
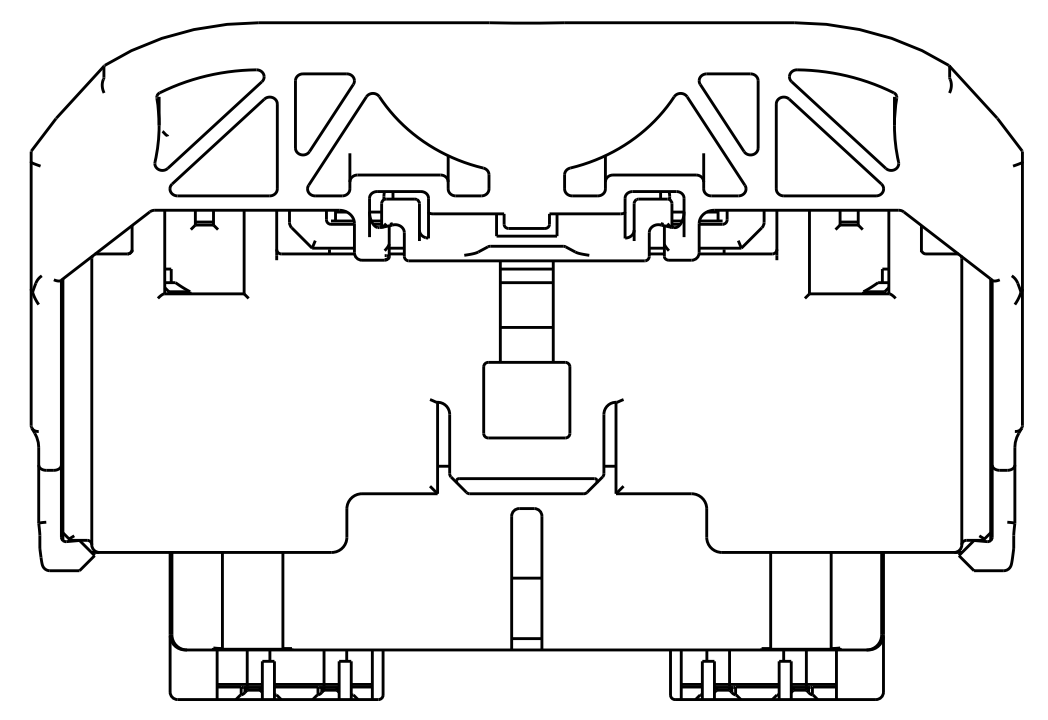


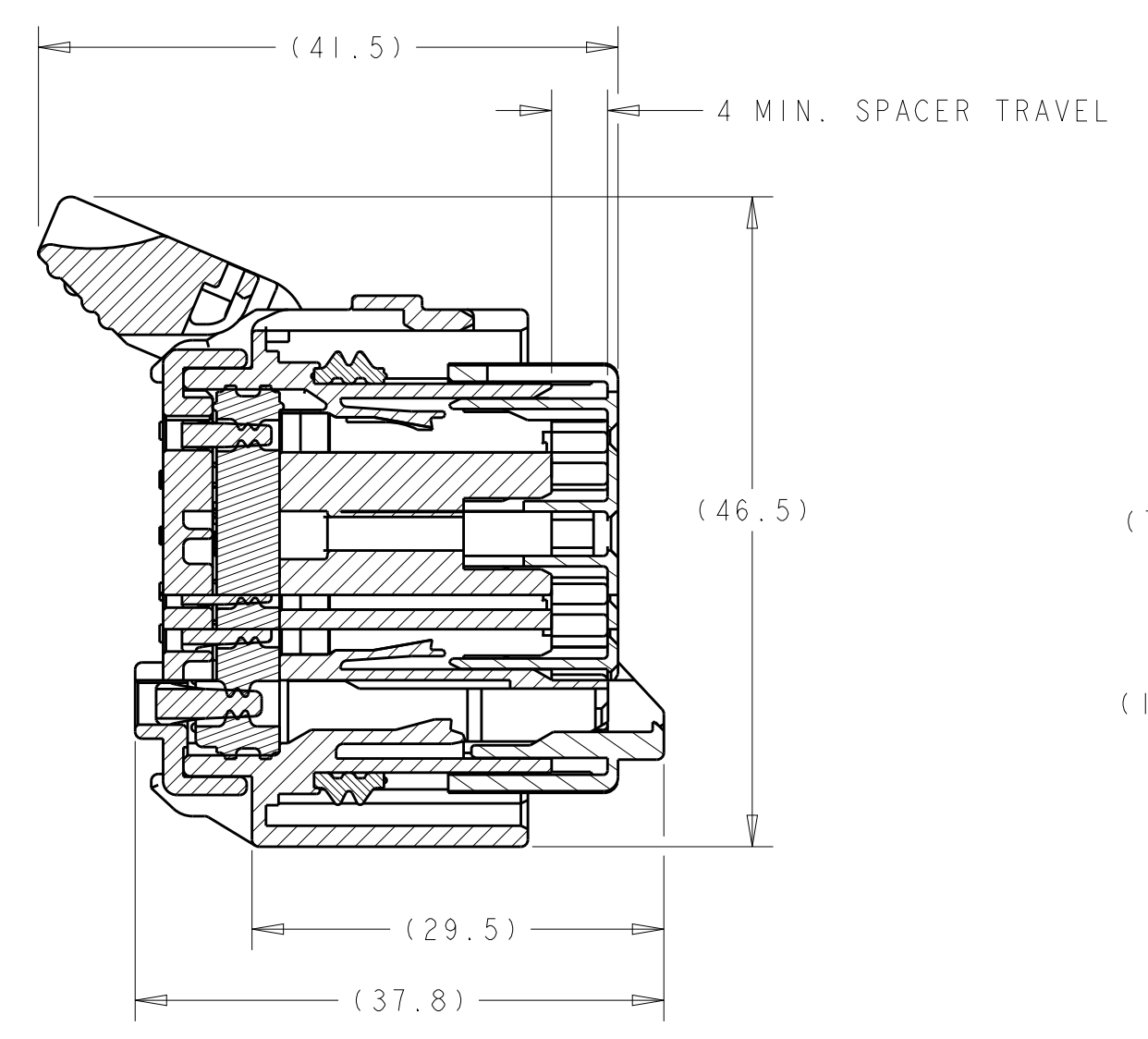
REVISIONS				
P.	LTN	DESCRIPTION	DATE	OWN APVD
G45		REVISED PER ECO-13-011449	16JUL2013	DLD DCM
G46		REVISED PER ECO-14-007153	19MAY2014	DLD DCM
G47		REVISED PER ECO-14-014965	09OCT2013	DLD DCM
G48		REVISED PER ECO-20-012739	05OCT2020	AP CM



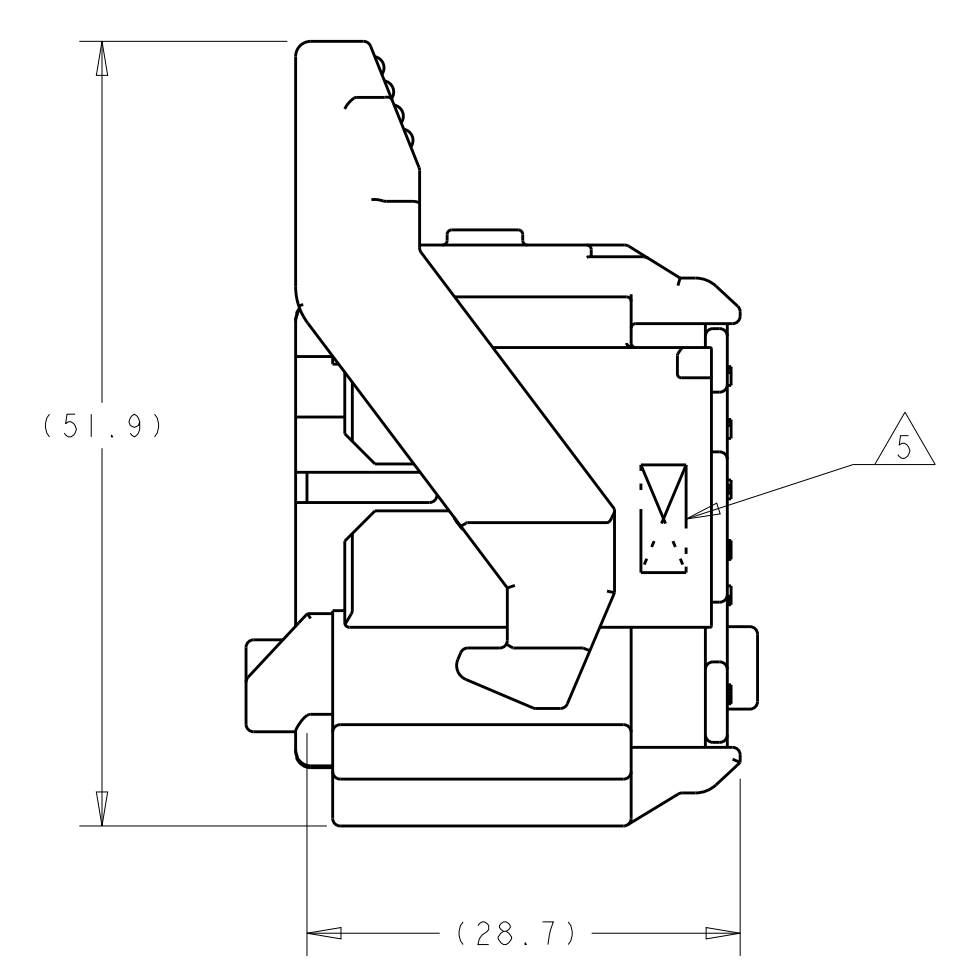
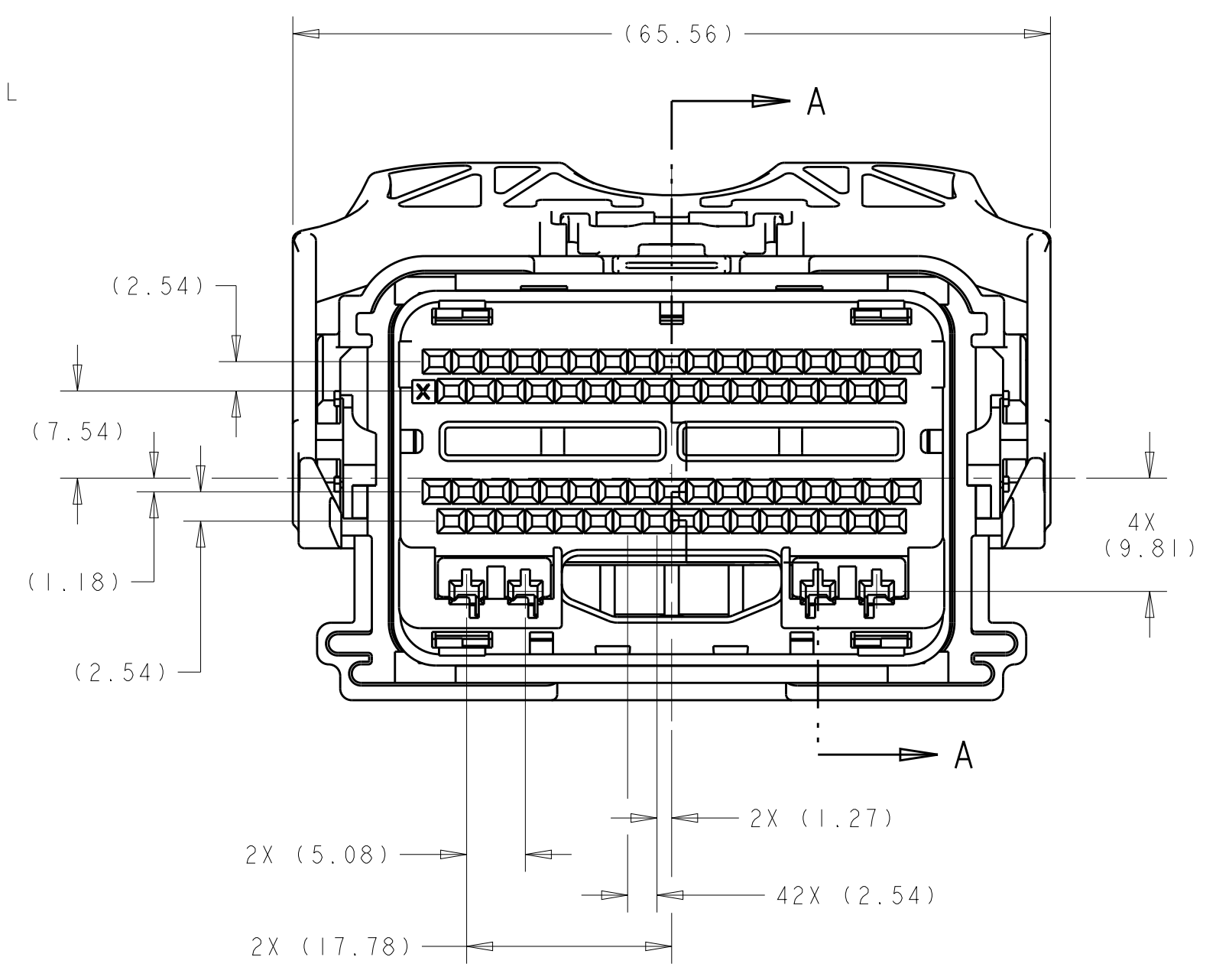
PART NUMBER:
1438136-1
SHOWN WITH SPACER
IN SEATED POSITION



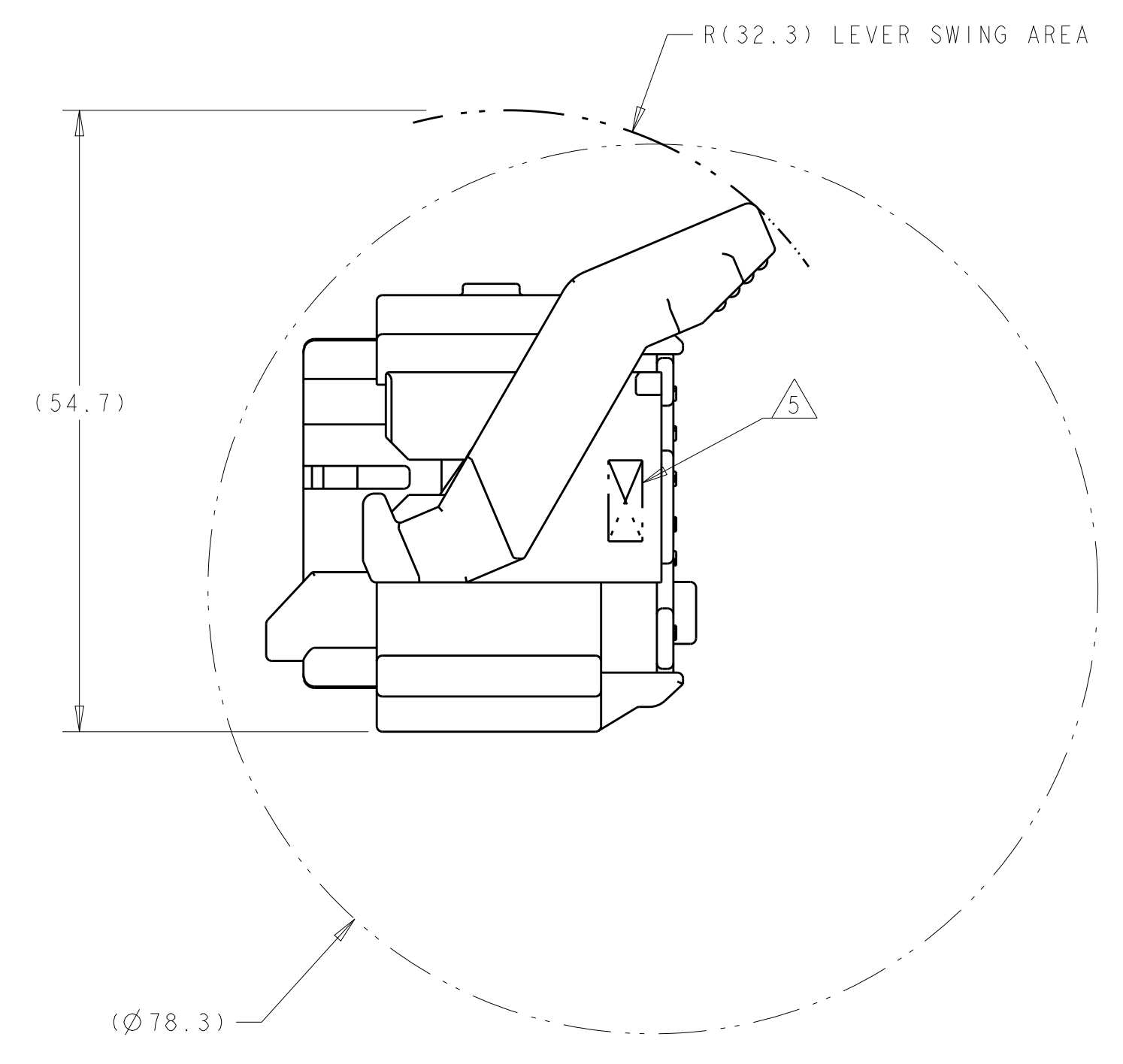
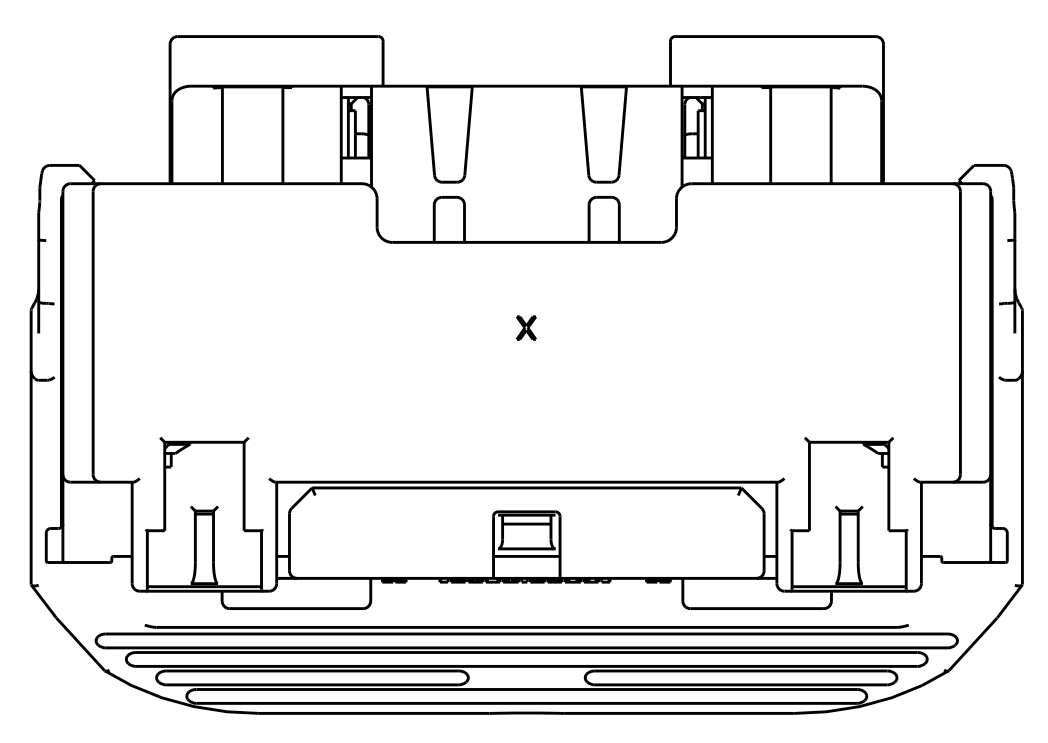
1. PRINT FORD PART NUMBER (SEE ATTACHED CHARTS) AND TRACEABILITY CODE (YY = 2 DIGIT YEAR, JJJ = JULIAN DATE, HH = 2 DIGIT MILITARY HOUR) IN THIS LOCATION AT ASSEMBLY. SEE SHEETS 3, 4 AND 5 (-*) PART NUMBERS.
 2. APPLICABLE MOLEX (1.5) POWER TERMINAL PART NUMBERS:
33012-0002 TIN 0.50-1.50mm²
 3. CAM LEVER AND SPACER ARE SHIPPED IN THEIR PRE-ASSEMBLED POSITIONS.
 4. REFERENCE TE INSTRUCTION SHEET 408-8893.
- △ COMPANY LOGO.
△ OBSOLETE PART.



SECTION A-A
SPACER AND LEVER
IN PRE-SEATED POSITION
(DELIVERY POSITION)



SHOWN WITH CAM
LEVER AND SPACER
IN LOADED POSITION



MIN. FEED THRU CONDITION
WITH 1mm CLEARANCE ALL AROUND
SHOWN WITH SPACER IN SEATED POSITION

APPLICABLE COMPONENTS (FOR REFERENCE ONLY)						
DESCRIPTION	NOMINAL TERMINAL SIZE	COLOR/PLATING	FORD COMPONENT PART NUMBER	SUPPLIER PART NUMBER	MATERIAL/SPECIFICATION NUMBER	SAE WIRE SIZE
TERMINAL - FEMALE (Ag)	0.64 (CAT. 0)	SILVER	7S4T-14474-AA	1393366-2	COPPER ALLOY/SILVER PLATE	20AWG 18AWG
TERMINAL - FEMALE (Ag)	0.64 (CAT. 0)	SILVER	7S4T-14474-BA	1393367-2	COPPER ALLOY/SILVER PLATE	22AWG
TERMINAL - FEMALE (Sn)	0.64 (CAT. 0)	TIN	1L2T-14474-AA	1393366-1	COPPER ALLOY/TIN PLATE	20AWG 18AWG
TERMINAL - FEMALE (Sn)	0.64 (CAT. 0)	TIN	1L2T-14474-BA	1393367-1	COPPER ALLOY/TIN PLATE	22AWG
TERMINAL - FEMALE (Au)	0.64 (CAT. 0)	GOLD	1L2T-14474-CA	1393365-1	COPPER ALLOY/GOLD PLATE	20AWG 18AWG
TERMINAL - FEMALE (Au)	0.64 (CAT. 0)	GOLD	1L2T-14474-DA	1393364-1	COPPER ALLOY/GOLD PLATE	22AWG

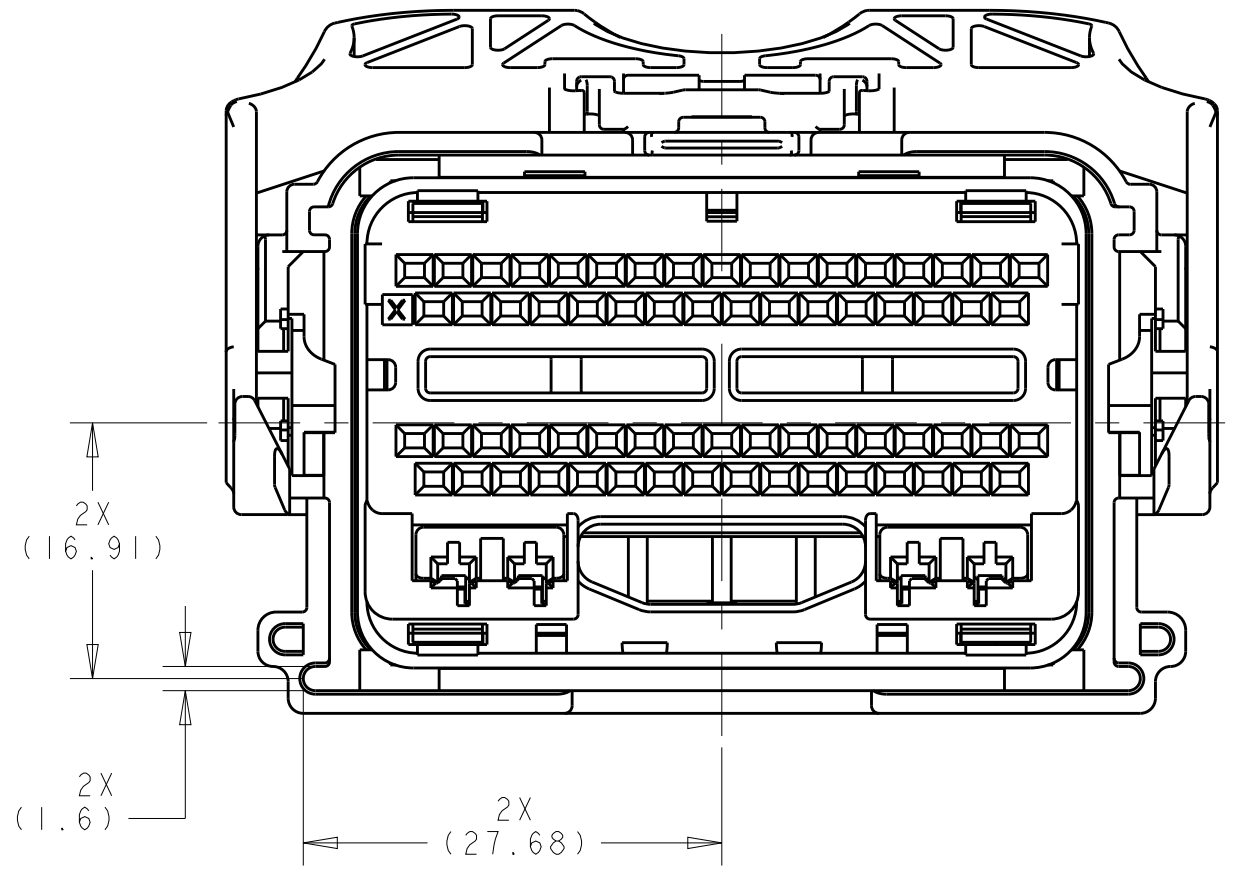
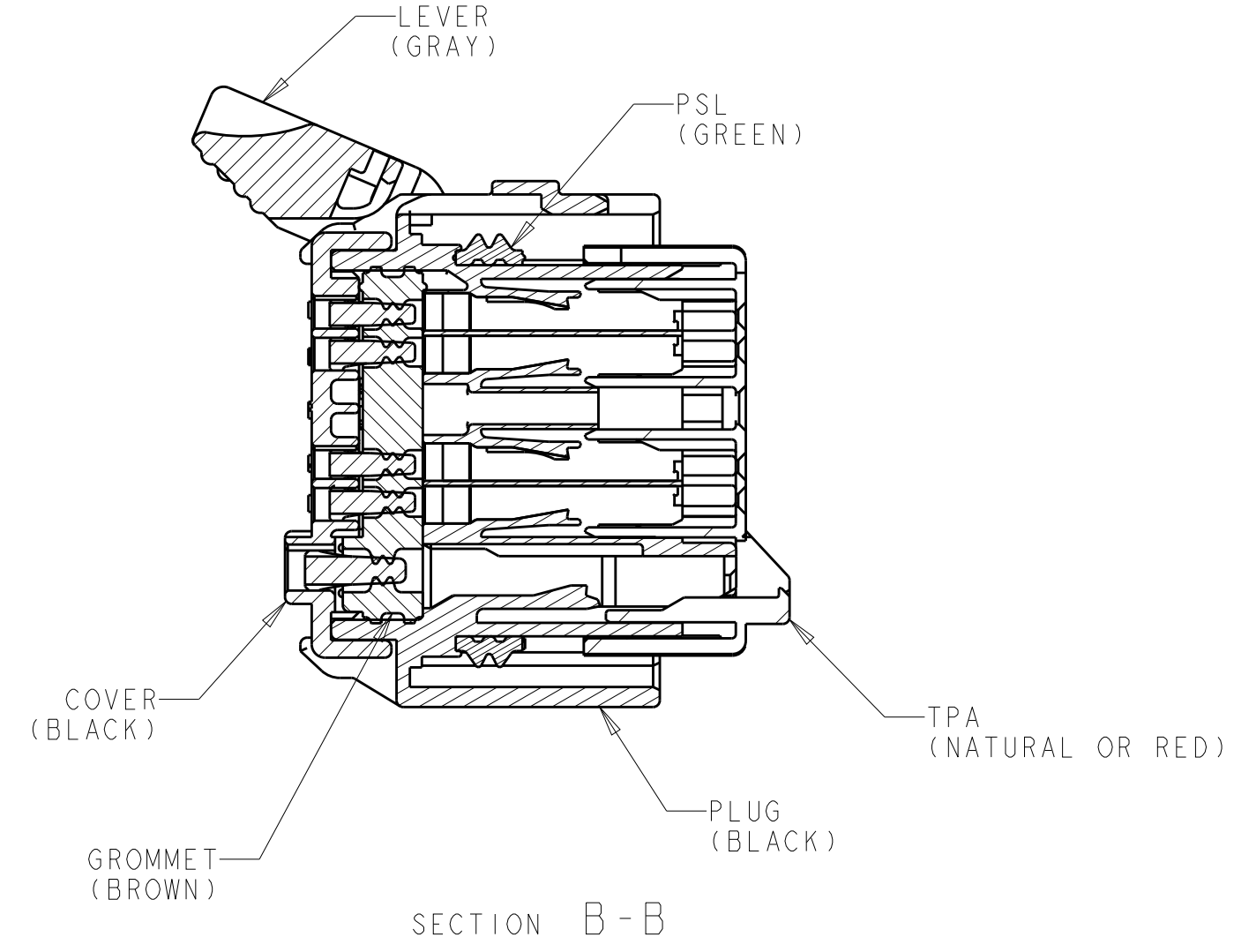
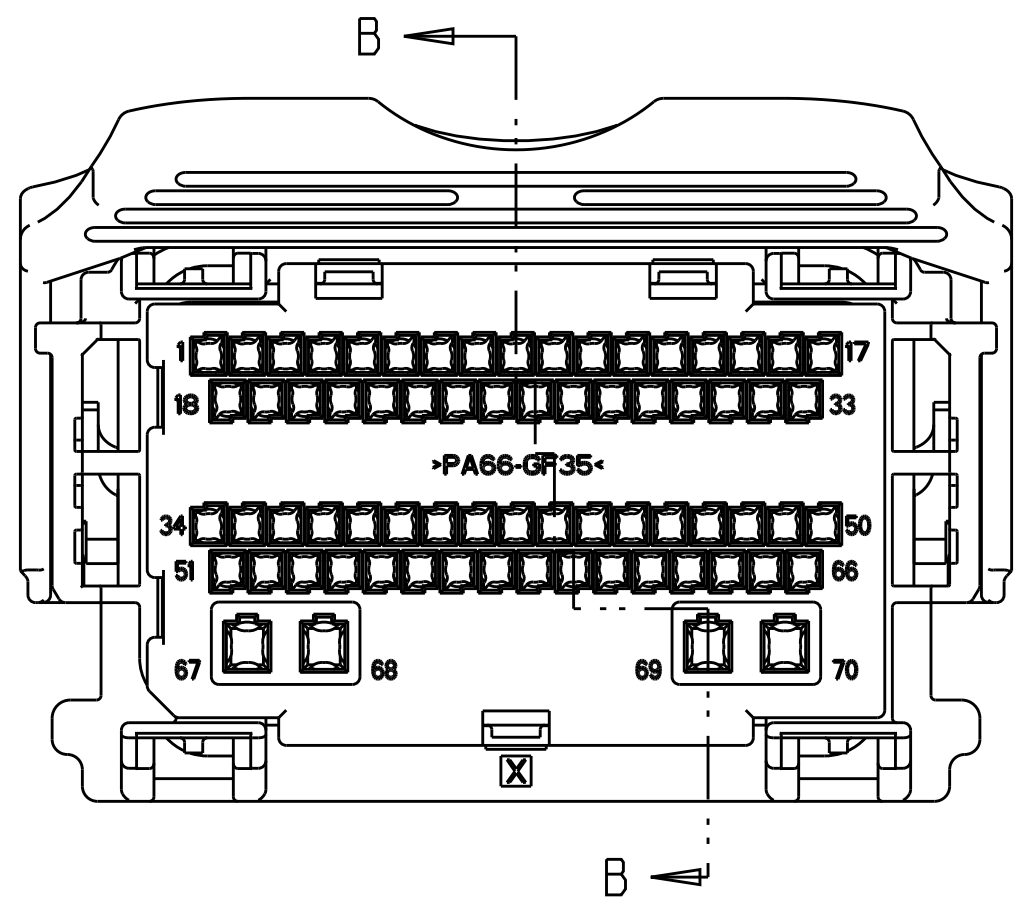
SEE SHEETS 3 THRU 7
PART NUMBER

THIS DRAWING IS A CONTROLLED DOCUMENT.

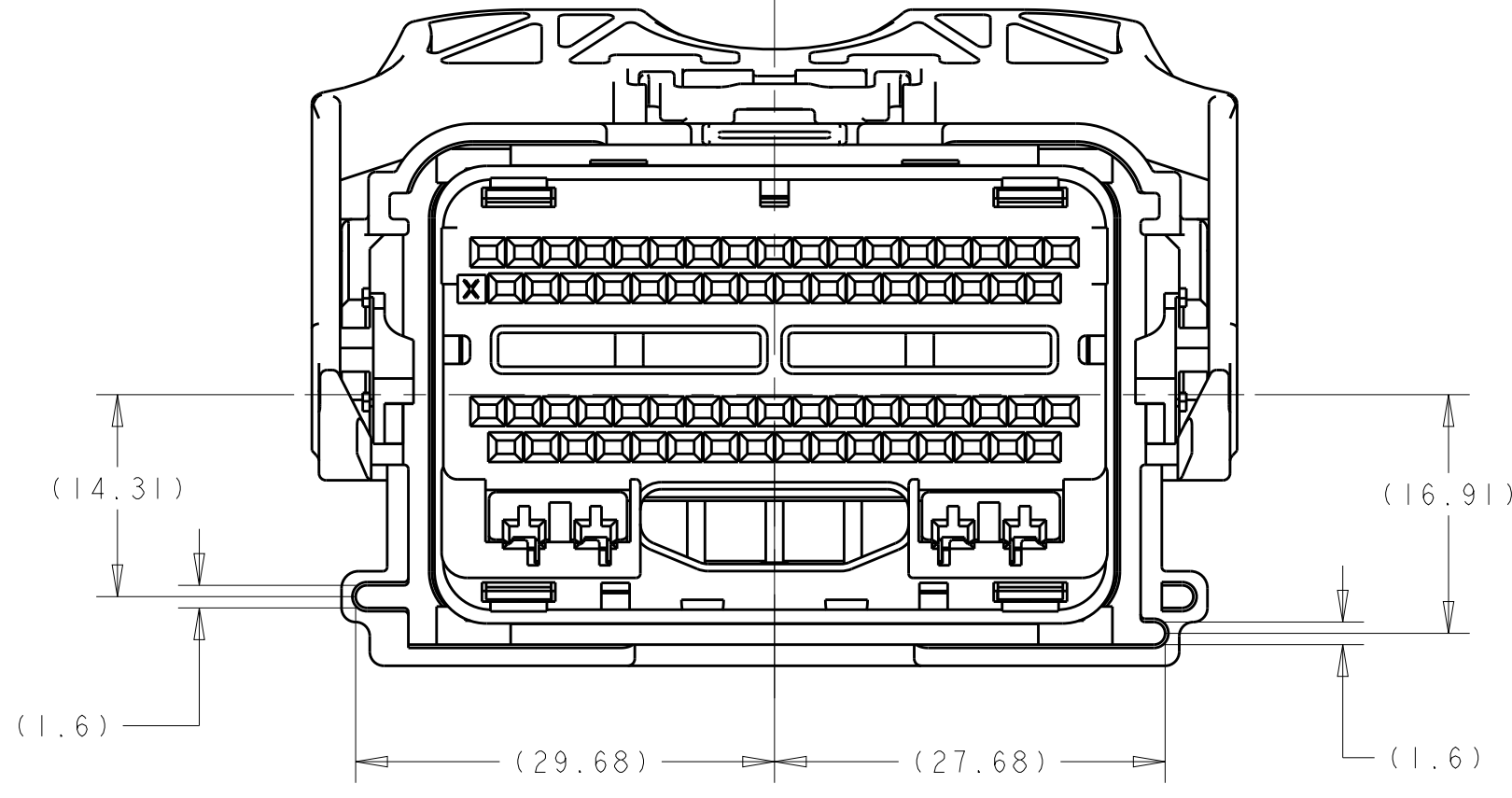
OWN: R. VESTAL 15APR2005		NAME: 70-WAY HARNESS ASSEMBLY
CHK: T. VALASEK 15APR2005		PRODUCT SPEC: -
APVD: T. VALASEK 15APR2005		APPLICATION SPEC: -
TOLERANCES UNLESS OTHERWISE SPECIFIED:		SIZE: A1

SCALE: 2:1 SHEET 1 OF 11 REV: G48

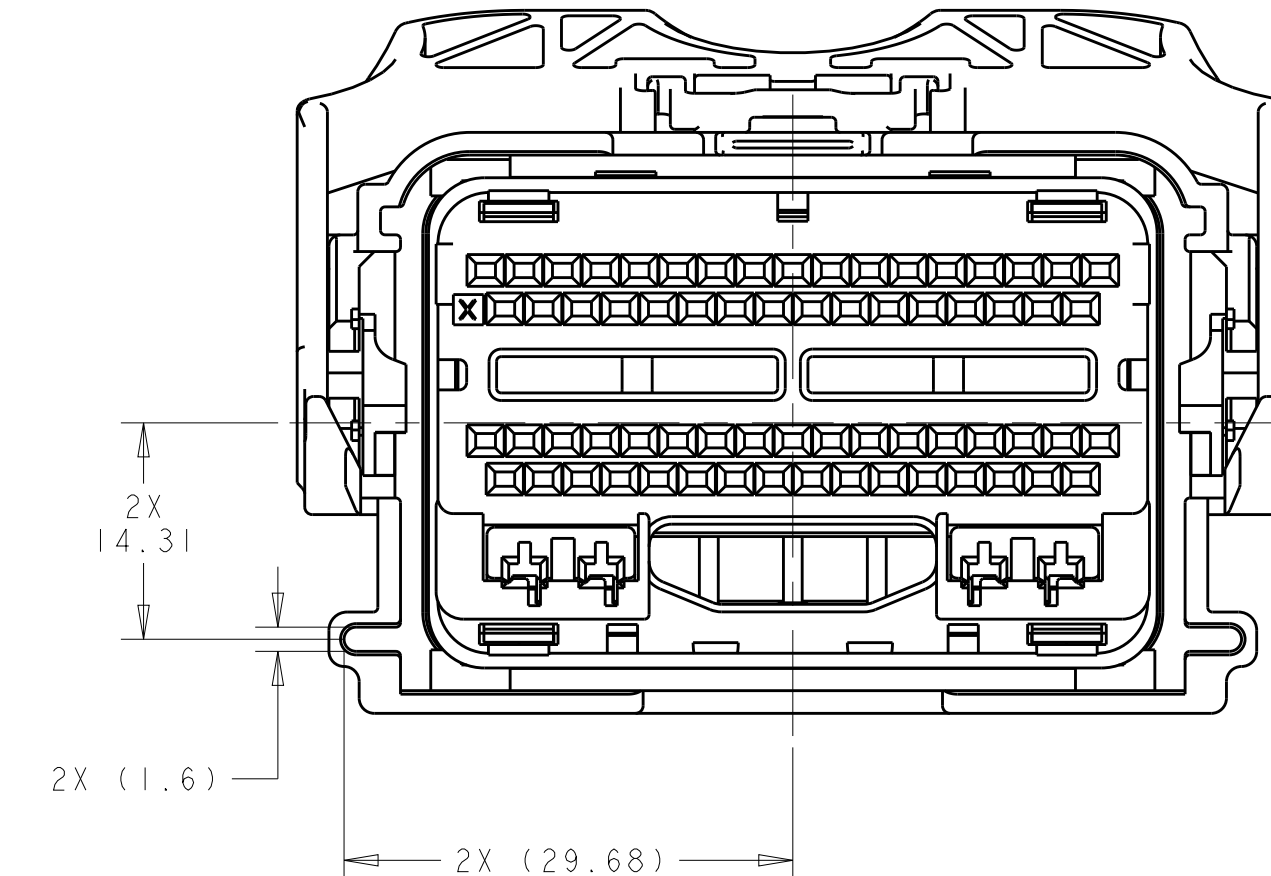
REVISIONS				
P.	LTN	DESCRIPTION	DATE	APP'D
-	-	SEE SHEET 1	-	-



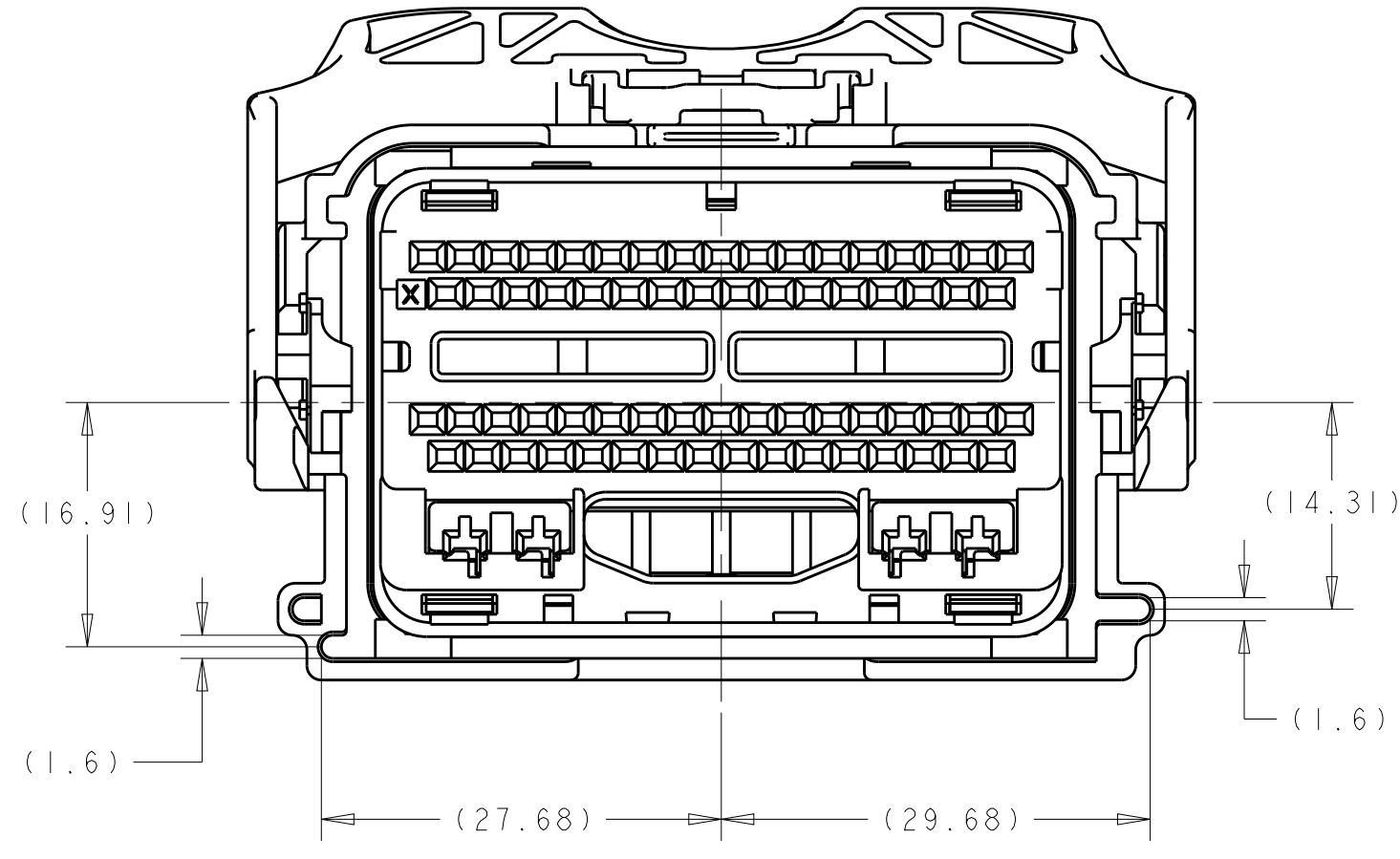
KEYING OPTION "A"



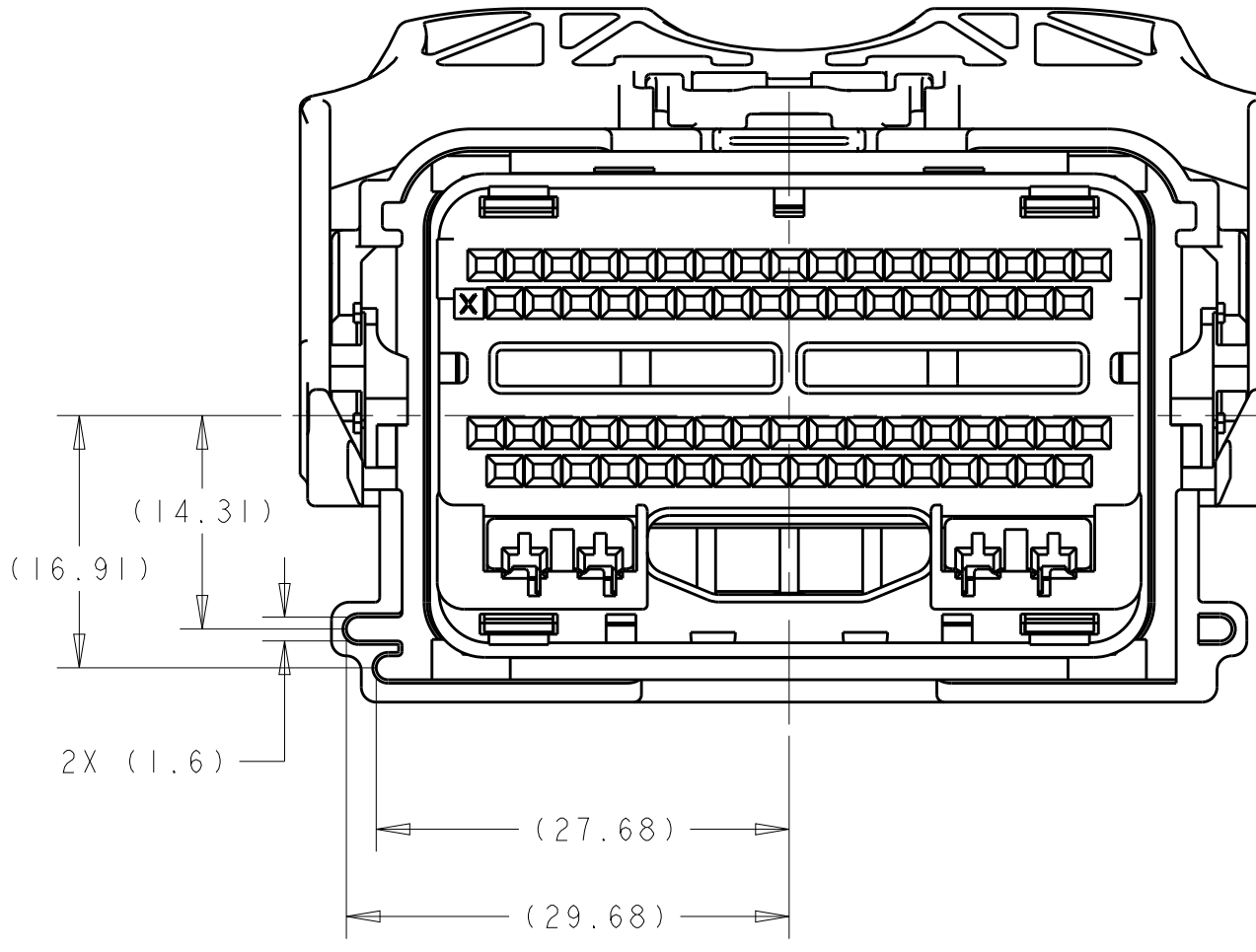
KEYING OPTION "B"



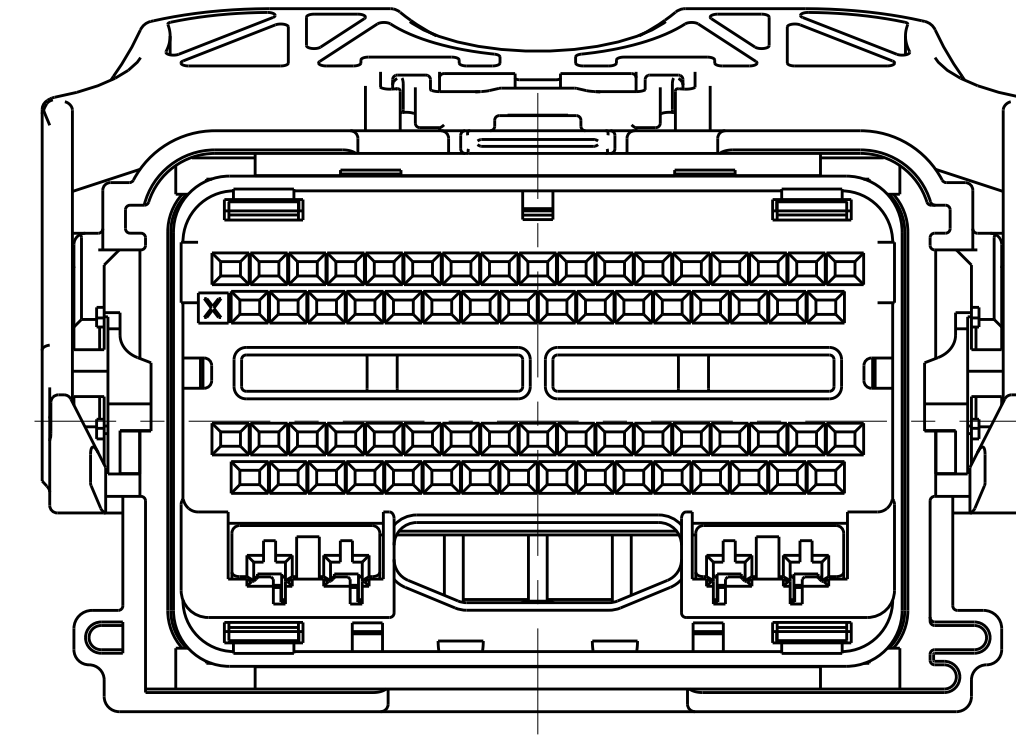
KEYING OPTION "C"



KEYING OPTION "D"



KEYING OPTION "E"



KEYING OPTION "F"

THIS DRAWING IS A CONTROLLED DOCUMENT.		OWN: R. VESTAL 15APR2005	TE Connectivity
DIMENSIONS: mm		CHK: T. VALASEK 15APR2005	
TOLERANCES UNLESS OTHERWISE SPECIFIED:		APVD: T. VALASEK 15APR2005	NAME: 70-WAY HARNESS ASSEMBLY
0 PLC	±	PRODUCT SPEC	SIZE: A100779C=1438136
1 PLC	±0.3	APPLICATION SPEC	RESTRICTED TO: -
2 PLC	±0.10	WEIGHT: -	SCALE: 2:1
3 PLC	±	CUSTOMER DRAWING	SHEET 2 OF 11
4 PLC	±		REV: 648
ANGLES	±1°		
MATERIAL: -			
FINISH: -			

REVISIONS				
P.	LTN	DESCRIPTION	DATE	OWN APVD
-	-	SEE SHEET 1	-	-

		57	55	51	49	43	36	35	33	30	27	25	24	23	22	18	17	15	11	10	9	8	6	3	2	1	3-2035383-0	8U5T-14A464-BA-056
		56	55	54	52	51	49			39	36	35	34	33	31				12		9			4		1	2-2035383-9	8U5T-14A464-BA-055
		55	54	51	49																						2-2035383-7	8U5T-14A464-BA-054
	64 63	55	54	51	49	48				41																	2-2035383-5	8U5T-14A464-BA-053
		57	56	55	54	51	49			39	36	35	33														2-2035383-4	8U5T-14A464-BA-052
		57	56	55	54	51	49			39	36	35	33														1-2035383-9	8U5T-14A464-BA-051
	64 63	55	54	51	49	48				41																	1-2035383-8	8U5T-14A464-BA-050
		57	55	54		49				43	41	39															1-2035383-3	8U5T-14A464-BA-049
		57	55	54	51	49				43	41	39	36	35	33	30											1-2035383-2	8U5T-14A464-BA-048
		57	55	54		49				41	40	39															2035383-9	8U5T-14A464-BA-047
	64 63	55	54	51	49	48				41																	2035383-7	8U5T-14A464-BA-046
		57	56	55	54	51	49			39	36	35	33														2035383-1	8U5T-14A464-BA-045
		55	54		49					39																	9-1456659-8	8U5T-14A464-BA-044
		56	55	54	52	51	49			39	36	35	34	33	31												9-1456659-6	8U5T-14A464-BA-043
		57	55	54	53	51	49			37																	9-1456659-3	8U5T-14A464-BA-042
		57	55	54	53	52	51	49		37																	9-1456659-1	8U5T-14A464-BA-041
		57	55	54	51	49				43	39	36	35	33	30												8-1456659-9	8U5T-14A464-BA-040
		57	55	54	51	49				43	39	36	35	33													8-1456659-8	8U5T-14A464-BA-039
		57	55	54	53	51	49			37	35	34	33	32	30												8-1456659-7	8U5T-14A464-BA-038
		57	55	54	51	49				43	39	36	35	33	30												8-1456659-4	8U5T-14A464-BA-037
		57	55	54		49				39																	8-1456659-3	8U5T-14A464-BA-036
		57	55	54		49				39																	8-1456659-2	8U5T-14A464-BA-035
		57	55	54		49				41	40	39															8-1456659-1	8U5T-14A464-BA-034
		56	55	54	51	49				39	36	35	34	33	31												8-1456659-0	8U5T-14A464-BA-033
		56	55	54	52	51	49			39	36	35	34	33	31												7-1456659-9	8U5T-14A464-BA-032
		56	55	54	52	51	49			39	36	35	34	33	31												7-1456659-8	8U5T-14A464-BA-031
		57	56	55	54	51	49			39	36	35	33														7-1456659-7	8U5T-14A464-BA-030
		57	55	54	51	49				43	39	36	35	33													7-1456659-6	8U5T-14A464-BA-029
		57	55	54	51	49				43	39	36	35	33	30												7-1456659-5	8U5T-14A464-BA-028
		57	55	54	51	49				43	39	36	35	33													7-1456659-4	8U5T-14A464-BA-027
		57	55	54	53	51	49			37																	7-1456659-3	8U5T-14A464-BA-026
		57	55	54	53	51	49			37	35	33	32	30													6-1456659-9	8U5T-14A464-BA-025
		57	56	54	51	49				39	36	35	33														6-1456659-8	8U5T-14A464-BA-024
		57	55	51	49					43	39	36	35	33	30												6-1456659-7	8U5T-14A464-BA-023
		57	56	55	54	51	49			39	36	35	33														6-1456659-6	8U5T-14A464-BA-022
		57	55	54	51	49				43	39	36	35	33													6-1456659-5	8U5T-14A464-BA-021
		56	55	54	51	49				39	36	35	34	33	31												6-1456659-4	8U5T-14A464-BA-020
		57	55	54	53	52	51	49		37																	6-1456659-3	8U5T-14A464-BA-019
		56	55	54	52	51	49			39	36	35	34	33	31												6-1456659-2	8U5T-14A464-BA-018
		56	55	54	51	49				39	36	35	34	33	31												6-1456659-1	8U5T-14A464-BA-017
		57	55	54	51	49				43	39	36	35	33	30												5-1456659-2	8U5T-14A464-BA-016
		57	55	54	51	49				43	39	36	35	33													5-1456659-1	8U5T-14A464-BA-015
		57	55	54	53	52	51	49		37																	4-1456659-1	8U5T-14A464-BA-014
		57	56	54	52	51	49			39	36	35	33	31	30												2-1456659-9	8U5T-14A464-BA-013
		57	56	54	51	49				39	36	35	33														2-1456659-8	8U5T-14A464-BA-012
		57	55	54	53	51	49			37																	2-1456659-7	8U5T-14A464-BA-011
		57	55	54	51	49				43	39	36	35	33	30												2-1456659-6	8U5T-14A464-BA-010
		57	55	54	53	51	49			37	36	35	33	32	30												1-1456659-2	8U5T-14A464-BA-009
		57	56	55	54	51	49			39	36	35	33														1456659-8	8U5T-14A464-BA-008
		57	56	55	54	51	49			39	36	35	33	30													1456659-1	8U5T-14A464-BA-007
		59	57	56	55	54	51	49		43	39	36	35	33													9-1438136-9	8U5T-14A464-BA-006
		57	56	54	51	49				39	36	35	33														9-1438136-8	8U5T-14A464-BA-005
		57	56	54	52	51	49			39	36	35	33	31	30												9-1438136-7	8U5T-14A464-BA-004
		57	56	54	51	49				39	36	35	33														9-1438136-6	8U5T-14A464-BA-003
		57	56	54	52	51	49			39	36	35	33	31	30												8-1438136-9	8U5T-14A464-BA-002
		57	56	54	53	51	49			39	37	36	35	34	33	30											8-1438136-4	8U5T-14A464-BA-001
																											1438136-4	8U5T-14A464-BA-000

KEYING OPTION D

CAVITIES WITH A NUMERIC SYMBOL INDICATES CLOSED TERMINAL LOCATIONS
 BLANK CAVITIES INDICATES OPEN TERMINAL HOLE LOCATIONS

8U5T-14A464-B* PIN-OUT CHART

ASSEMBLY PART NUMBER
 FORD PART NUMBER

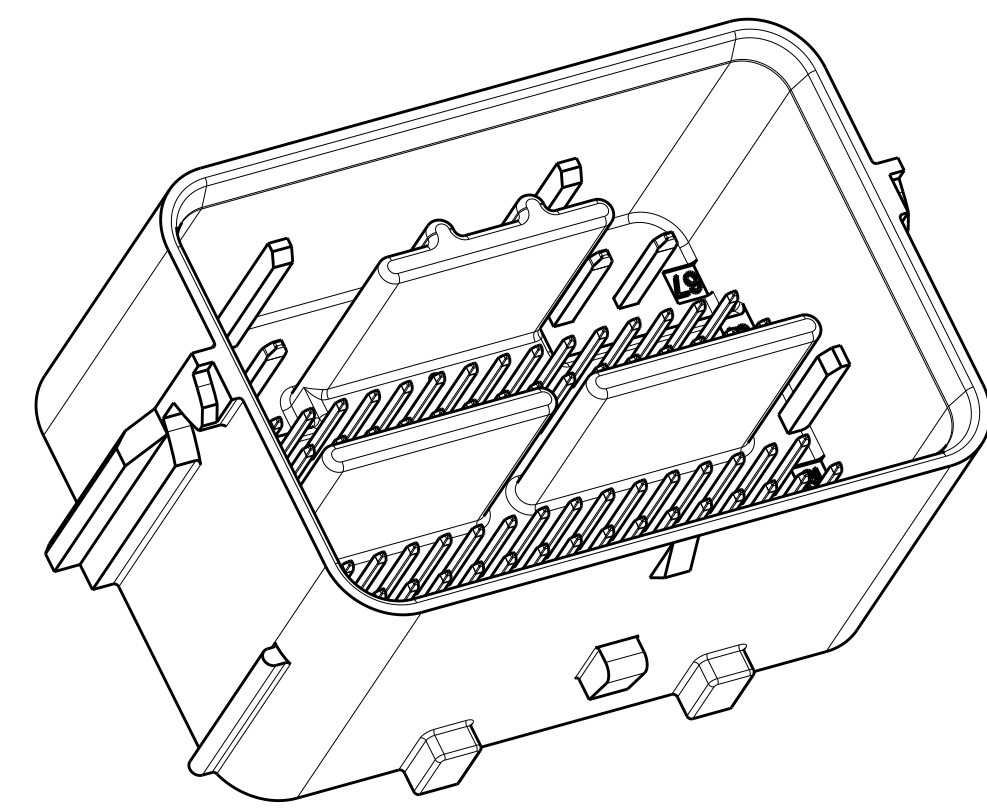
THIS DRAWING IS A CONTROLLED DOCUMENT. DWN: R. VESTAL 15APR2005
 CHK: T. VALASEK 15APR2005
 APVD: T. VALASEK 15APR2005

TE Connectivity

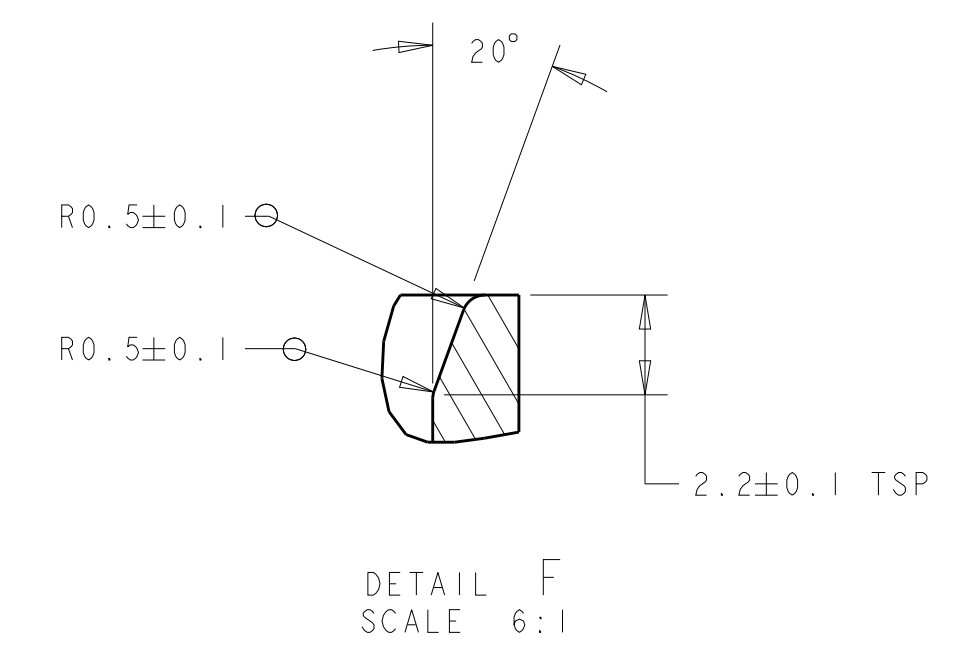
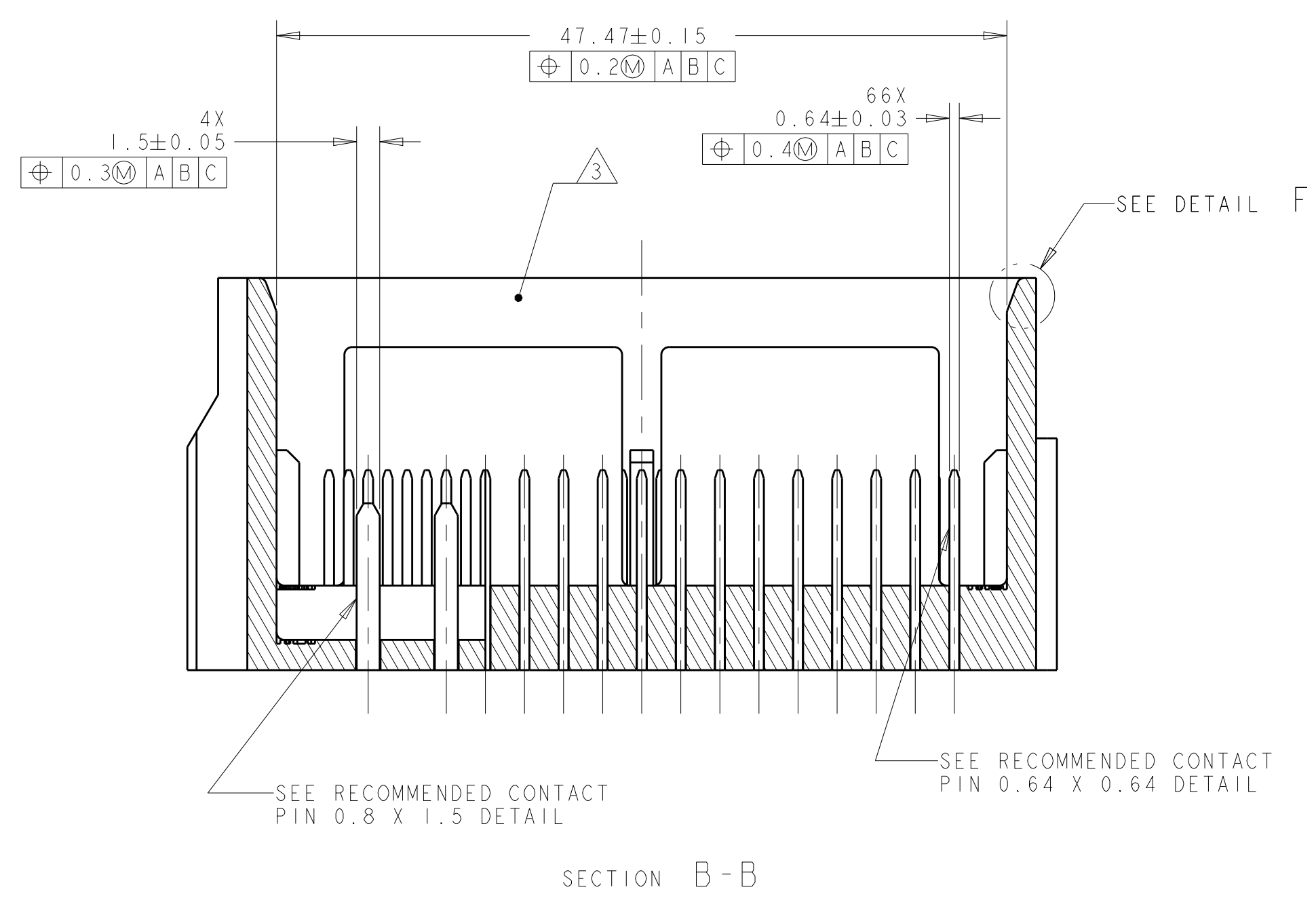
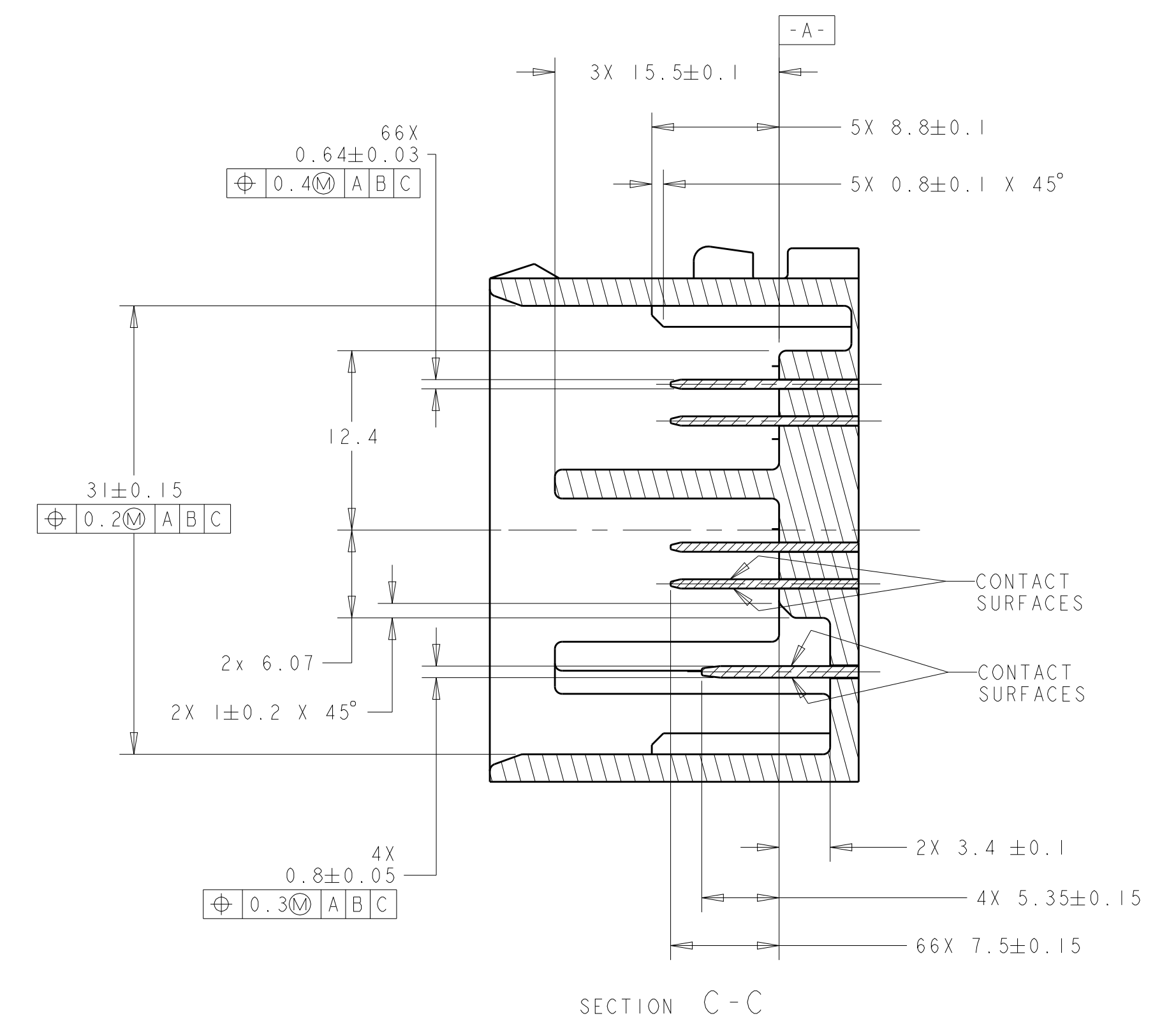
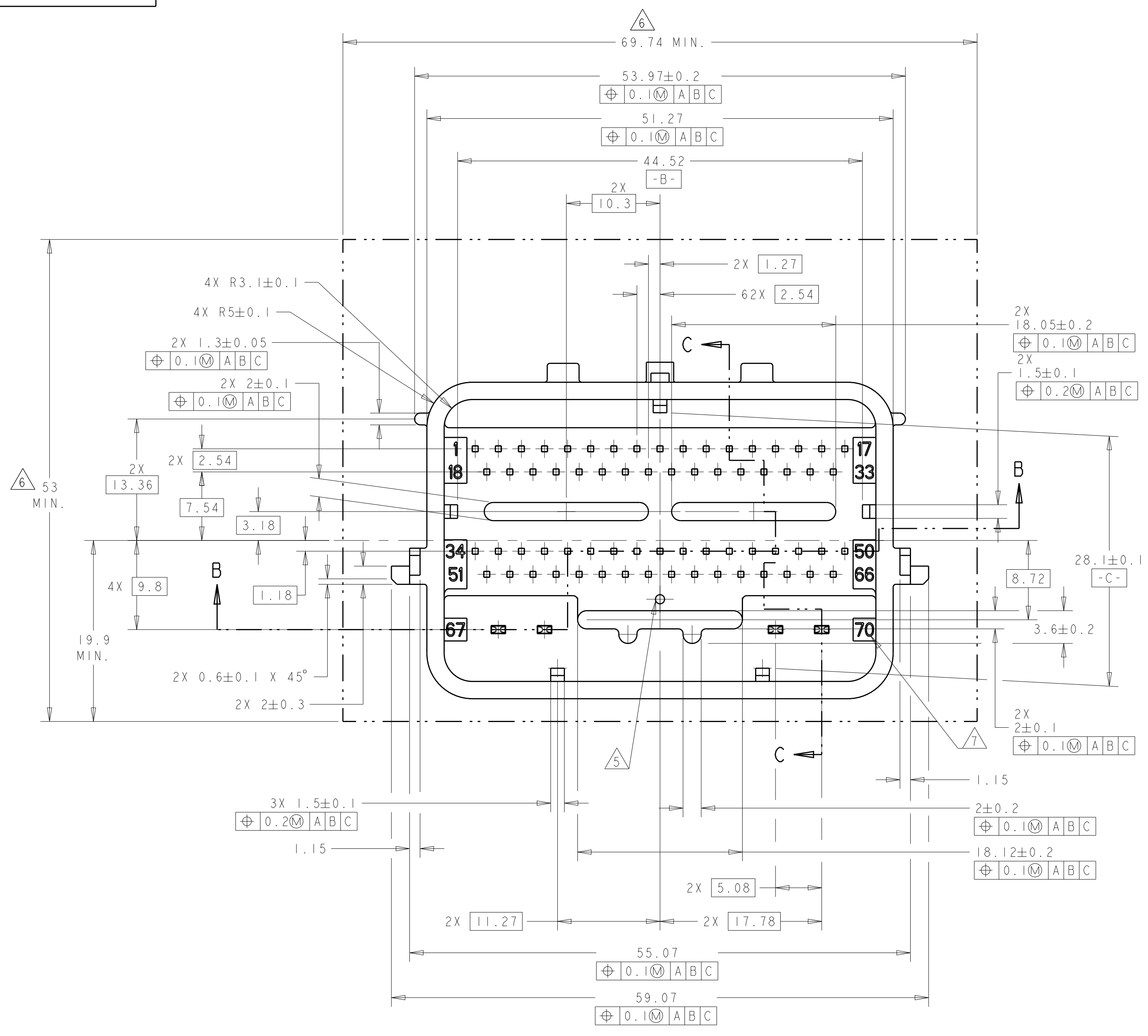
70-WAY HARNESS ASSEMBLY

SIZE: CAGE CODE: DRAWING NO: A100779 C=1438136
 SHEET 7 OF 11 REV 648

REVISIONS				
P.	LTN.	DESCRIPTION	DATE	APPV.
-	-	SEE SHEET 1	-	-



SCALE 2:1

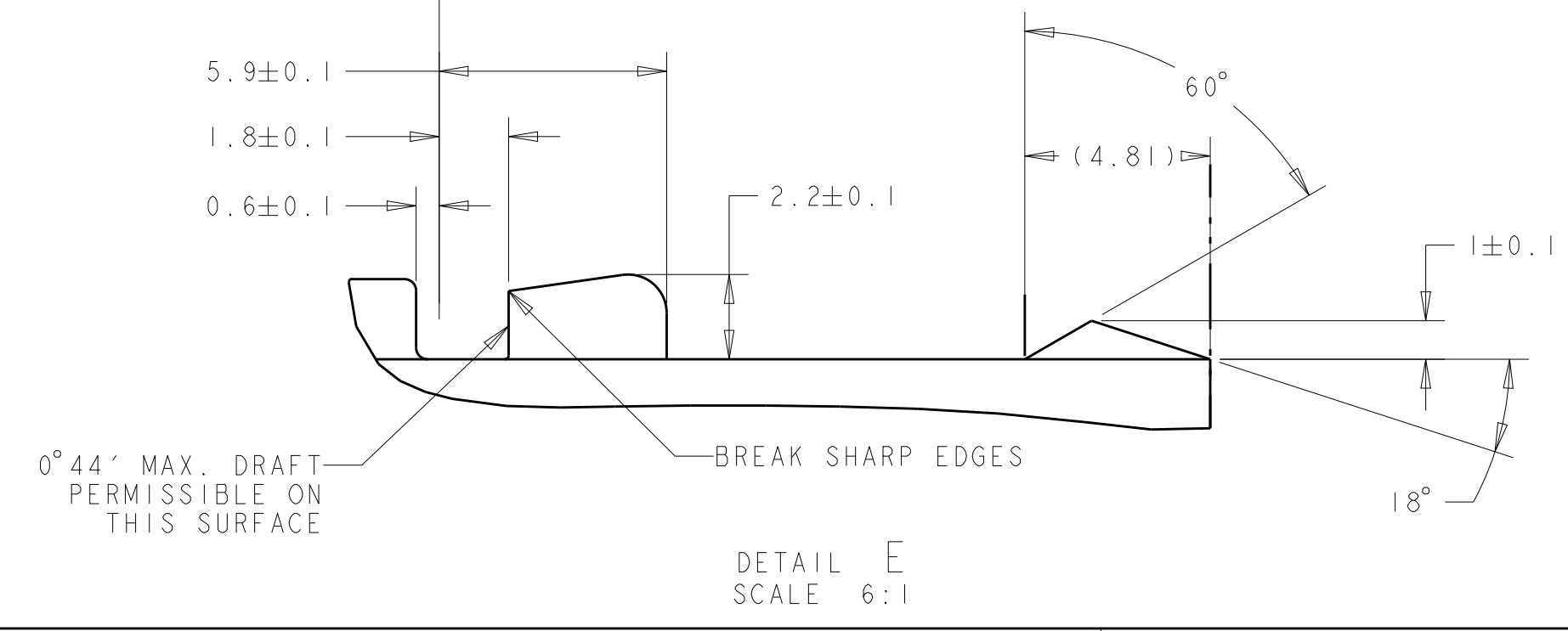
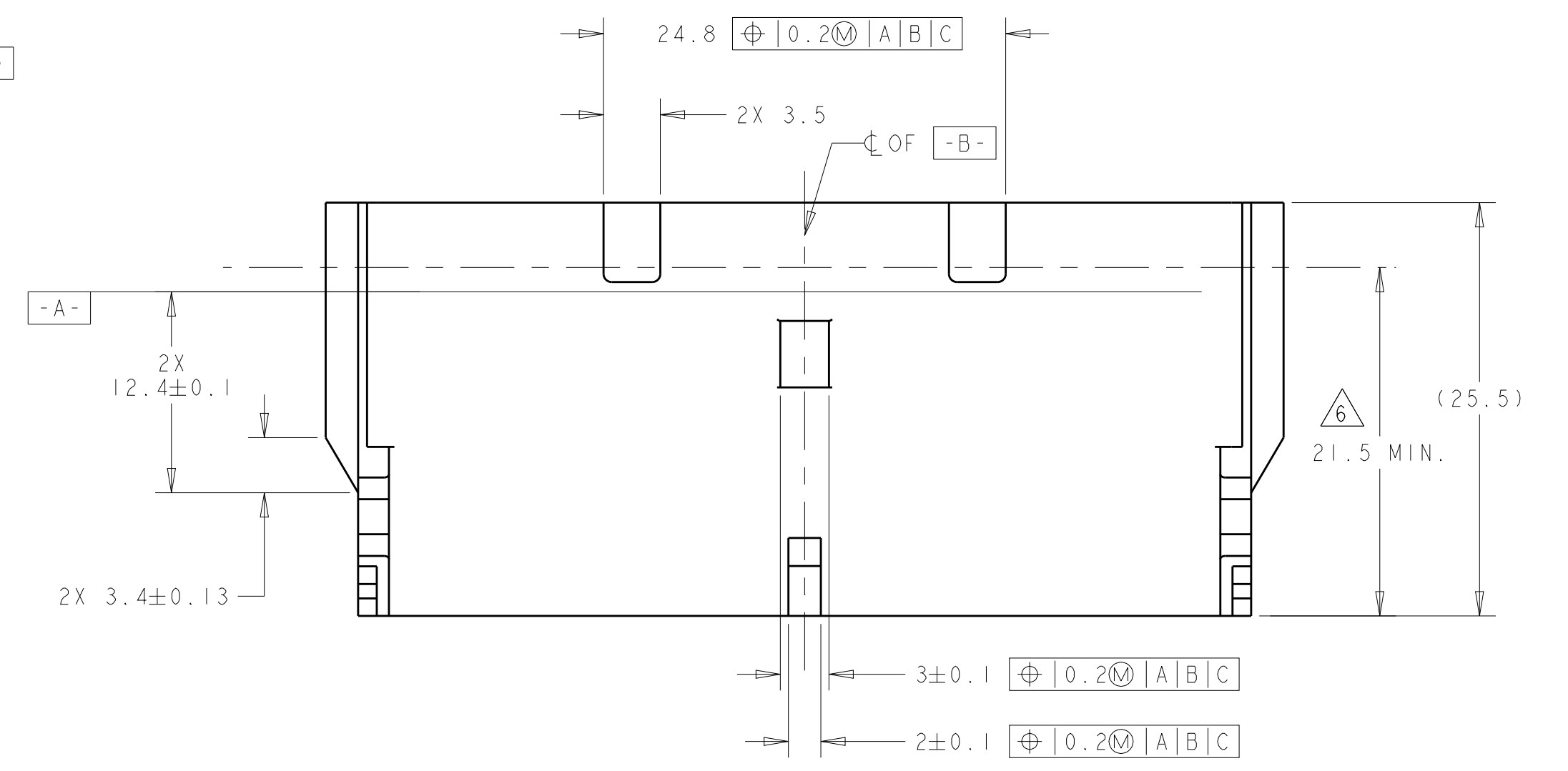
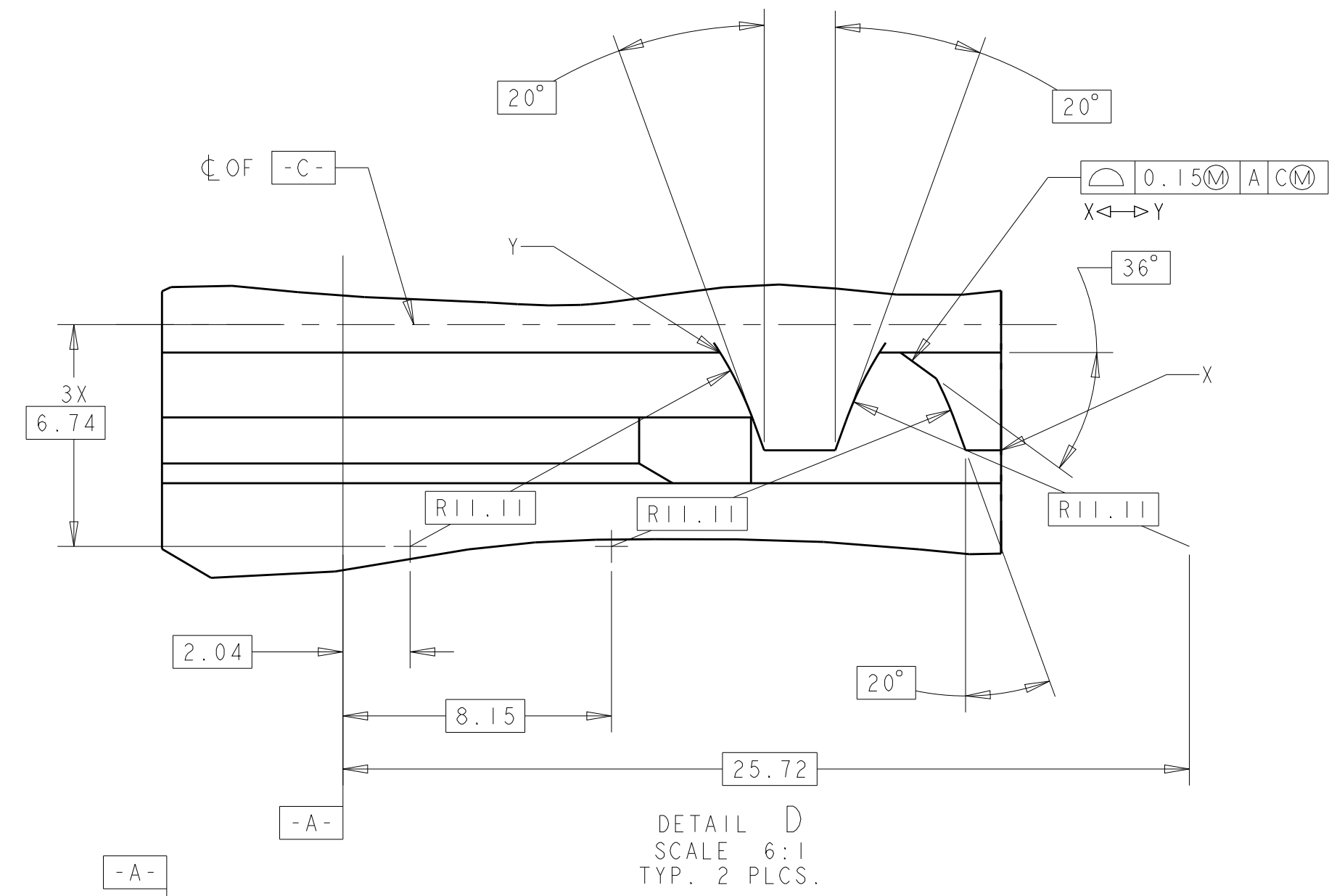
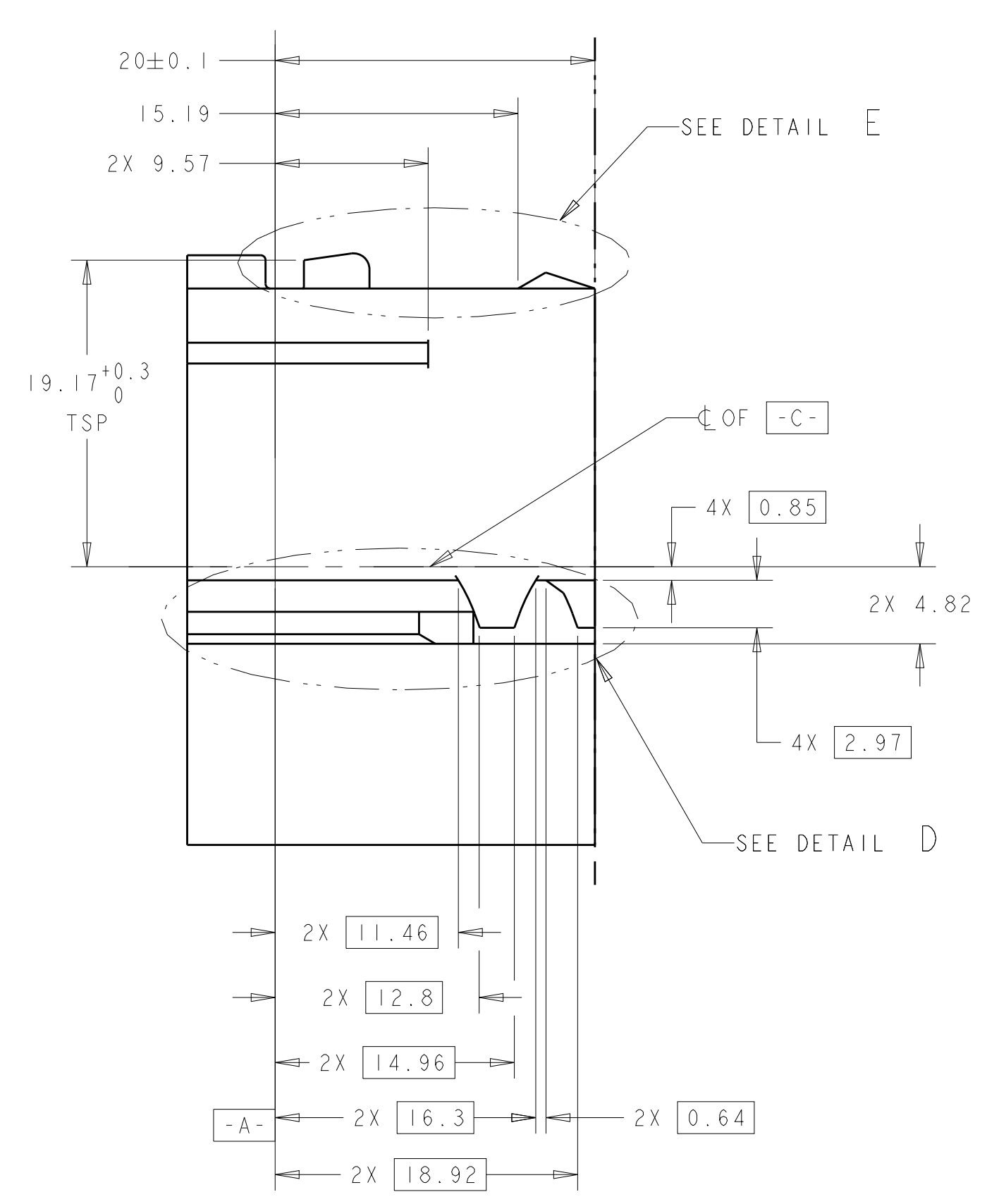
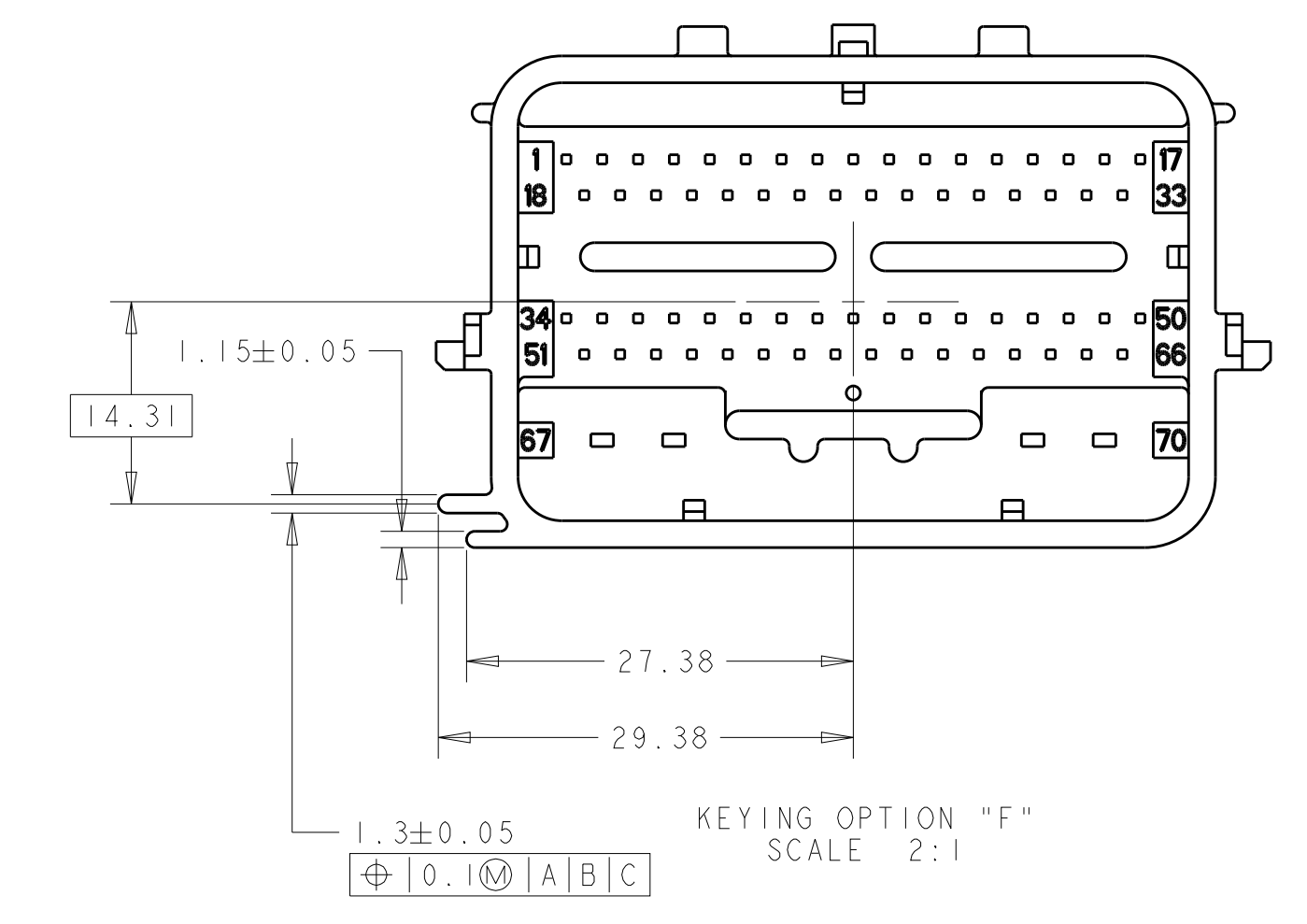
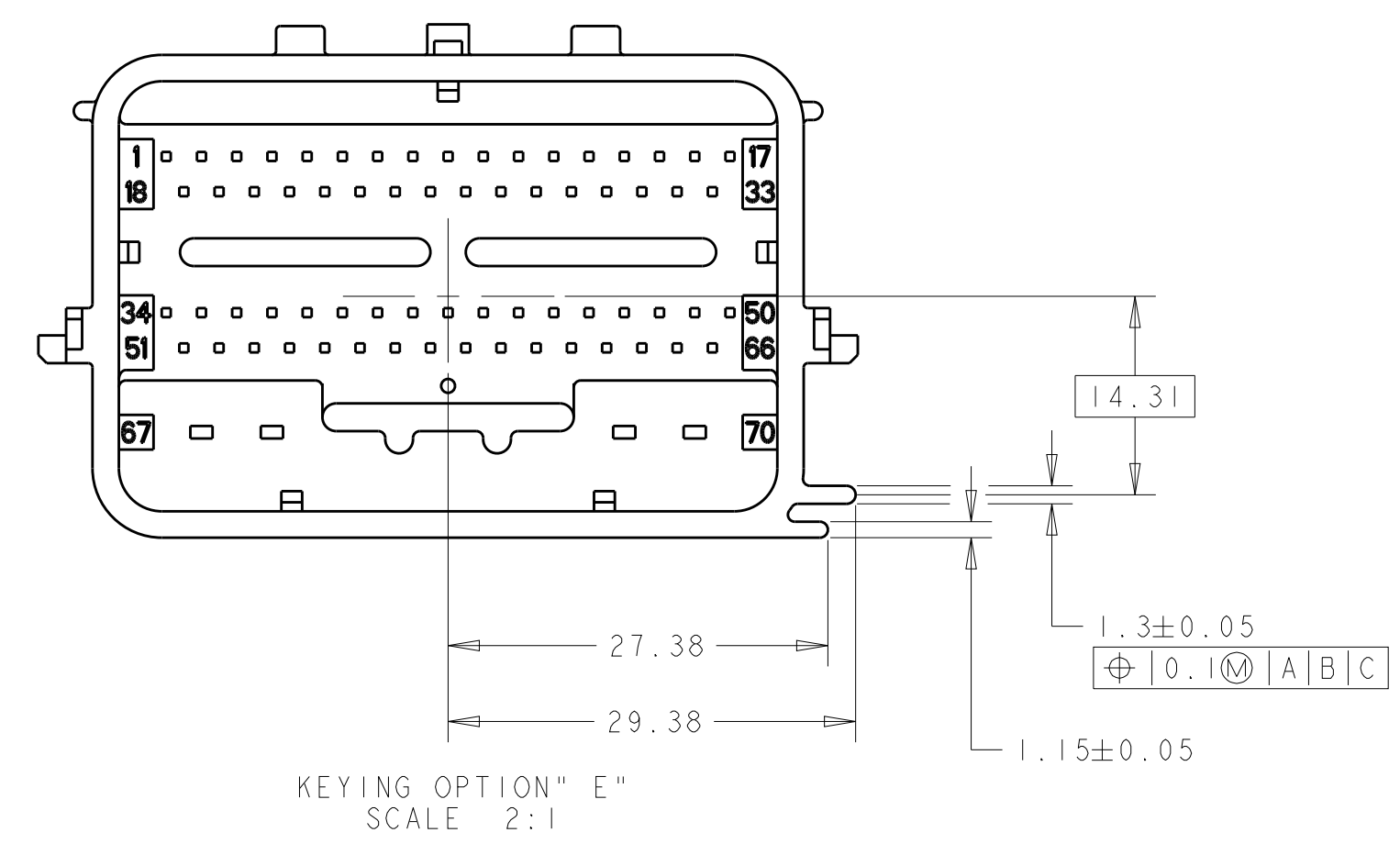
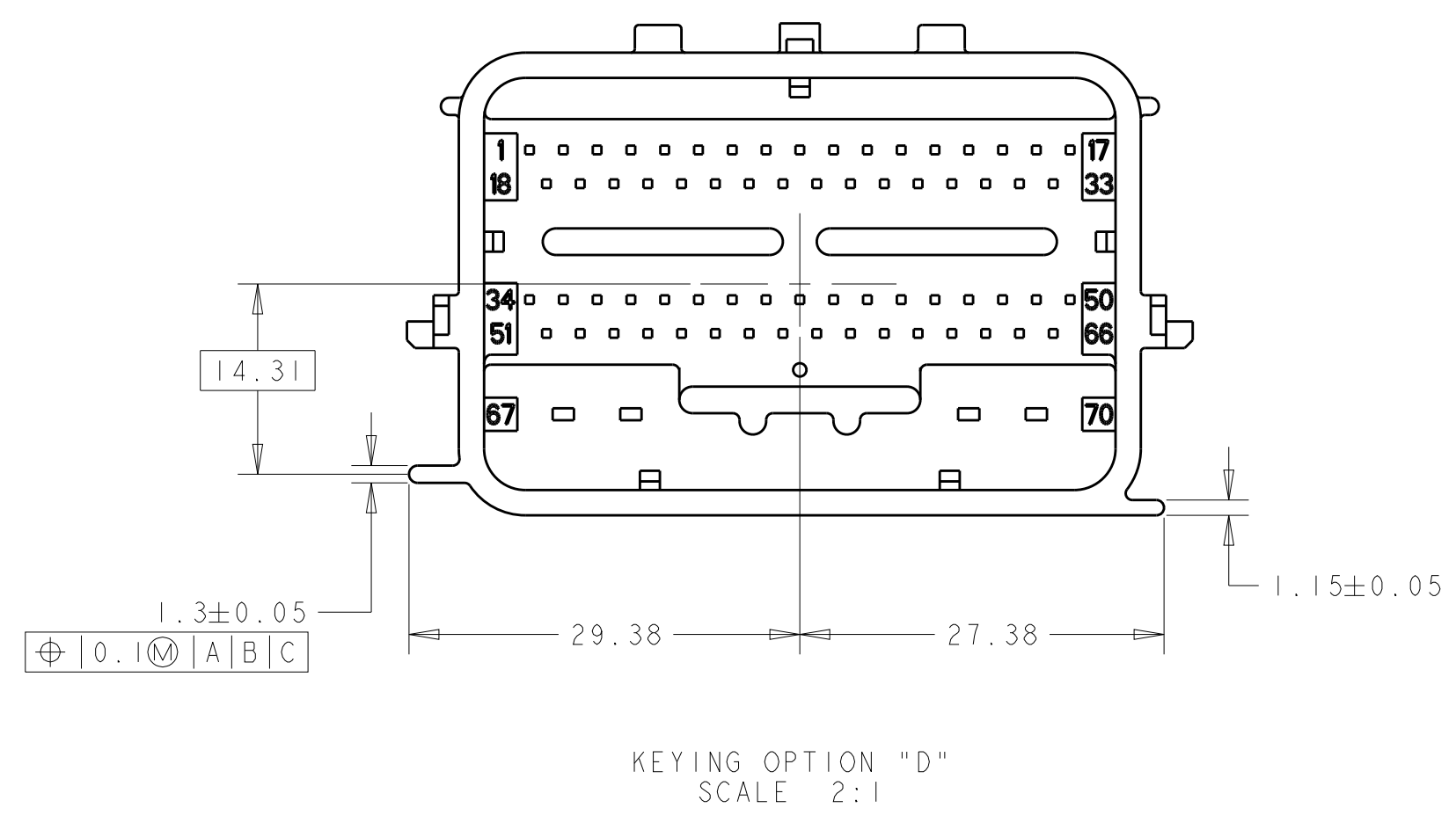
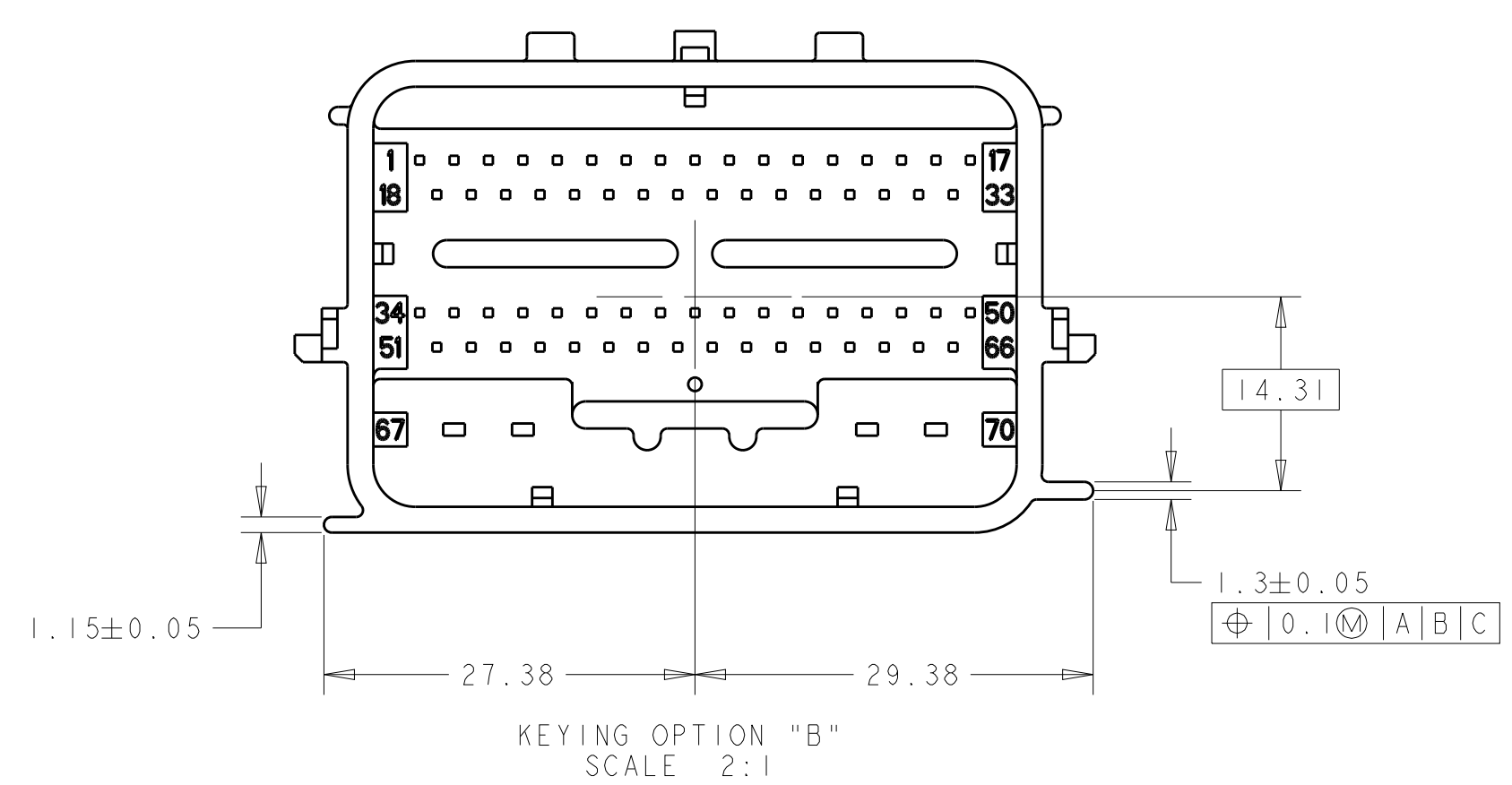
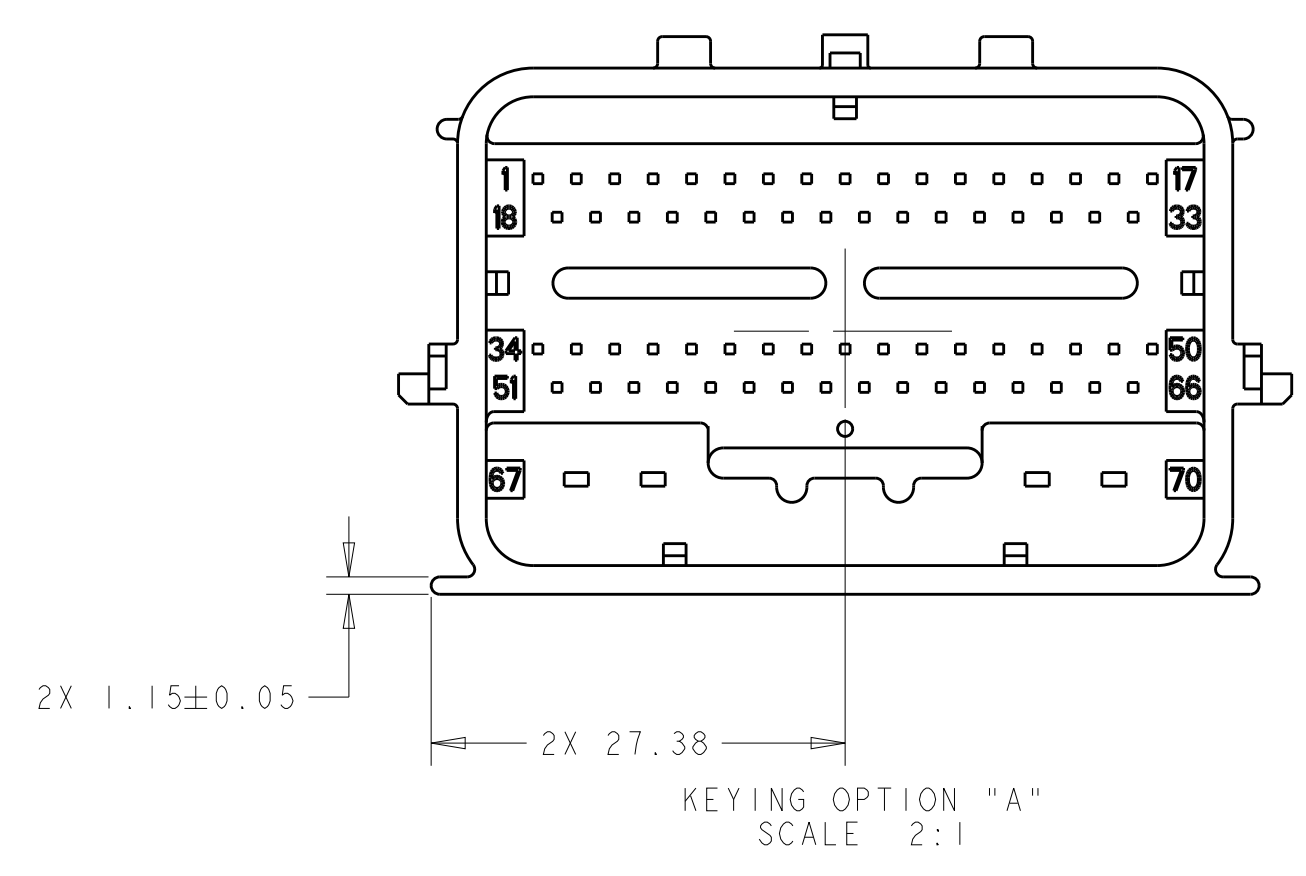


- NOTES: UNLESS OTHERWISE SPECIFIED
- GENERAL TOLERANCE:
 ±0.3 ALL ONE PLACE DIMENSIONS
 ±0.10 ALL TWO PLACE DIMENSIONS
 ±1°00' ALL ANGULAR DIMENSIONS
 - DRAFT ANGLE PERMISSIBLE ONLY WITHIN DRAWING TOLERANCE.
 - SEALING SURFACE, NO WITNESS LINES OF DAMAGE PERMITTED.
 - ALL UNMARKED RADIUS TO BE 0.5 MAX., UNLESS OTHERWISE SPECIFIED
 - VENT HOLE SIZE AND LOCATION IS OPTIONAL.
 - THIS AREA TO REMAIN CLEAR FOR THE HARNESS ASSEMBLY.
 - TERMINAL POSITION IDENTIFICATION.
 - MATES WITH TYCO ELECTRONICS PART# 1438136-*

THIS DRAWING IS A CONTROLLED DOCUMENT.		OWN: R. VESTAL 15APR2005	TE Connectivity										
DIMENSIONS: mm		CHK: T. VALASEK 15APR2005											
TOLERANCES UNLESS OTHERWISE SPECIFIED:		APVD: T. VALASEK 15APR2005	NAME: 70-WAY HARNESS ASSEMBLY										
<table border="1"> <tr><td>0 PLC</td><td>±</td></tr> <tr><td>1 PLC</td><td>±0.3</td></tr> <tr><td>2 PLC</td><td>±0.10</td></tr> <tr><td>3 PLC</td><td>±</td></tr> <tr><td>4 PLC</td><td>±</td></tr> </table>		0 PLC	±	1 PLC	±0.3	2 PLC	±0.10	3 PLC	±	4 PLC	±	PRODUCT SPEC	SIZE: CAGE CODE DRAWING NO
0 PLC	±												
1 PLC	±0.3												
2 PLC	±0.10												
3 PLC	±												
4 PLC	±												
MATERIAL		APPLICATION SPEC	RESTRICTED TO										
FINISH		WEIGHT	A100779C=1438136										
CUSTOMER DRAWING		SCALE 2:1	SHEET 10 OF 11 REV 648										

HEADER INTERFACE KEYING OPTIONS

REVISIONS				
P.	LTN.	DESCRIPTION	DATE	APPD.
-	-	SEE SHEET 1	-	-



THIS DRAWING IS A CONTROLLED DOCUMENT.		OWN: R. VESTAL 15APR2005	TE Connectivity
DIMENSIONS: mm		CHK: T. VALASEK 15APR2005	
TOLERANCES UNLESS OTHERWISE SPECIFIED:		APVD: T. VALASEK 15APR2005	NAME: 70-WAY HARNESS ASSEMBLY
0 PLC ± 1 PLC ±0.3 2 PLC ±0.10 3 PLC ± 4 PLC ± ANGLES ±1°		PRODUCT SPEC: -	SIZE: A
MATERIAL: -		APPLICATION SPEC: -	CAGE CODE: 1438136
FINISH: -		WEIGHT: -	RESTRICTED TO: -
CUSTOMER DRAWING		SCALE: 2:1	SHEET 11 OF 11 REV: 648

单击下面可查看定价，库存，交付和生命周期等信息

[>>TE Connectivity\(泰科\)](#)