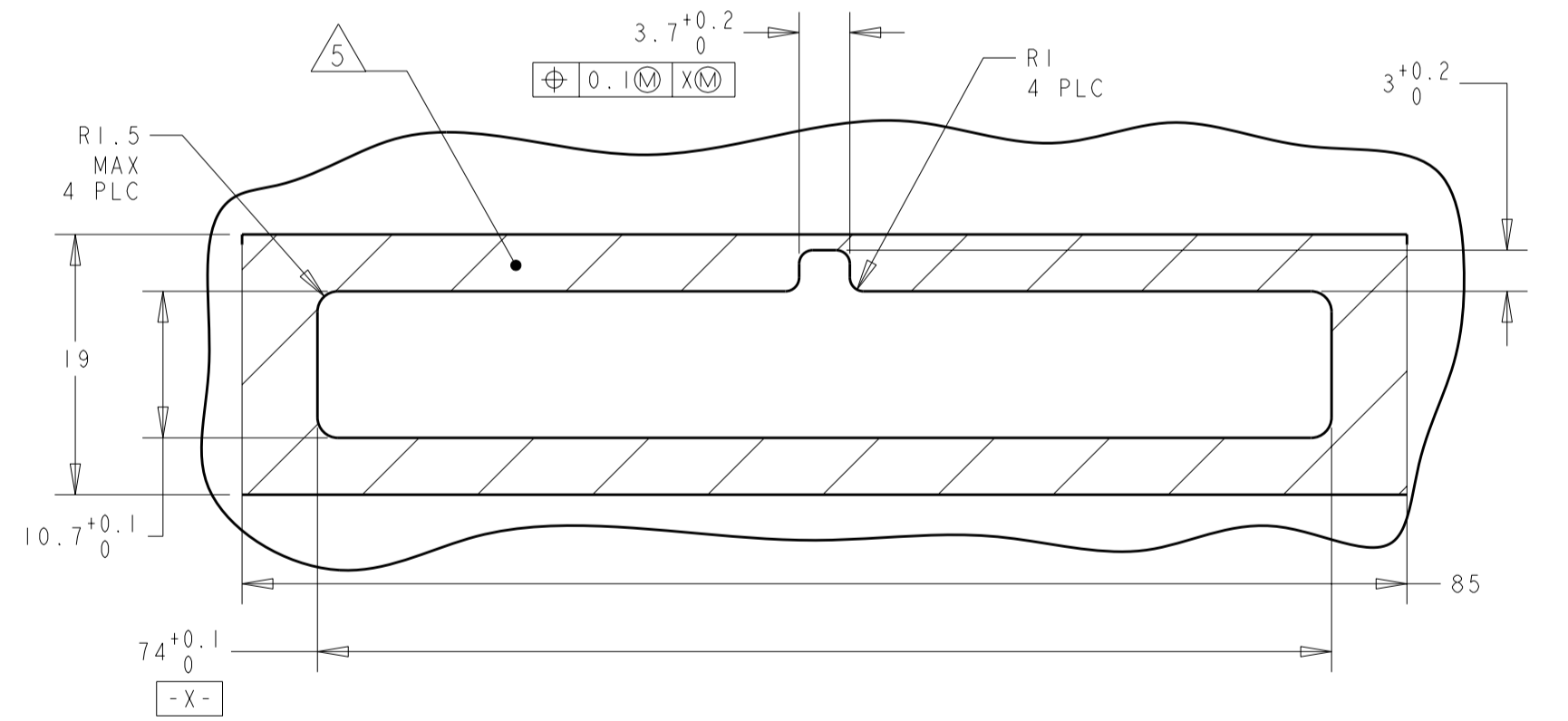
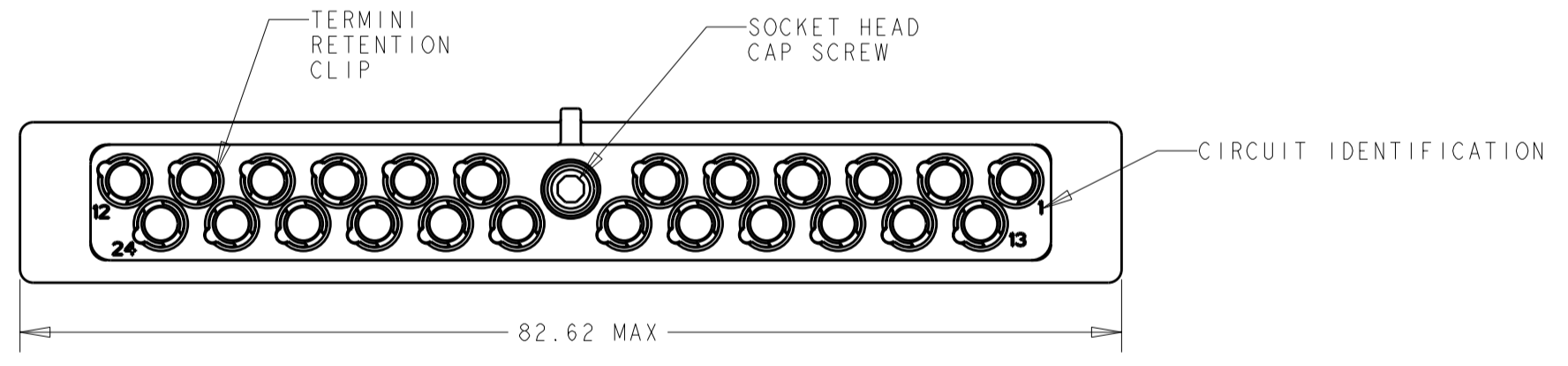
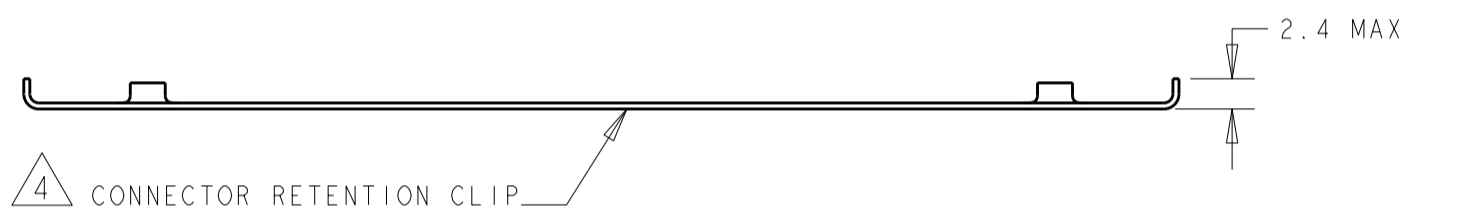
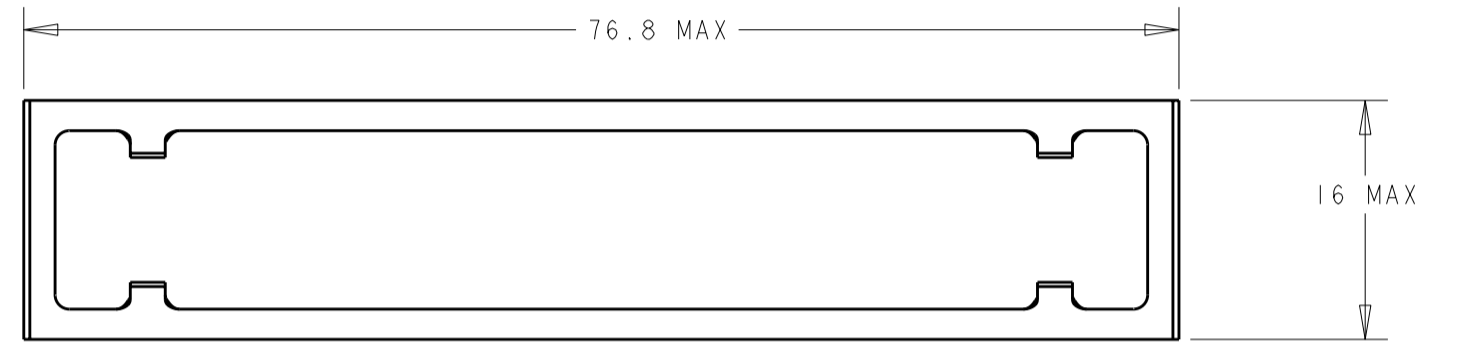
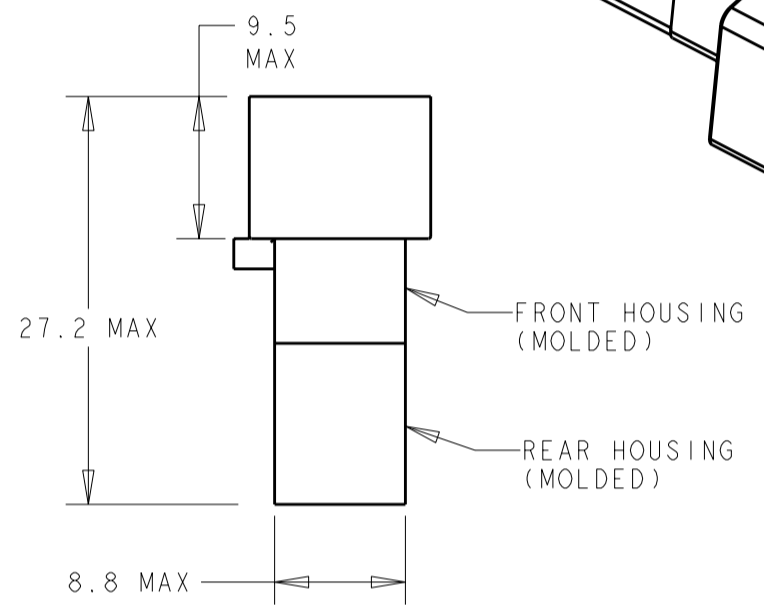
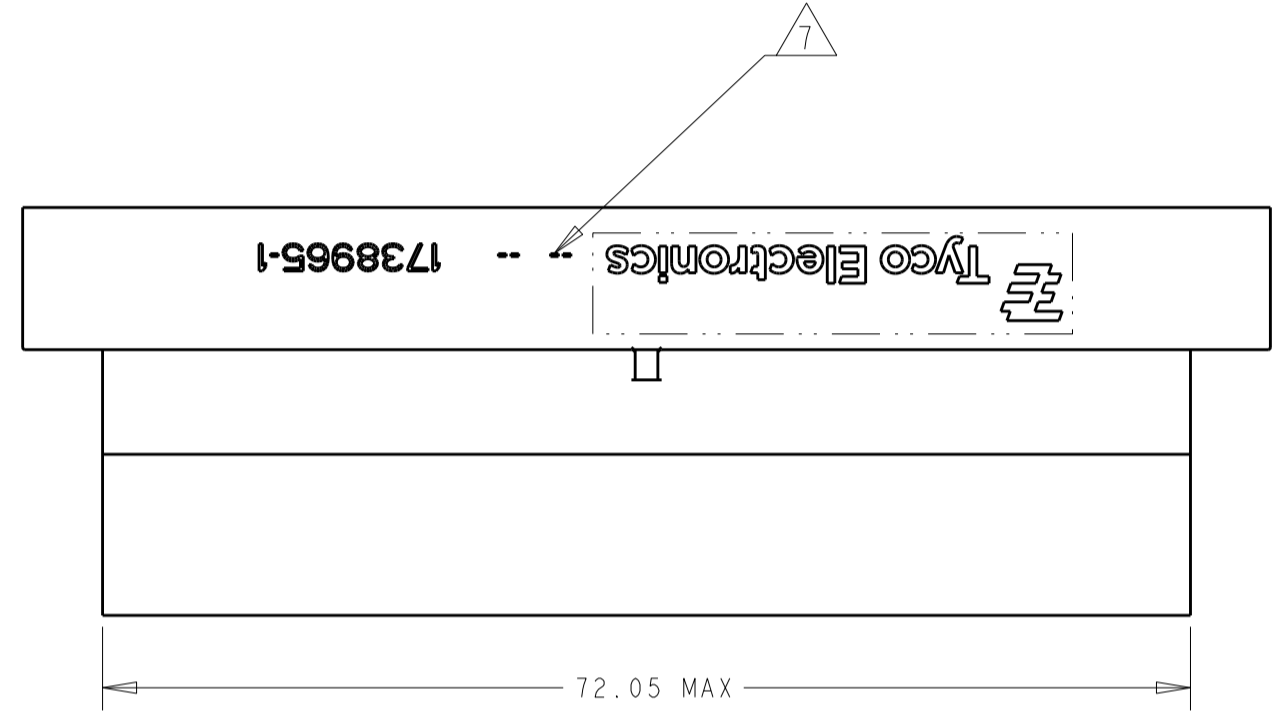
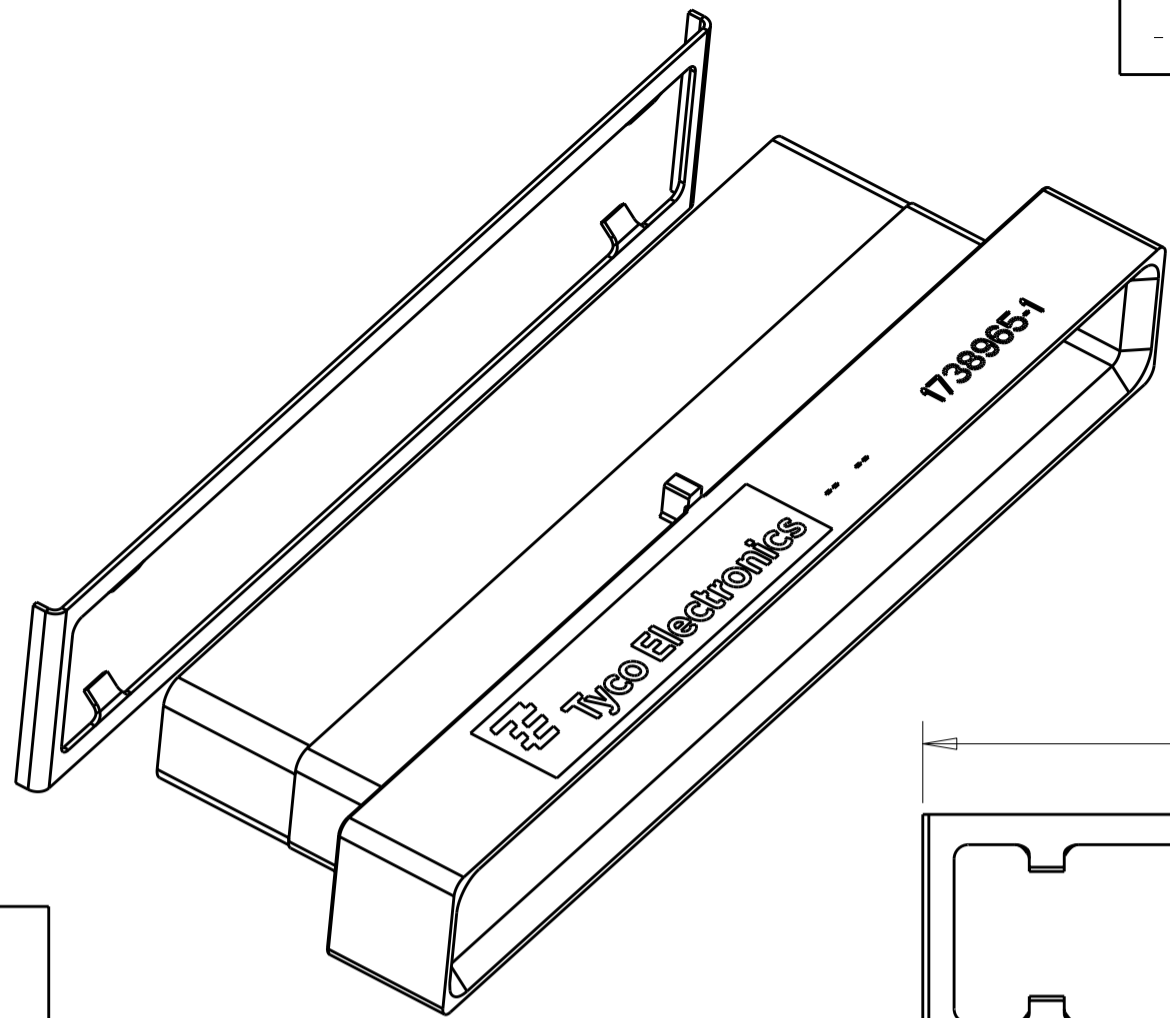
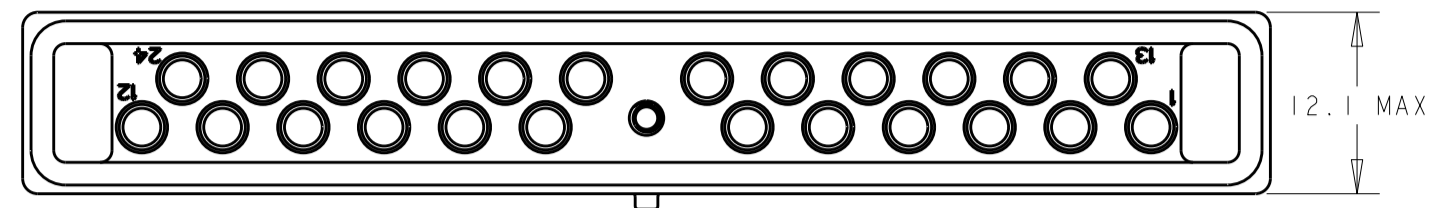


THIS DRAWING IS UNPUBLISHED. RELEASED FOR PUBLICATION 20  
 © COPYRIGHT 20 BY TYCO ELECTRONICS CORPORATION. ALL RIGHTS RESERVED.

LOC		DIST		REVISIONS			
P	LTR	DESCRIPTION	DATE	DWN	APVD		
	A	RELEASED PER ECO-09-013817	08.JUL.2009	RCF	JM		



RECOMMENDED PCB-HOLE LAY-OUT FOR BACKPLANE 3 6

- 1 FRONT & REAR HOUSING: GLASS-FILLED LCP THERMOPLASTIC, UL 94 V-0 RATED, COLOR: NATURAL (BEIGE).  
TERMINI RETENTION CLIP: STAINLESS STEEL PER AISI 301  
CONNECTOR RETENTION CLIP: STAINLESS STEEL PER AISI 301  
SOCKET HEAD CAP SCREW: STAINLESS STEEL
- 2 SOCKET HEAD CAP SCREW: PASSIVATED
- 3 MISALIGNMENT ALLOWED BETWEEN THE BACKPLANE CUTOUT & THE MATING MODULE CONNECTOR, TYCO PART NUMBER 1738960-2: 1mm MAX
- 4 CONNECTOR RETENTION CLIP IS SHIPPED UNASSEMBLED
- 5 MINIMUM CLEARANCE AREA ON BOTH SIDES OF THE BACKPLANE BOARD REQUIRED FOR CONNECTOR FLOAT
- 6 ACCOMMODATES PC BOARD THICKNESS RANGE: 2.03-4.19 mm
- 7 DATE CODE: YEAR & WEEK (YY WW)
- 8. RECOMMENDED TERMINI APPLICATION TOOLING:  
INSTALLING TOOL: DANIELS MFG. CORP. P/N DAK83-16  
REMOVAL TOOL: DANIELS MFG. CORP. P/N DRK83-16
- 9. LuxCis® IS A REGISTERED TRADEMARK OF RADIAL SA.

1738965-1  
PART NUMBER

THIS DRAWING IS A CONTROLLED DOCUMENT FOR TYCO ELECTRONICS CORPORATION IT IS SUBJECT TO CHANGE AND THE CONTROLLING ENGINEERING ORGANIZATION SHOULD BE CONTACTED FOR THE LATEST REVISION.		DWN BH 09MAY2004	Tyco Electronics Harrisburg, PA 17105-3608	
DIMENSIONS: mm		CHK JPM 09MAY2004	NAME CONNECTOR KIT, BACKPLANE, 24 POSITION, FOR LuxCis OPTICAL TERMINI	
TOLERANCES UNLESS OTHERWISE SPECIFIED: 0 PLC ±0.1 1 PLC ±0.1 2 PLC ±0.1 3 PLC ± 4 PLC ± ANGLES ± FINISH		APVD JPM 09MAY2004	SIZE A2	
MATERIAL		PRODUCT SPEC 108-2247	CAGE CODE 00779	DRAWING NO 1738965
1 -		APPLICATION SPEC 114-13192	RESTRICTED TO	
2 -		WEIGHT -	SCALE 2:1	SHEET 1 OF 1
		CUSTOMER DRAWING	REV A	

单击下面可查看定价，库存，交付和生命周期等信息

[>>TE Connectivity\(泰科\)](#)