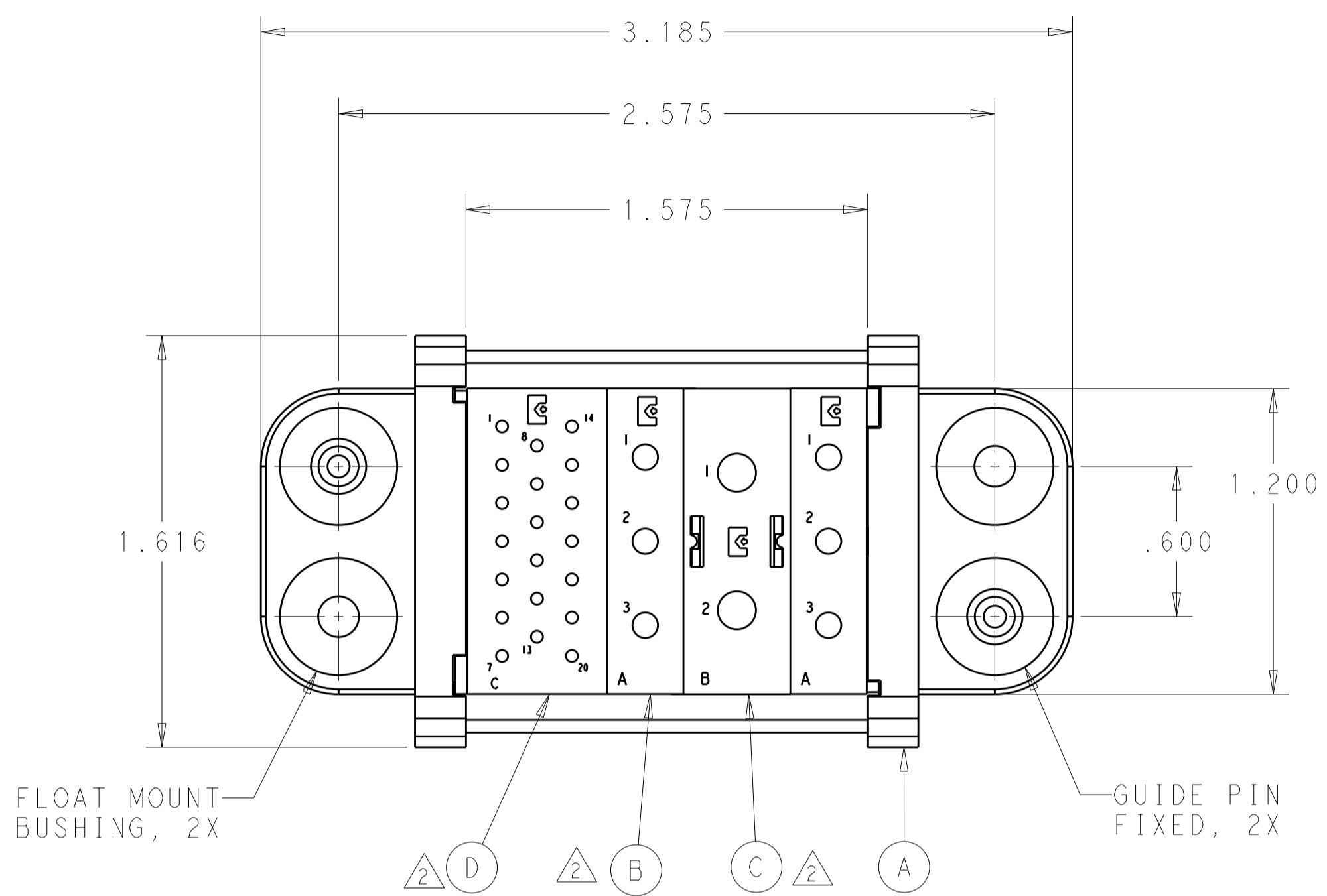


THIS DRAWING IS UNPUBLISHED. RELEASED FOR PUBLICATION 20
 © COPYRIGHT 20 TE ALL RIGHTS RESERVED.

LOC		DIST		REVISIONS			
P	LTR	DESCRIPTION	DATE	DWN	APVD		
GP	00	B	REV PER ECO-11-020271	07OCT2011	RG	DO	



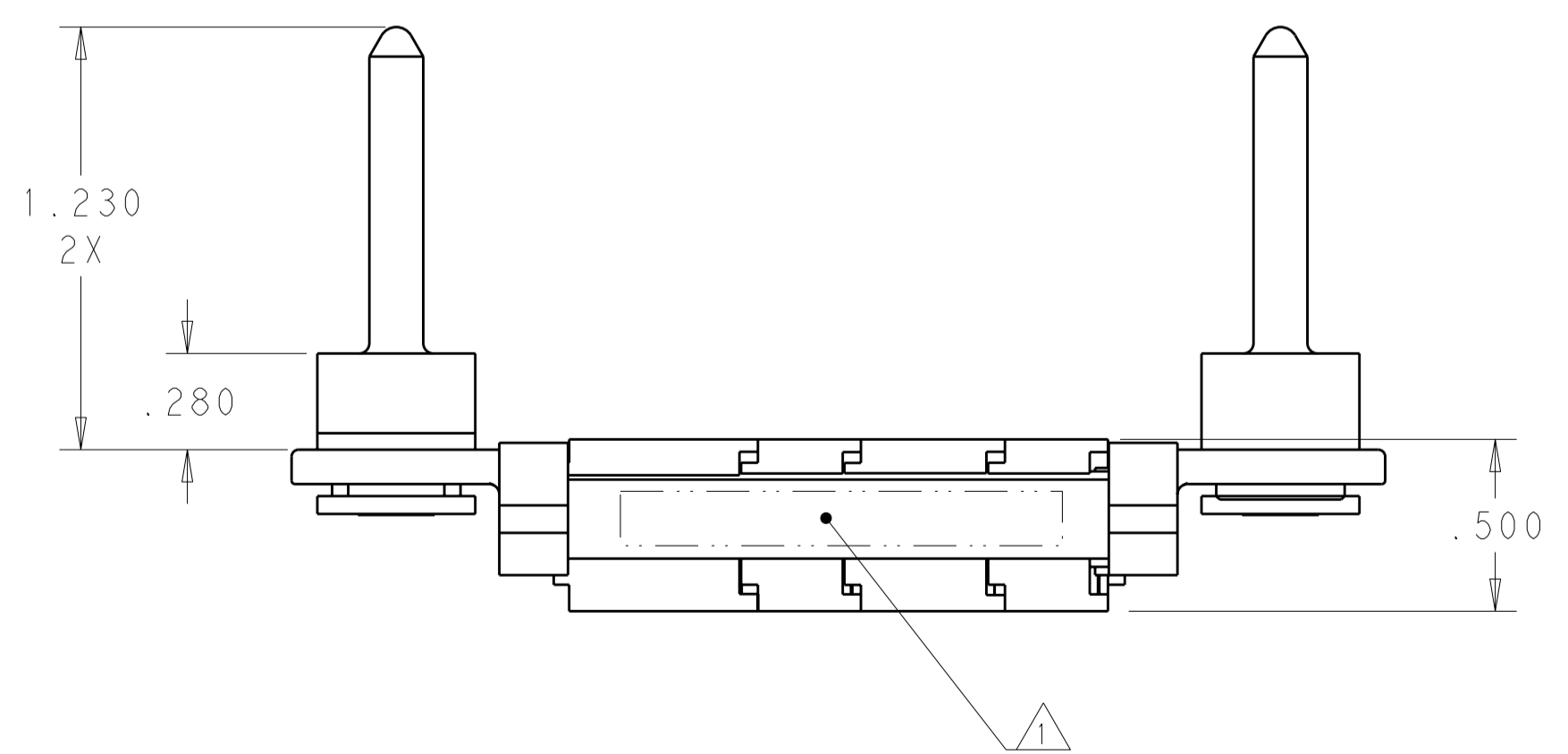
1 ITEMS PROVIDED TO THIS SPECIFICATION TO BE PERMANENTLY IDENTIFIED PER THE FOLLOWING IDENTIFIER:

TE PART NUMBER AND MANUFACTURING DATE CODE

2 MODULES ARE FOR CRIMP STYLE REMOVABLE CONTACTS (ITEMS E, F AND G). THEY ARE PACKAGED SEPARATELY WITH AN INSERTION/ REMOVAL TOOL AND WILL BE SHIPPED LOOSE WITH THE ASSEMBLY.

3 MOUNTING FLANGE BUSHING ACCEPTS 6/32 SCREW (Ø.156 CLEARANCE HOLE, FLOAT MOUNT) OR 8/32 SCREW (Ø.173 CLEARANCE HOLE, FIXED MOUNT) USER SUPPLIED.

4. CONNECTOR MATES WITH P/N 2085849-1



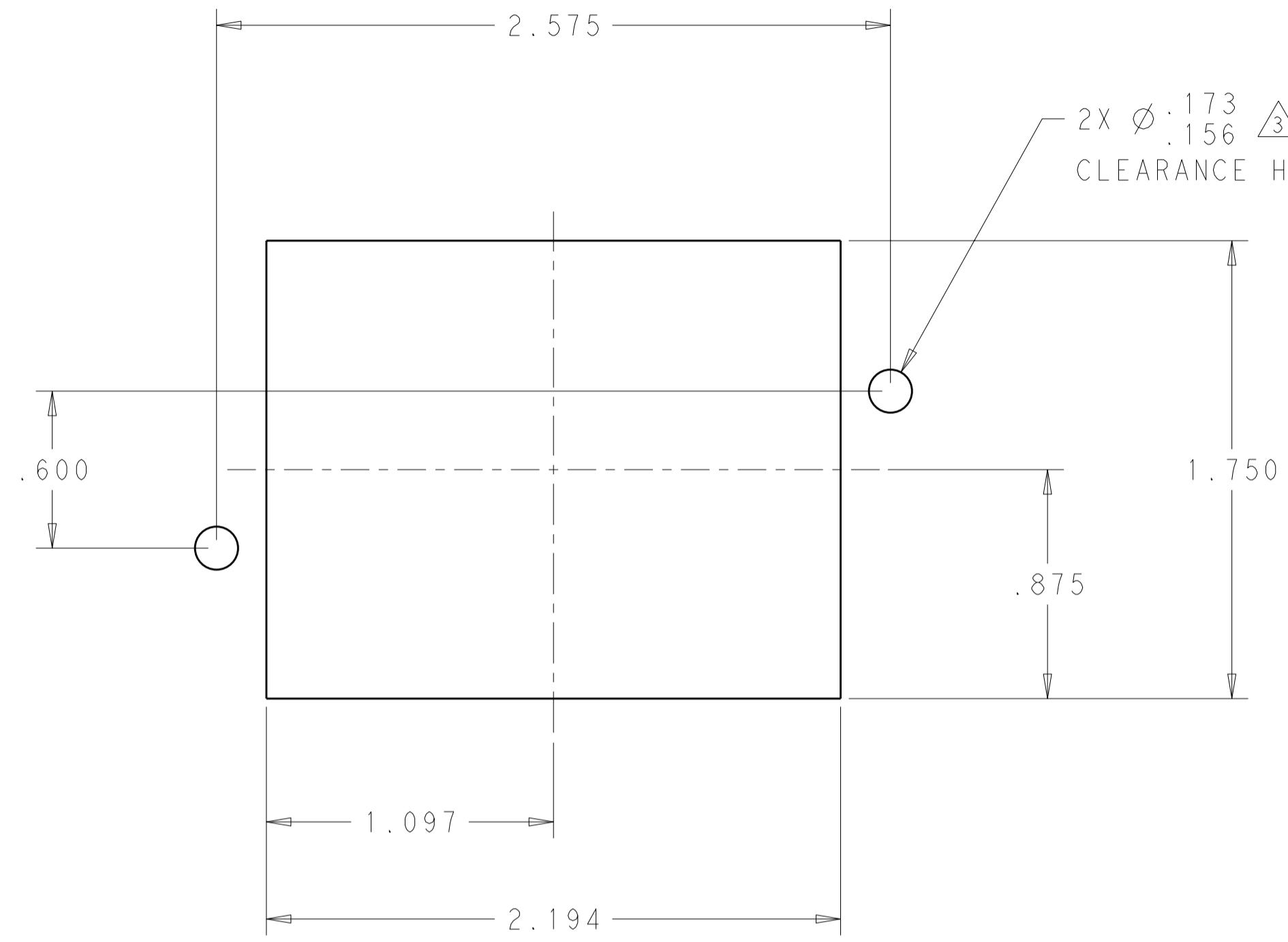
20	1650155-1	PIN CONTACT, SIZE No. 20, CRIMP	G
6	1766193-1	PIN CONTACT, SIZE No. 12, CRIMP	F
2	1766192-1	PIN CONTACT, SIZE No. 8, CRIMP	E
1	1648463-1	MODULE "C"	D
1	1648462-1	MODULE "B"	C
2	1648461-1	MODULE "A"	B
2	6648251-1	END CAP, GUIDE PIN, FLOAT	A
-1	PART NO.	DESCRIPTION	ITEM

THIS DRAWING IS A CONTROLLED DOCUMENT.		DWN R. GRZYBOWSKI 12AUG2011	TE Connectivity	
DIMENSIONS: INCHES		CHK D. ORRIS 12AUG2011		
TOLERANCES UNLESS OTHERWISE SPECIFIED:		APVD D. ORRIS 12AUG2011	NAME PIN CONNECTOR ASSEMBLY CRIMP CONTACTS W/ PANEL CUT-OUT, DOMINO	
0 PLC ± 1 PLC ± 2 PLC ±.02 3 PLC ±.010 4 PLC ± ANGLES ± FINISH ±		PRODUCT SPEC -	SIZE A200779C-2085848	
MATERIAL -		APPLICATION SPEC -	RESTRICTED TO -	
-		WEIGHT -	SCALE 2:1 SHEET 1 OF 2 REV B	
-		CUSTOMER DRAWING		

ELCON DOMINO


THIS DRAWING IS UNPUBLISHED. RELEASED FOR PUBLICATION 20
 © COPYRIGHT 20 TE ALL RIGHTS RESERVED.

LOC	DIST	REVISIONS			
P	LTR	DESCRIPTION	DATE	DWN	APVD
GP	00	-	SEE SHEET 1	-	-



PIN CONNECTOR PANEL CUT-OUT

ELCON DOMINO

THIS DRAWING IS A CONTROLLED DOCUMENT.		DWN R. GRZYBOWSKI 12AUG2011	 TE Connectivity	
DIMENSIONS: INCHES		CHK D. ORRIS 12AUG2011		
TOLERANCES UNLESS OTHERWISE SPECIFIED:		APVD D. ORRIS 12AUG2011	NAME PIN CONNECTOR ASSEMBLY CRIMP CONTACTS W/ PANEL CUT-OUT, DOMINO	
0 PLC ± 1 PLC ± 2 PLC ±.02 3 PLC ±.010 4 PLC ± ANGLES ± FINISH ±		PRODUCT SPEC -	RESTRICTED TO -	
MATERIAL -		APPLICATION SPEC -	SIZE A2	CAGE CODE 00779
		WEIGHT -	DRAWING NO C-2085848	
		CUSTOMER DRAWING	SCALE 2:1	SHEET 2 OF 2
			REV B	

单击下面可查看定价，库存，交付和生命周期等信息

[>>TE Connectivity\(泰科\)](#)