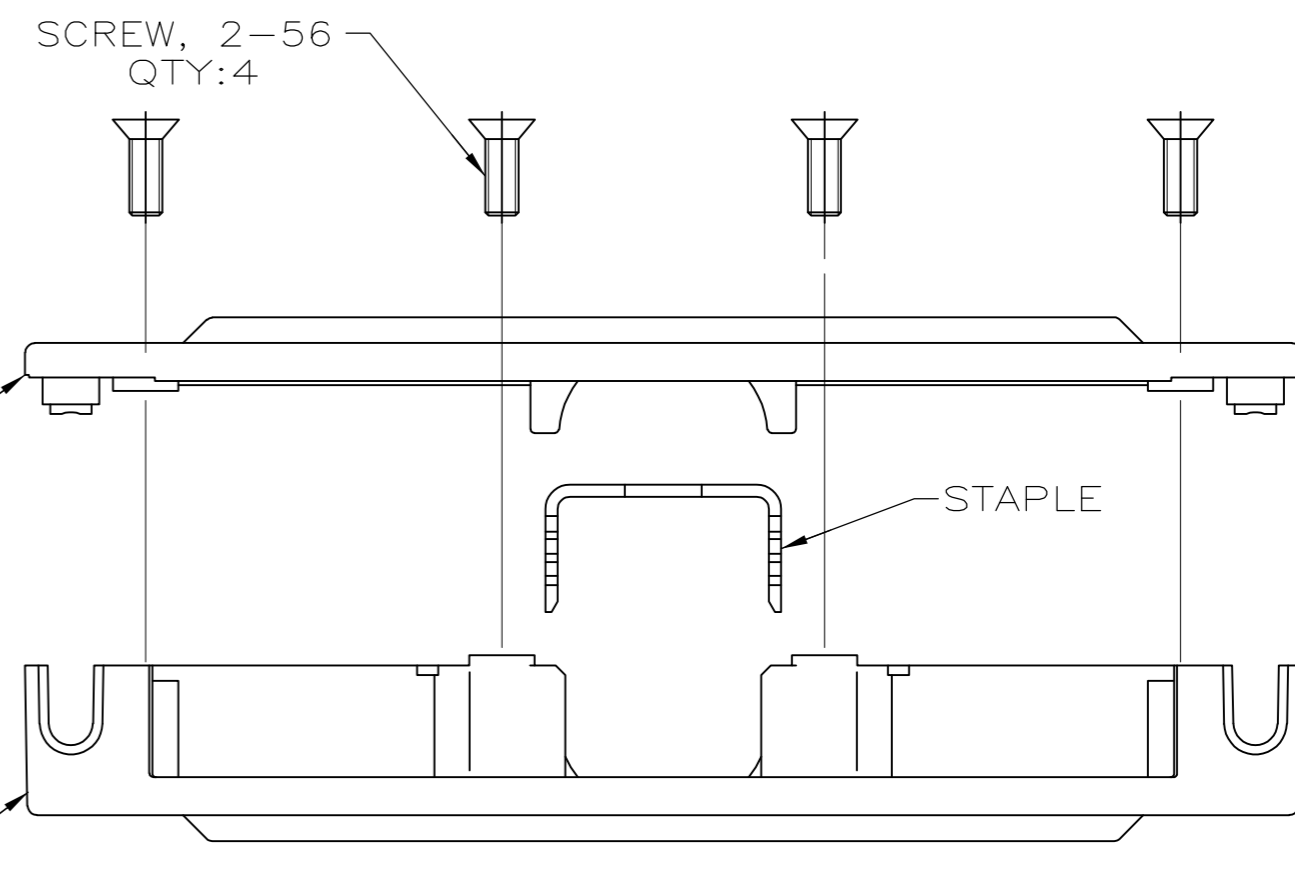
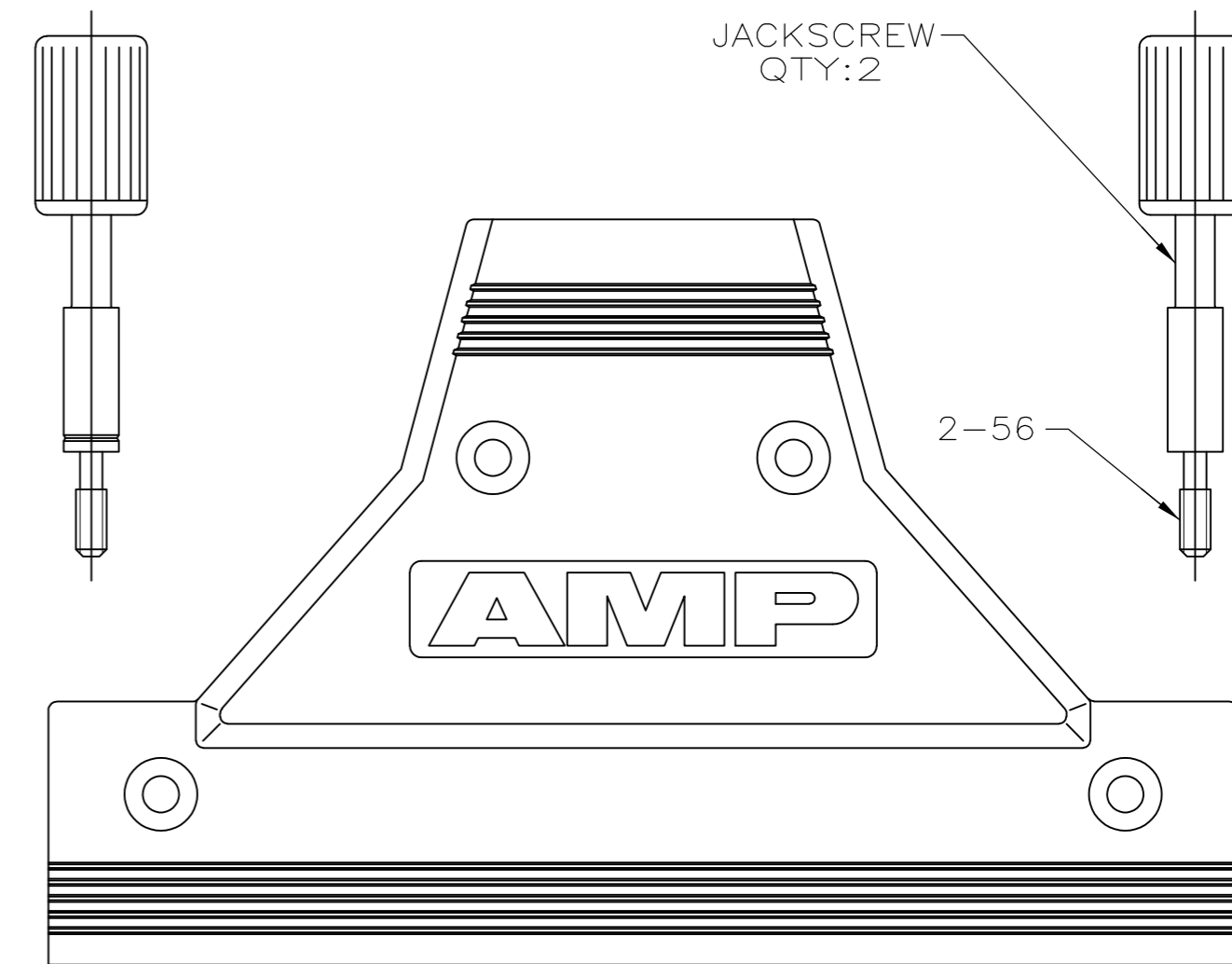
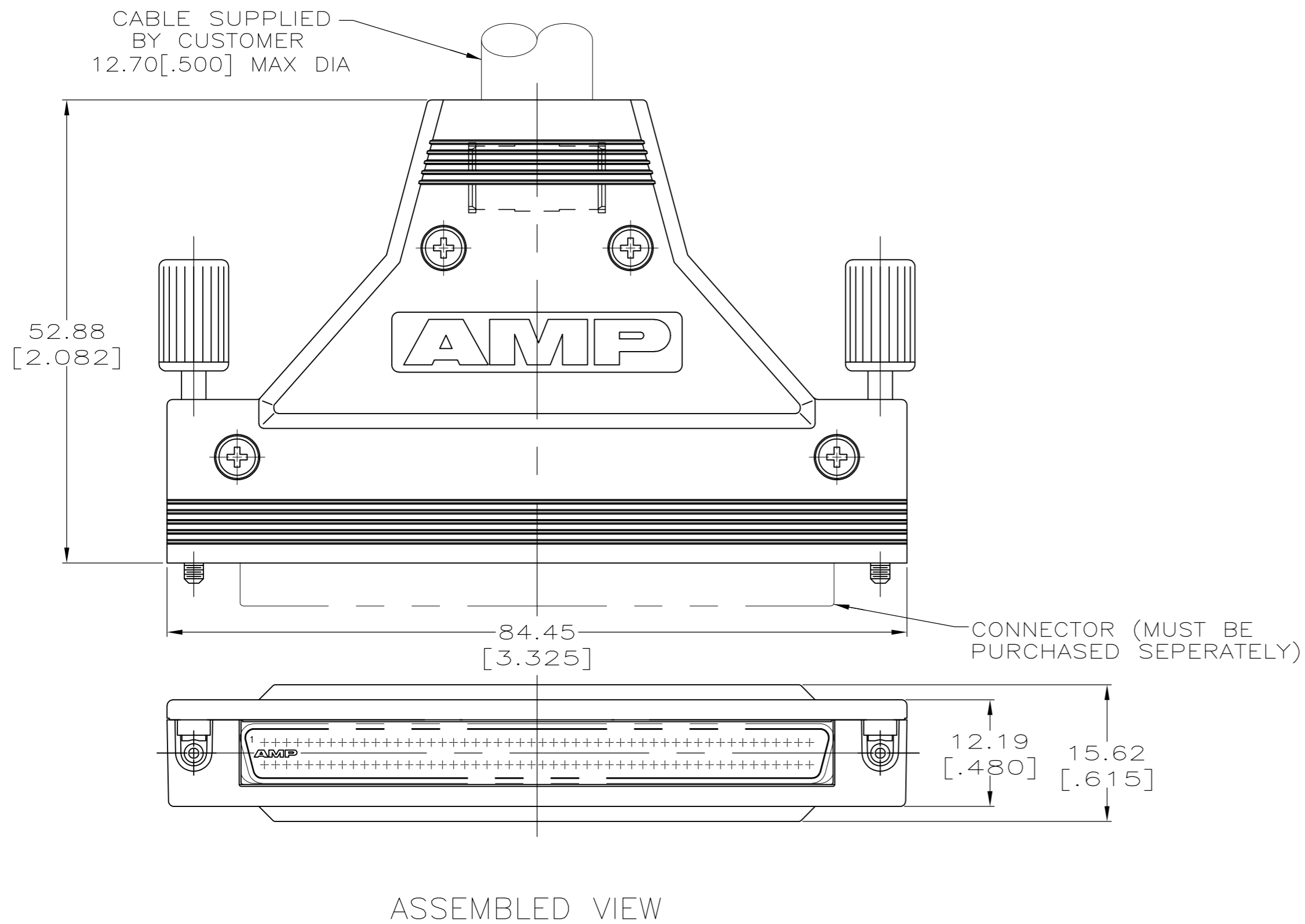


THIS DRAWING IS UNPUBLISHED. RELEASED FOR PUBLICATION
 © COPYRIGHT - By - ALL RIGHTS RESERVED.

LOC		DIST		REVISIONS			
P	LTR	DESCRIPTION	DATE	DWN	APVD		
GP	00	S	REVISED PER ECO-14-010092	08JUL2014	CJV	SLB	



- ① BACKSHELLS: ZINC.
 STAPLE: STEEL.
 JACKSCREW HEAD: POLYPROPYLENE OR NYLON, UL94V-0 RATED, BLACK.
 JACKSCREW BODY: STEEL.
 SCREWS: STAINLESS STEEL.
- ② BACKSHELLS: NICKEL OVER COPPER.
 STAPLE: BRIGHT TIN OVER NICKEL.
 JACKSCREW BODY: BLACK ZINC.

5749854-1
 PART NO

THIS DRAWING IS A CONTROLLED DOCUMENT.		DWN	G.PETERS	24AUG05		TE Connectivity			
DIMENSIONS: mm[INCHES]		CHK	S.SHUEY	24AUG05		NAME			
TOLERANCES UNLESS OTHERWISE SPECIFIED:		APVD	M.WALMSLEY	24AUG05		BACKSHELL KIT, 100 POS, AMPLIMITE .050 SERIES			
0 PLC ± - 1 PLC ± - 2 PLC ± 0.38[.015] 3 PLC ± - 4 PLC ± - ANGLES ± -		APPLICATION SPEC		SIZE		CAGE CODE	DRAWING NO	RESTRICTED TO	
MATERIAL		FINISH		WEIGHT	A2 00779		C=5749854		
①		②		CUSTOMER DRAWING		SCALE	2:1	SHEET 1 of 1	REV S

单击下面可查看定价，库存，交付和生命周期等信息

[>>TE Connectivity\(泰科\)](#)