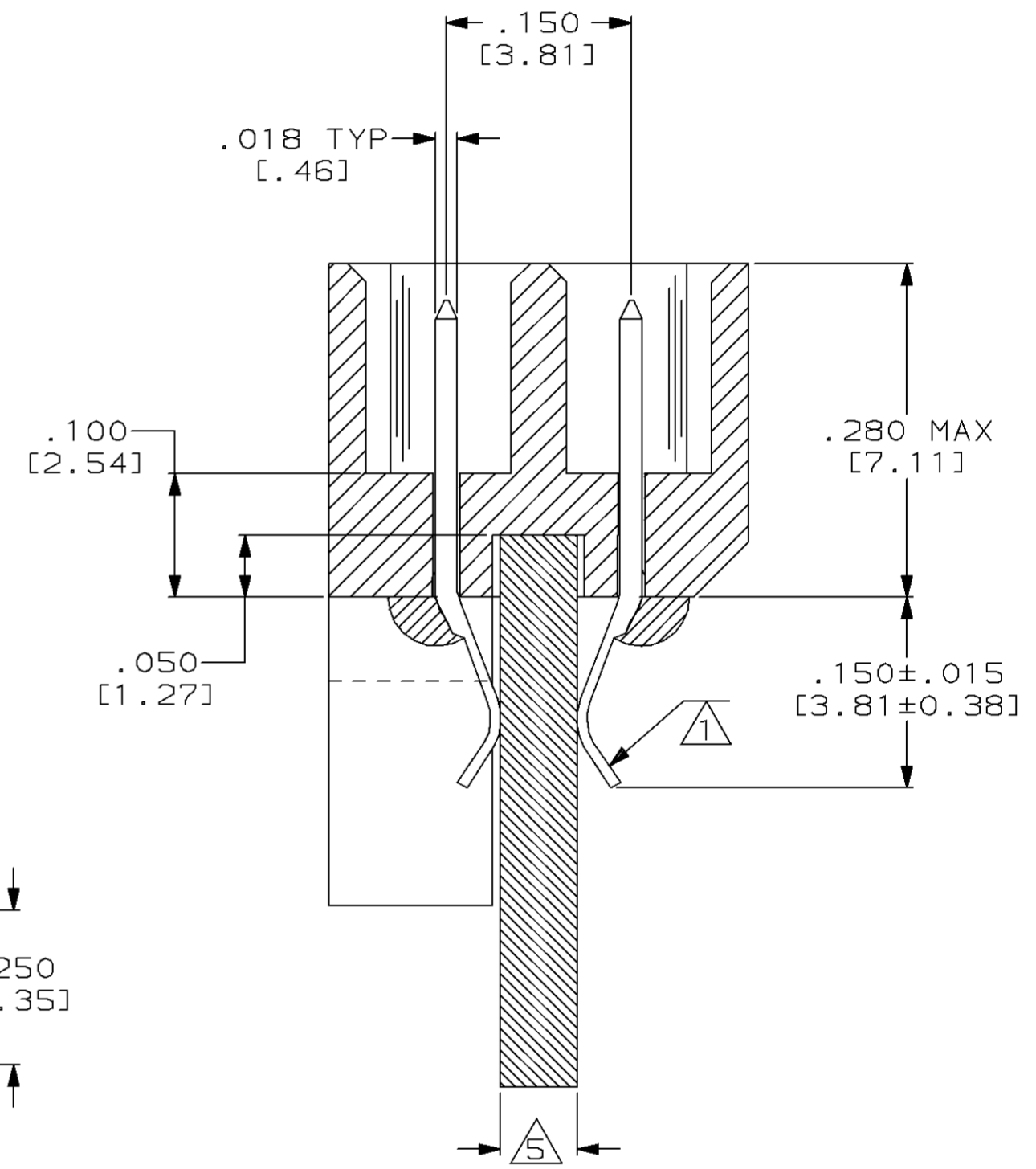
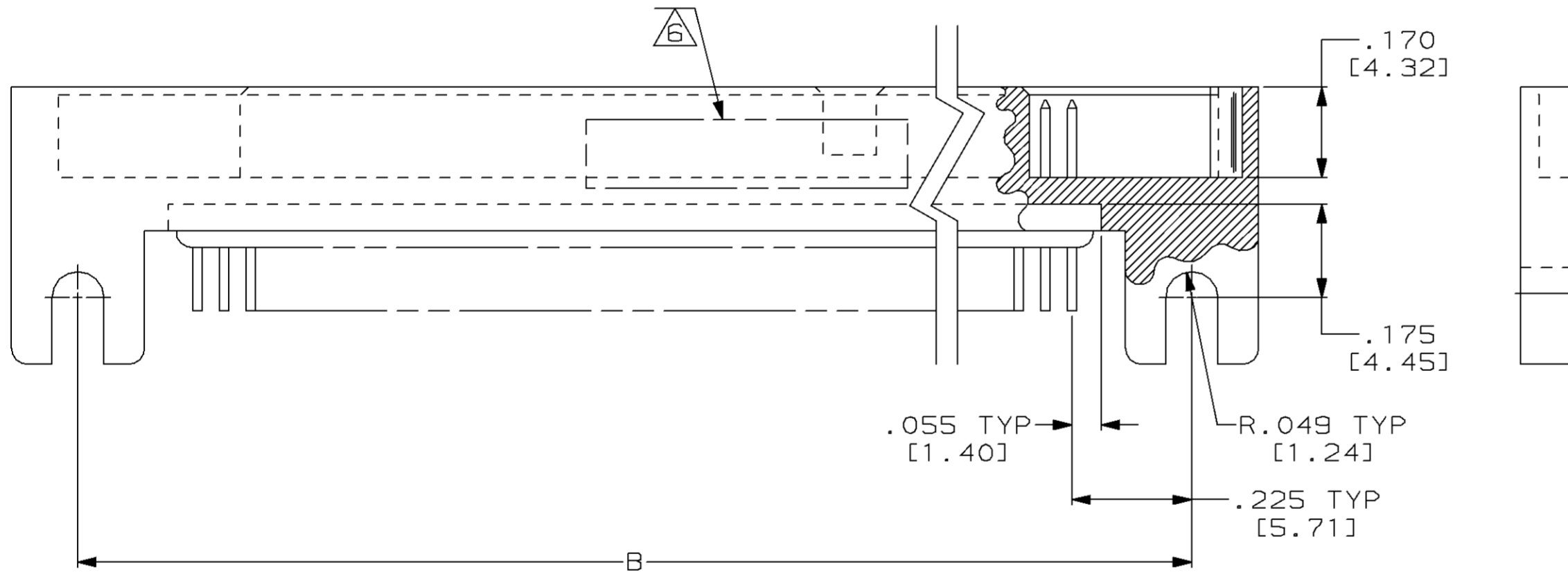
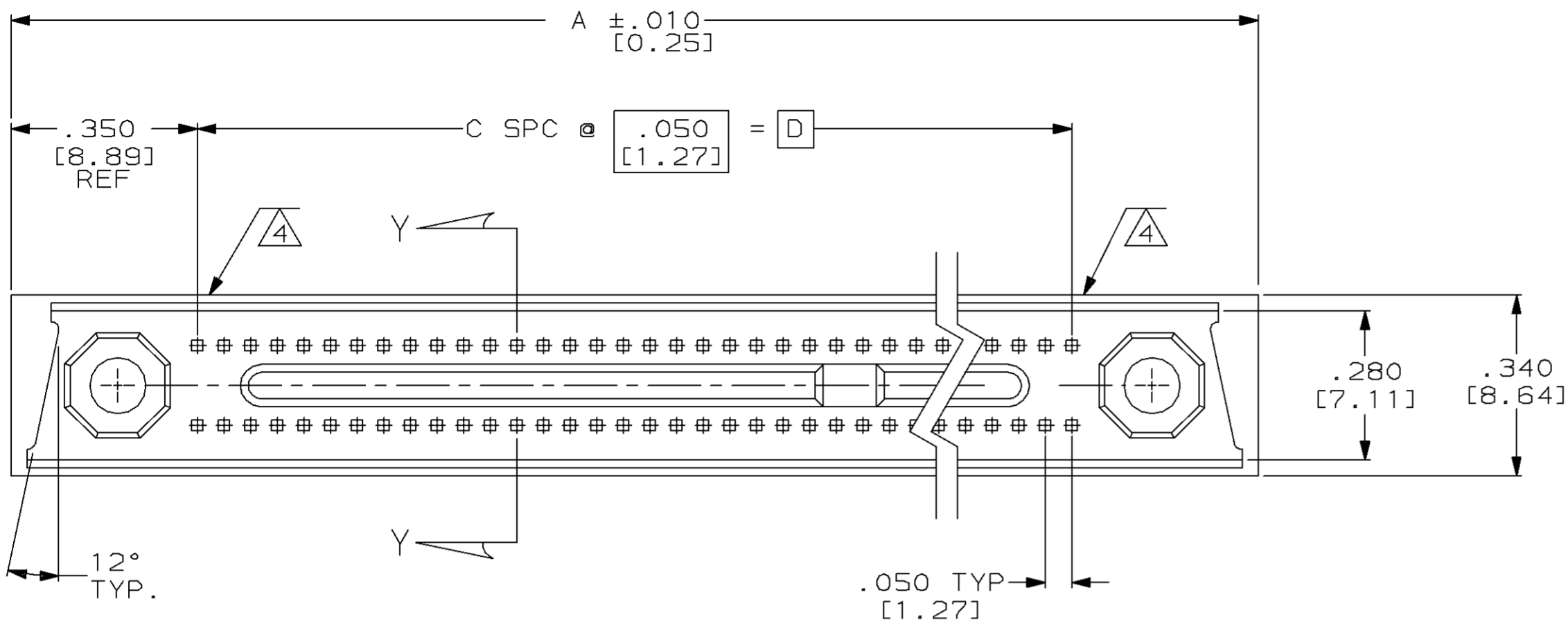


LOC		DIST		P		F		ZONE		LTR		REVISIONS		DATE	APPD
DF	FO									B		RDRN & REV PER 0600-0980-93 TA	11-10-93	DG	



SECTION Y-Y  
 SCALE 8:1  
 (ROT. 90° CW)

DO NOT SCALE PRINT.  
 UNLESS SPECIFIED  
 DIMENSIONS IN mm [INCHES]  
 TOLERANCES ON :

2 PLC DEC ±	-
3 PLC DEC ±	.005 [0.13]
ANGLES ±	-

MATERIAL  
 SEE TABLE

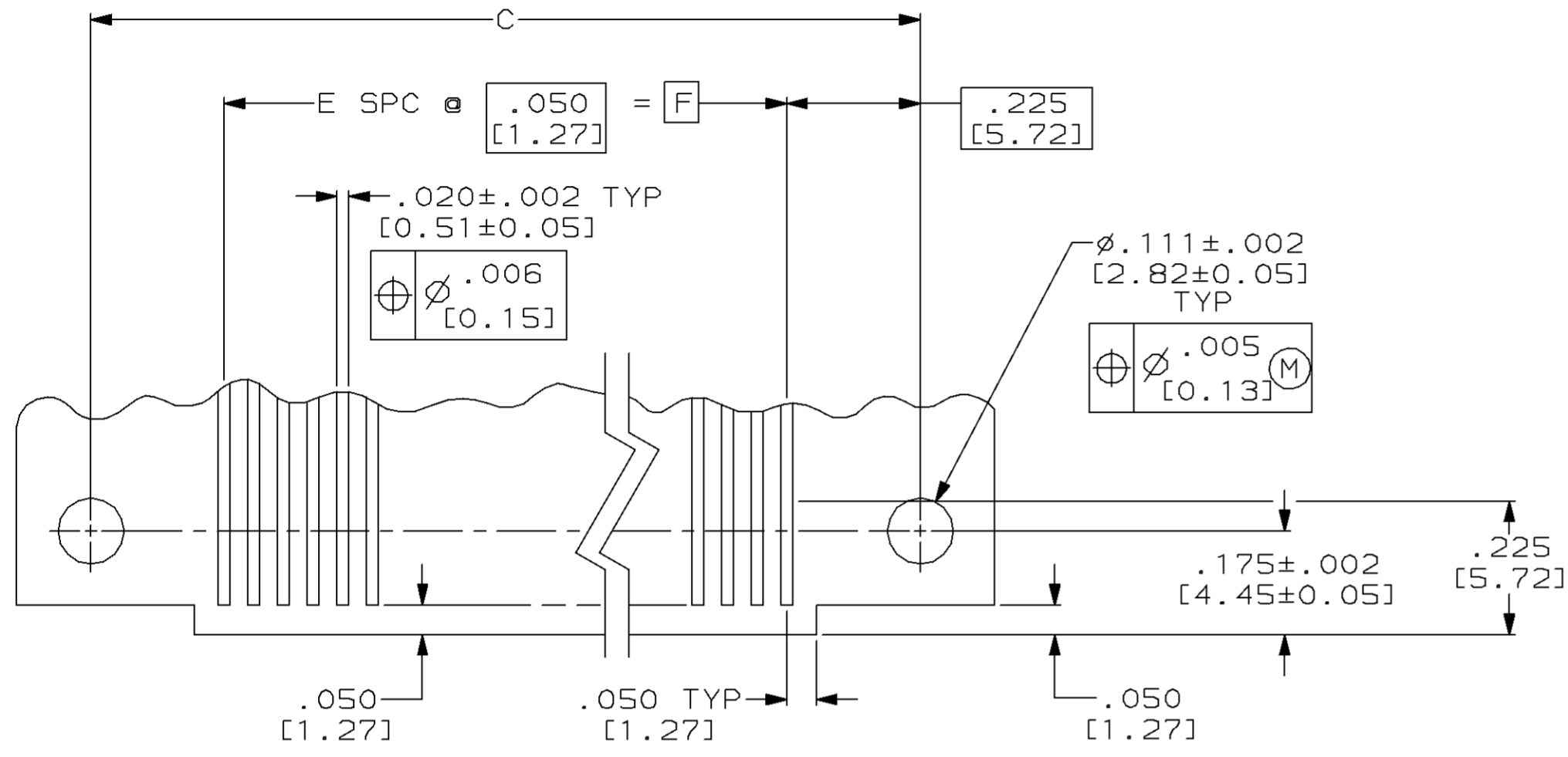
FINISH  
 1 2

DR 11-8-93 T. ALEXANDER
CHK 11-10-93 D. GUTTER
APPD 11-10-93 D. GUTTER
APPD 11-10-93 T. ALEXANDER
PRODUCT SPEC -
APPLICATION SPEC -
WEIGHT -

AMP Incorporated Harrisburg, PA 17105-3608		
NAME PIN HEADER ASSEMBLY, MINI-BOX, CARD EXTENDER WITH PIN PROTECTORS		
SIZE C	CAGE CODE 00779	DRAWING NO C=531122
SCALE 4:1	SHEET 1 OF 2	

THIS DRAWING IS A CONTROLLED DOCUMENT FOR AMP INCORPORATED. IT IS SUBJECT TO CHANGE AND THE CONTROLLING ENGINEERING ORGANIZATION SHOULD BE CONTACTED FOR THE LATEST REVISION.

LOC	DIST	P	F	ZONE	LTR	DESCRIPTION	DATE	APPD
DF	FO				B	SEE SHEET 1	-	-



RECOMMENDED P.C. BOARD LAYOUT

- 1. TABS TIN-LEAD PLATED FOR SOLDERABILITY, THIS AREA, OVER NICKEL.
- 2. .000030 GOLD ON CONTACT MATING AREA, OVER NICKEL. CONTACT MATERIAL: BRASS
- 3. HOUSING MATERIAL: LIQUID CRYSTAL POLYMER PER MIL-M-24519, GLCP-30, COLOR GRAY.
- 4. END CAVITY IDENTIFICATION NUMBERS MARKED PER TABLE.
- 5. ACCEPTS .054 TO .070 P.C. BOARD. [1.37] [1.78]
- 6. AMP, DATE CODE AND AMP PART NUMBER MARKED THIS APPROXIMATE AREA, FAR SIDE.

OBSOLETE	1 & 30	1.450 [36.83]	29	1.900 [48.26]	2.150 [54.61]	60	1-531122-2
	1 & 64	3.150 [80.01]	63	3.600 [91.44]	3.850 [97.79]	128	1-531122-1
OBSOLETE	1 & 55	2.700 [68.58]	54	3.150 [80.01]	3.400 [86.36]	110	1-531122-0
OBSOLETE	1 & 50	2.450 [62.23]	49	2.900 [73.66]	3.150 [80.01]	100	531122-9
OBSOLETE	1 & 45	2.200 [55.88]	44	2.650 [67.31]	2.900 [73.66]	90	531122-8
OBSOLETE	1 & 40	1.950 [49.53]	39	2.400 [60.96]	2.650 [67.31]	80	531122-7
	1 & 35	1.700 [43.18]	34	2.150 [54.61]	2.400 [60.96]	70	531122-6
	1 & 30	1.450 [36.83]	29	1.900 [48.26]	2.150 [54.61]	60	531122-5
OBSOLETE	1 & 25	1.200 [30.48]	24	1.650 [41.91]	1.900 [48.26]	50	531122-4
OBSOLETE	1 & 20	.950 [24.13]	19	1.400 [35.56]	1.650 [41.91]	40	531122-3
OBSOLETE	1 & 15	.700 [17.78]	14	1.150 [29.21]	1.400 [35.56]	30	531122-2
OBSOLETE	1 & 10	.450 [11.43]	9	.900 [22.86]	1.150 [29.21]	20	531122-1

CAVITY IDENTIFICATION	D	C	B	A	NO OF POSN	PART NUMBER
DO NOT SCALE PRINT. UNLESS SPECIFIED DIMENSIONS IN mm [INCHES] TOLERANCES ON :		DR 11-8-93 T. ALEXANDER		AMP Incorporated Harrisburg, PA 17105-3608		
2 PLC DEC ± -		CHK 11-10-93 D. GUTTER				
3 PLC DEC ± .005 [0.13]		APPD 11-10-93 D. GUTTER		NAME		
ANGLES ± -		APPD 11-10-93 T. ALEXANDER		PIN HEADER ASSEMBLY, MINI-BOX, CARD EXTENDER WITH PIN PROTECTORS		
MATERIAL		PRODUCT SPEC		SIZE		
-		-		CAGE CODE		DRAWING NO
FINISH		APPLICATION SPEC		00779		C=531122
-		-		SCALE		SHEET
		WEIGHT		4:1		20F2
		-				

THIS DRAWING IS A CONTROLLED DOCUMENT FOR AMP INCORPORATED. IT IS SUBJECT TO CHANGE AND THE CONTROLLING ENGINEERING ORGANIZATION SHOULD BE CONTACTED FOR THE LATEST REVISION.

单击下面可查看定价，库存，交付和生命周期等信息

[>>TE Connectivity\(泰科\)](#)