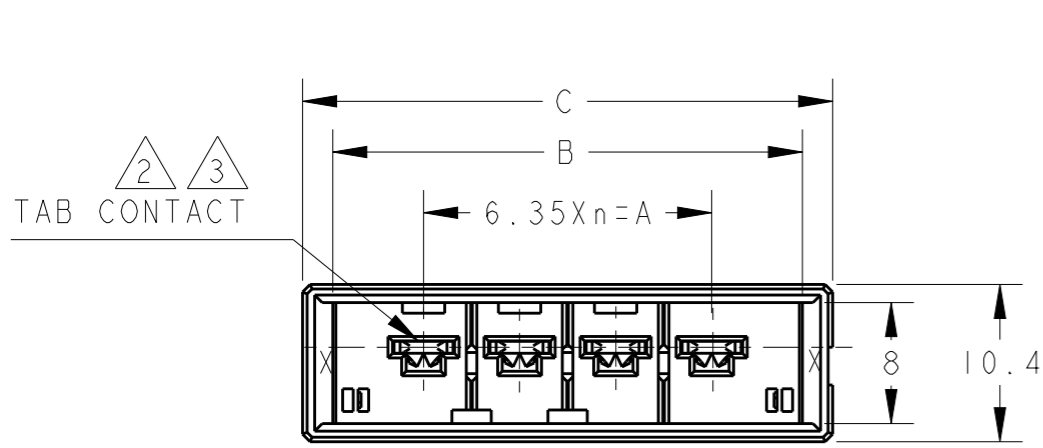
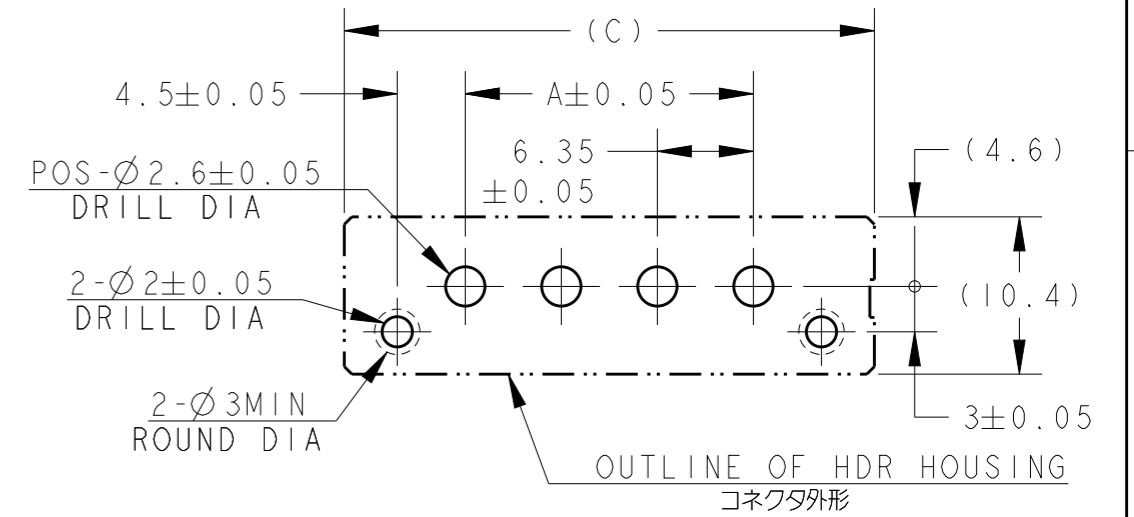
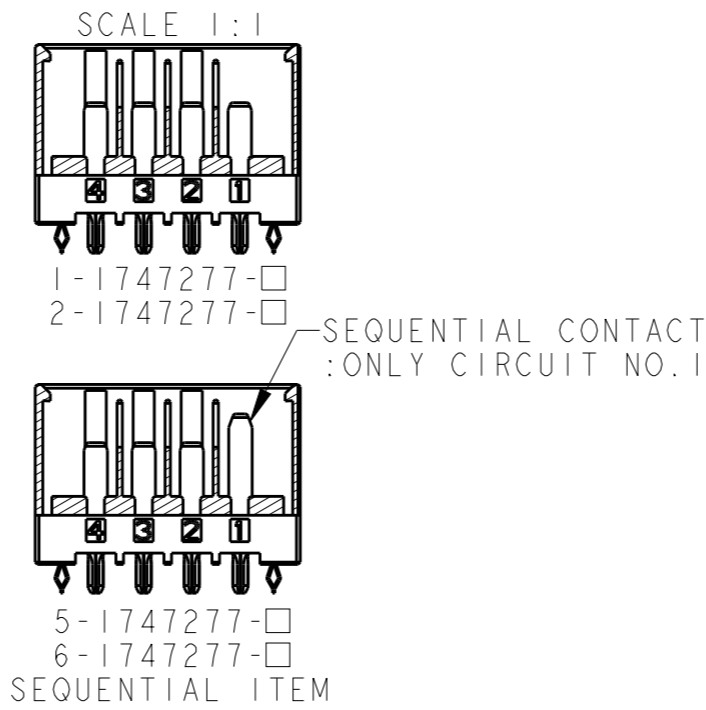


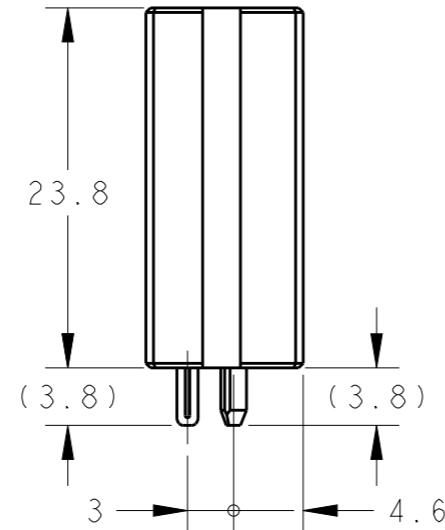
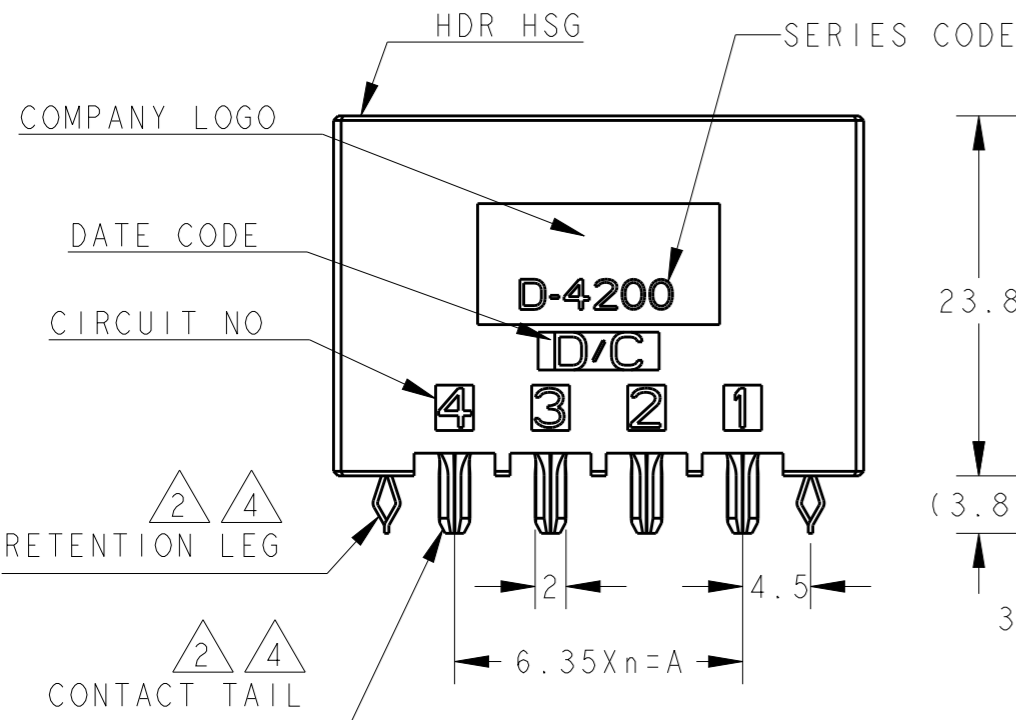
P	LTR	DESCRIPTION	DATE	DWN	APVD
	B	REVISED PER ECR-19-011328	18JUL2019	K.T	E.1



KEY LOCATION VIEW



推奨基板取付穴寸法: コネクタ搭載面 (非累積公差)
 PC基板厚: 1.6~2.4±0.1
 RECOMMEND PC BOARD HOLE PATTERN : CONNECTOR MOUNT SIDE (NOT ACCUMULATE TOLERANCE)
 PC BOARD THICKNESS : 1.6~2.4±0.1



AS SHOWN: 1-1747277-4 (4POS: X-KEY)

POS	n	KEY LOCATION	C	B	A	KEY	PART NUMBER
4	3		35.05	31.05	19.05	Y	2-1747277-4 6-1747277-4
4	3		35.05	31.05	19.05	X	1-1747277-4 5-1747277-4
3	2		28.70	24.70	12.70	Y	2-1747277-3 6-1747277-3
3	2		28.70	24.70	12.70	X	1-1747277-3 5-1747277-3
2	1		22.35	18.35	6.35	Y	2-1747277-2
2	1		22.35	18.35	6.35	X	1-1747277-2

1. MATERIAL: HOUSING: GLASS FIBER THERMO PLASTIC
 POLYESTER (94V-0), COLOR: BLACK
 CONTACT: COPPER ALLOY
 RETENTION LEG: COPPER ALLOY

- △2. FINISH (ALL OVER): NICKEL PL. 1.3μm MIN
- △3. FINISH (CONTACT AREA): GOLD PL. 0.38μm MIN AFTER △2
- △4. FINISH (CONTACT TAIL & RETENTION LEG): TIN PL. 2μm MIN AFTER △2

THIS DRAWING IS A CONTROLLED DOCUMENT.

DIMENSIONS: 単位: 概 mm	TOLERANCES UNLESS OTHERWISE SPECIFIED: 一般公差 ±0.3, ±3° 0 PLC ± 1 PLC ±0.5 2 PLC ±0.13 3 PLC ±0.013 4 PLC ±0.0001 ANGLES ±
MATERIAL 材料	FINISH 仕上
material_2	finish_spec_2

DWN	T. KUDO	02JUL2004
CHK	D. MITSUGI	02JUL2004
APVD	D. MITSUGI	02JUL2004
PRODUCT SPEC	108-78182	
APPLICATION SPEC	114-5369	
WEIGHT	-	
CUSTOMER DRAWING		

TE TE Connectivity

NAME
名称 DYNAMIC D4200S 6.35mm PITCH
HDR ASSY (V-TYPE)
2-4POS

SIZE	CAGE CODE	DRAWING NO	RESTRICTED TO
A3	00779	C-1747277	

SCALE 2:1 SHEET 1 OF 1 REV B

单击下面可查看定价，库存，交付和生命周期等信息

[>>TE Connectivity\(泰科\)](#)