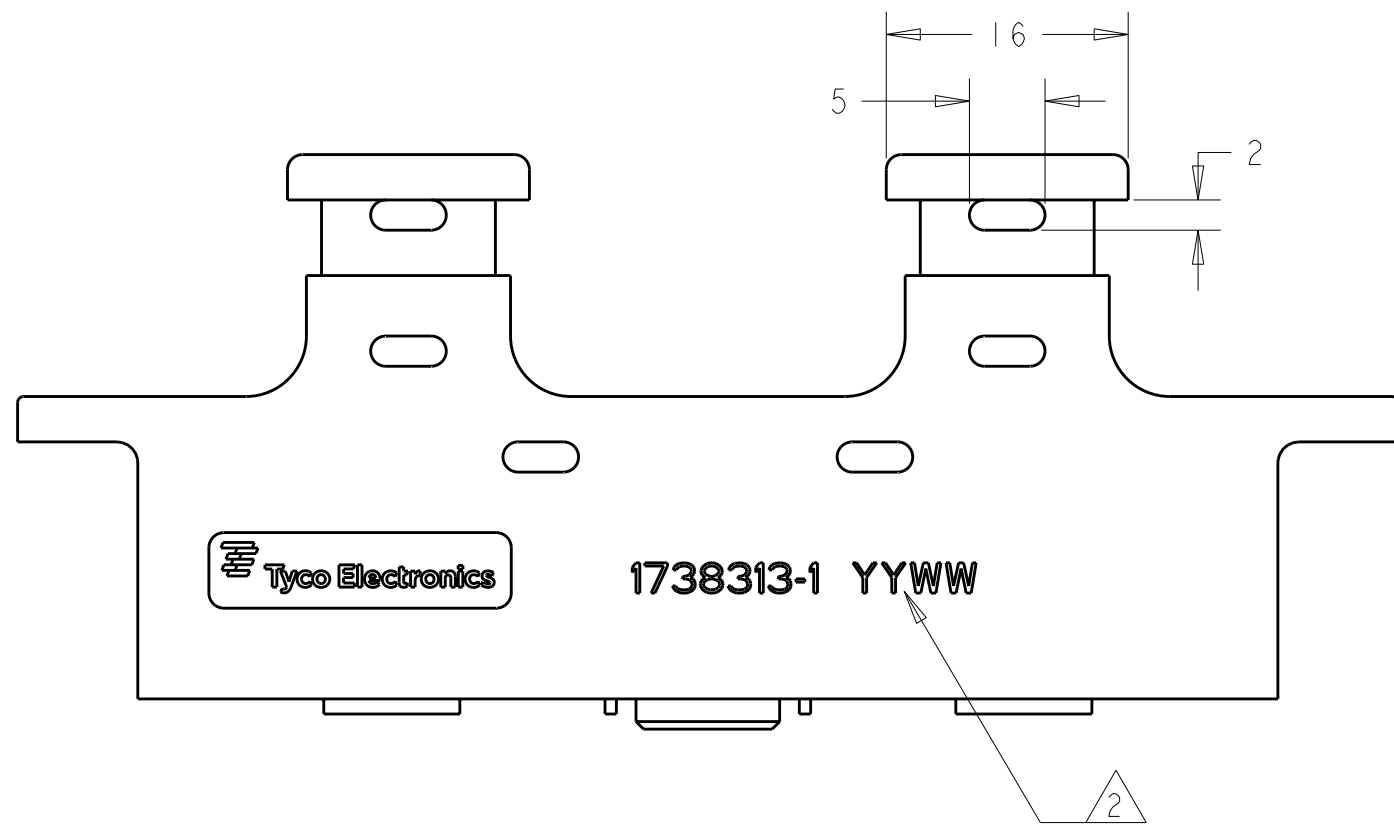
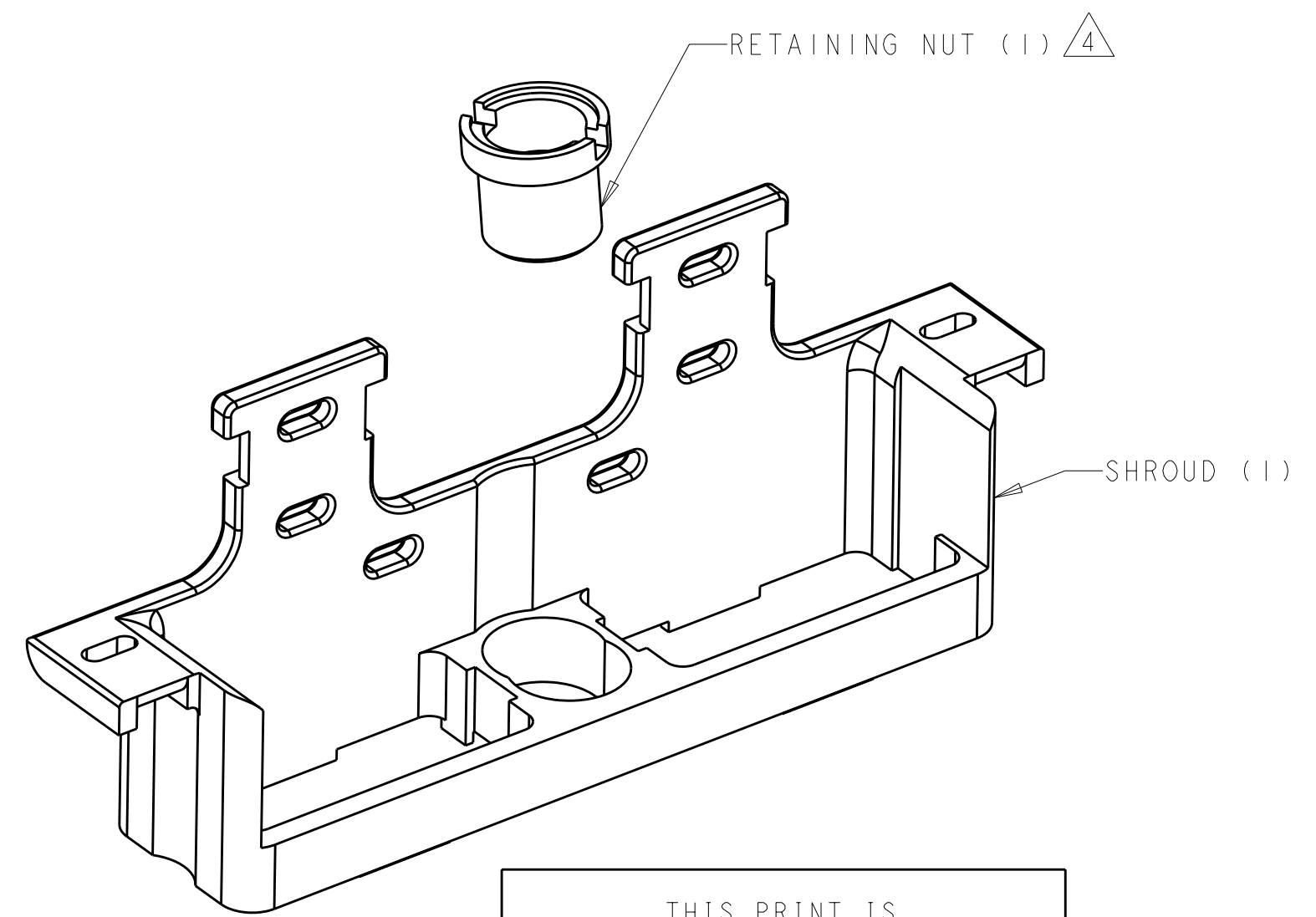
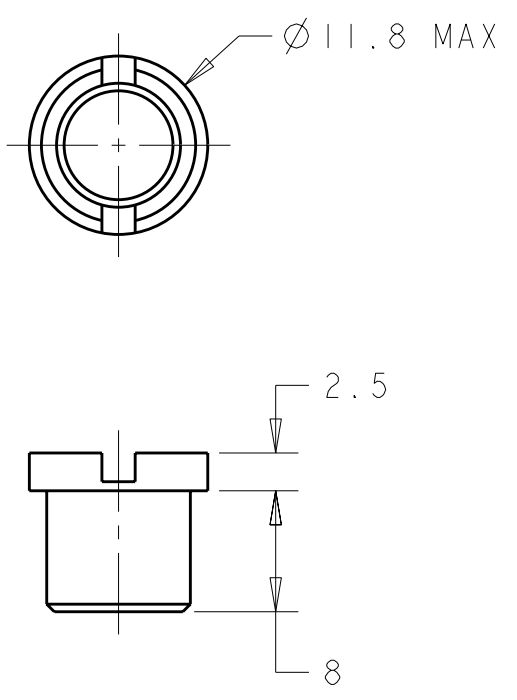
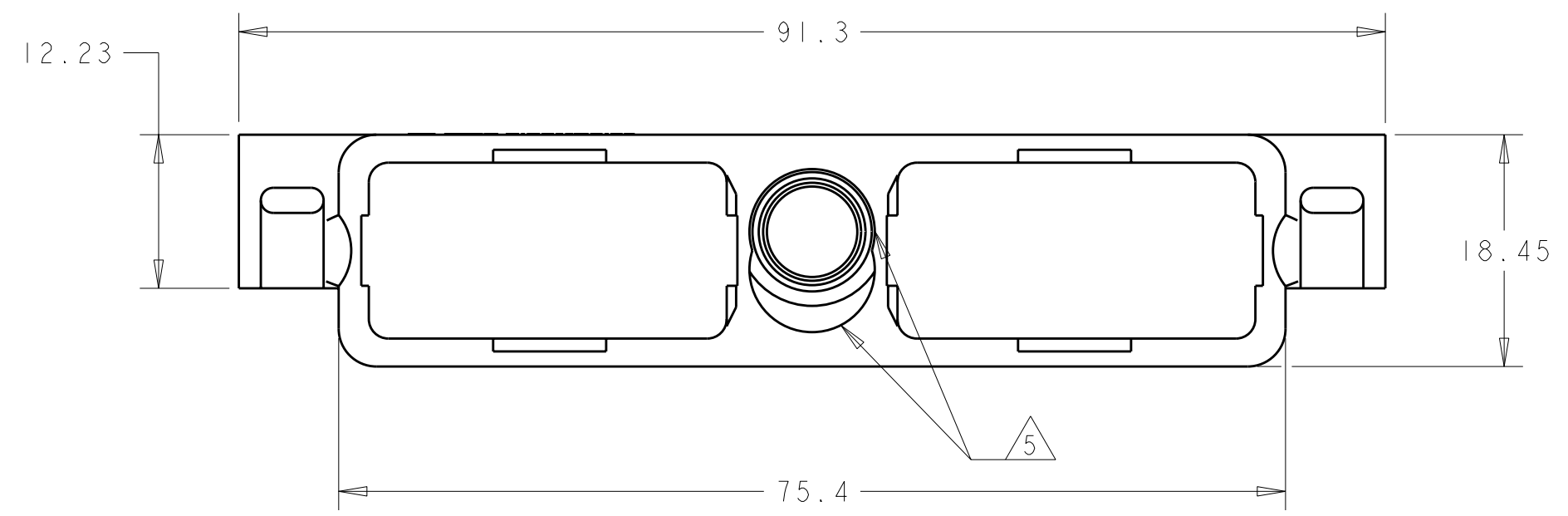


THIS DRAWING IS UNPUBLISHED. RELEASED FOR PUBLICATION 20
 © COPYRIGHT 20 BY TYCO ELECTRONICS CORPORATION. ALL RIGHTS RESERVED.

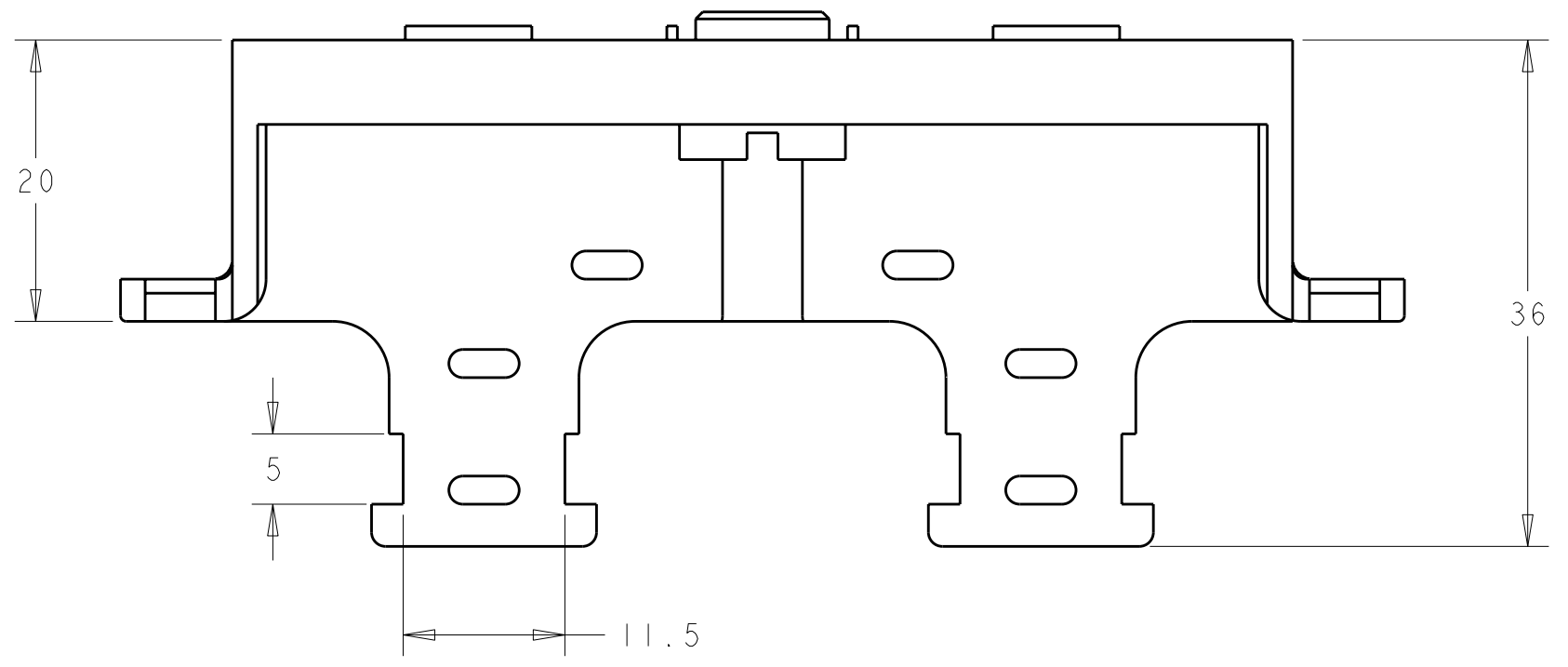
LOC		DIST		REVISIONS			
P	LTR	DESCRIPTION	DATE	DWN	APVD		
	1	PROPOSED	14MAR2005	BW	JPM		
	2	REVISED	16APR2010	RF	JM		



- 1 SHROUD: PEI THERMOPLASTIC PER ASTM D5205
RETAINING NUT: STAINLESS STEEL PER AISI 316.
- 2 DATE CODE - YEAR & WEEK (YY WW).
- 3. THE SHROUD AND LOCKING NUT ARE SHIPPED UNASSEMBLED.
- 4 A SPANNER WRENCH TOOL, TYCO ELECTRONICS P/N 1738220-1 (WITH 1/4-in. ADAPTER) OR 1738221-1 (WITH T-HANDLE) IS USED TO LOCK THE RETAINING NUT TO THE JACKSCREW OF THE CORRESPONDING GPR CONNECTOR.
- 5 TWO POSSIBLE LOCATIONS FOR THE RETAINING NUT.



THIS PRINT IS
PRELIMINARY
 UNQUALIFIED PRODUCT
 CONTACT PRODUCT ENGINEERING
 BEFORE USING THIS PRINT



1738313-1
 PART NUMBER

THIS DRAWING IS A CONTROLLED DOCUMENT FOR TYCO ELECTRONICS CORPORATION. IT IS SUBJECT TO CHANGE AND THE CONTROLLING ENGINEERING ORGANIZATION SHOULD BE CONTACTED FOR THE LATEST REVISION.		DWN	14MAR2005	Tyco Electronics	
DIMENSIONS:		CHK	14MAR2005	Harrisburg, PA 17105-3608	
mm	TOLERANCES UNLESS OTHERWISE SPECIFIED:	APVD	14MAR2005	NAME	
	0 PLC ±0.2	PRODUCT SPEC		STRAIN RELIEF KIT, STRAIGHT, GPRB2	
	1 PLC ±0.1	APPLICATION SPEC		SIZE	CAGE CODE
	2 PLC ±0.1			A200779	DRAWING NO
	3 PLC ±			C-1738313	RESTRICTED TO
	4 PLC ±				-
	ANGLES ±	WEIGHT		SCALE	SHEET
	FINISH ±			2:1	OF 1
MATERIAL		CUSTOMER DRAWING		REV	2

单击下面可查看定价，库存，交付和生命周期等信息

[>>TE Connectivity\(泰科\)](#)