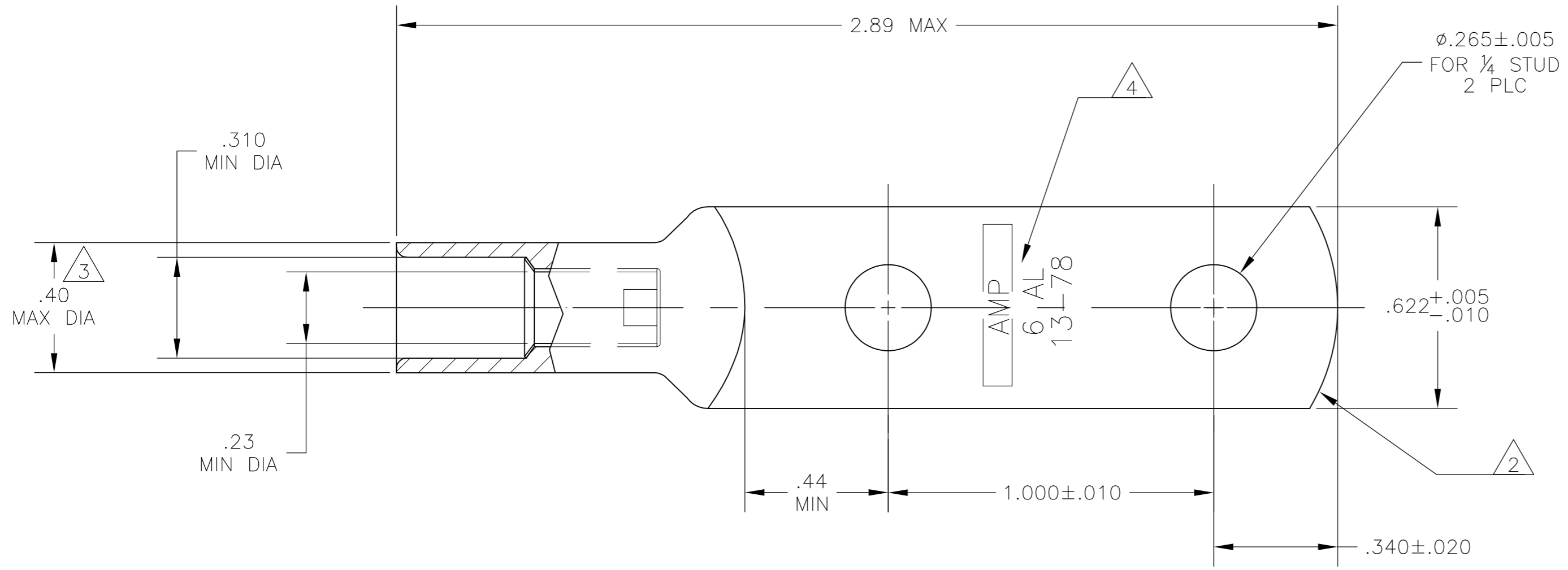
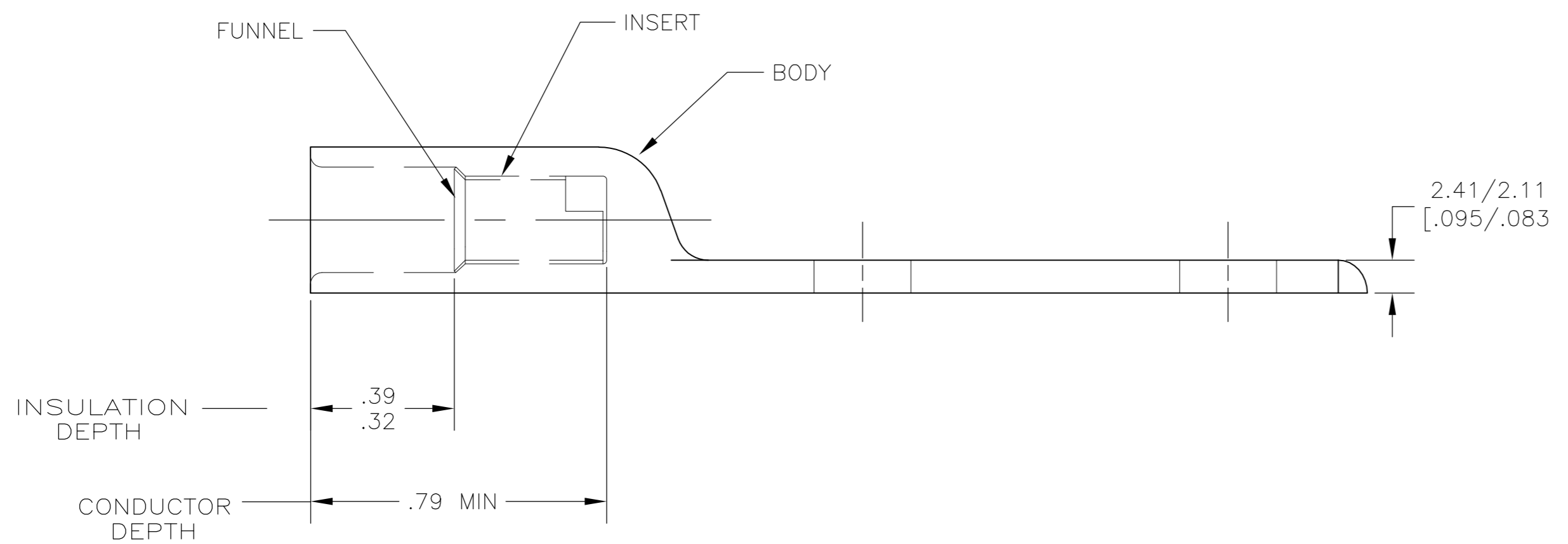


THIS DRAWING IS UNPUBLISHED. RELEASED FOR PUBLICATION
 © COPYRIGHT - By - ALL RIGHTS RESERVED.

LOC	DIST	REVISIONS			
P	LTR	DESCRIPTION	DATE	DWN	APVD
G	86	F	REVISED PER ECO-12-008336	20JUN12	PY BW



- 1 WIRE INSULATION: .261-291 DIA
- 2 THE TONGUE RADIUS FEATURE IS NOT A TOOLING CONTROLLED DIMENSION AND MAY NOT BE A TRUE RADIUS.
- 3 IMPACT FLASH PERMITTED .020 MAX
- 4 STAMP "AMP 6 AL 13-78" SIZE AND LOCATION APPROX AS SHOWN



BODY: COPPER ASTM-B187 ANNEALED TIN PL PER ASTM B-545 .000150 MIN THK	696999-1
INSERT & FUNNEL: BRASS PER ASTM B36 NICKEL PLATE SAE AMS QQ-N-290A, DATED JULY 2000, .000100 MIN THK	
MATERIAL & FINISH	PART NO.

THIS DRAWING IS A CONTROLLED DOCUMENT.		DWN	JR RUTH	01SEP06	 TE Connectivity
DIMENSIONS: INCHES		CHK	MJ SPICER	01SEP06	
TOLERANCES UNLESS OTHERWISE SPECIFIED:		APVD	MJ SPICER	01SEP06	
0 PLC ± - 1 PLC ± - 2 PLC ± .01 3 PLC ± .008 4 PLC ± - ANGLES ± - FINISH SEE TABLE		PRODUCT SPEC	NAME		
MATERIAL SEE TABLE		APPLICATION SPEC	WIRE TERMINAL, RING TONGUE, SEALED COPALUM, WIRE SIZE: 6 ALUMINUM		RESTRICTED TO
		WEIGHT	25 GRAMS	SCALE	2:1
		CUSTOMER DRAWING	SIZE	A2	CAGE CODE
			00779	DRAWING NO	696999
			SCALE	2:1	SHEET
				1	OF 1
				REV	F

单击下面可查看定价，库存，交付和生命周期等信息

[>>TE Connectivity\(泰科\)](#)