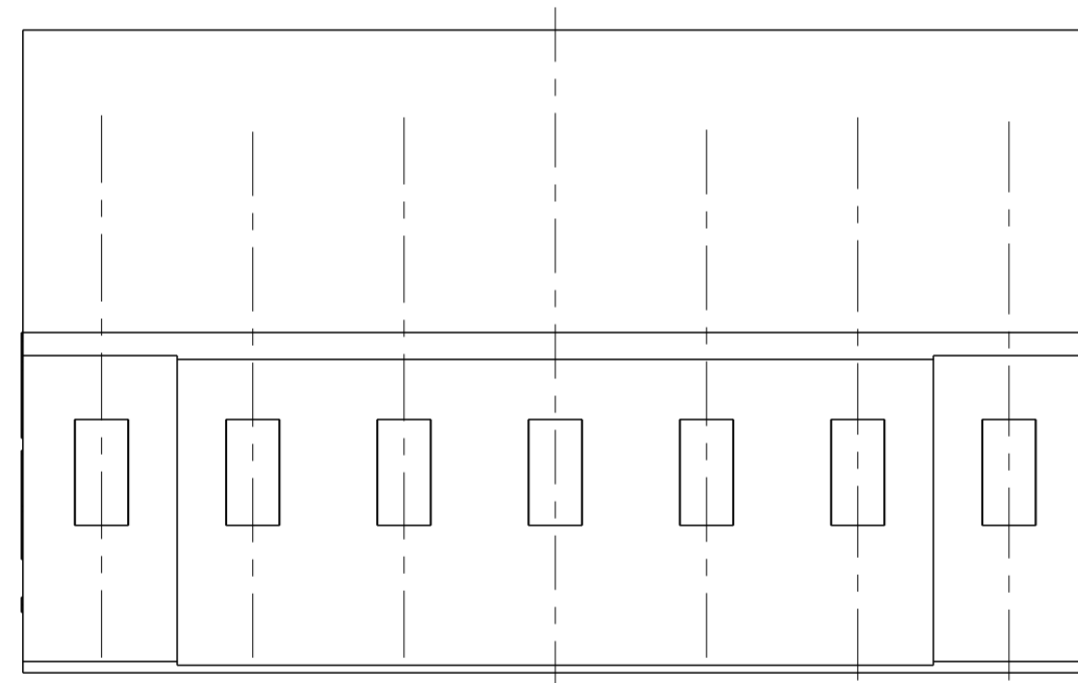
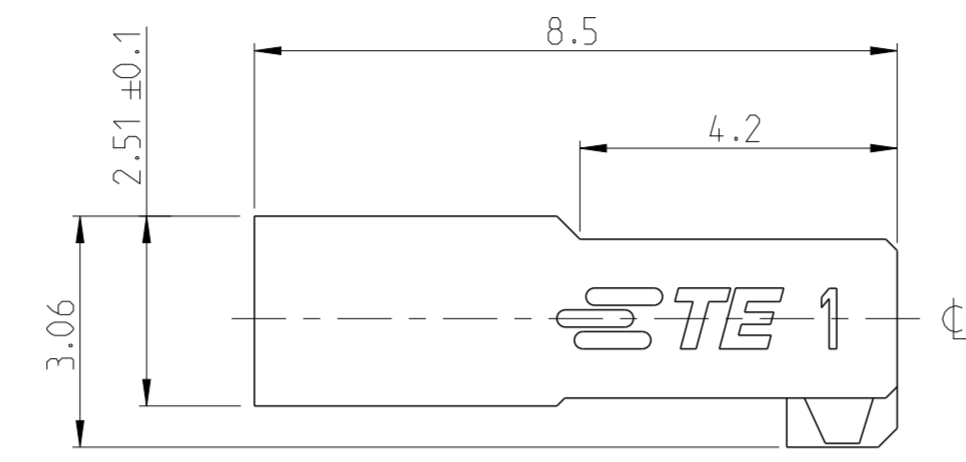
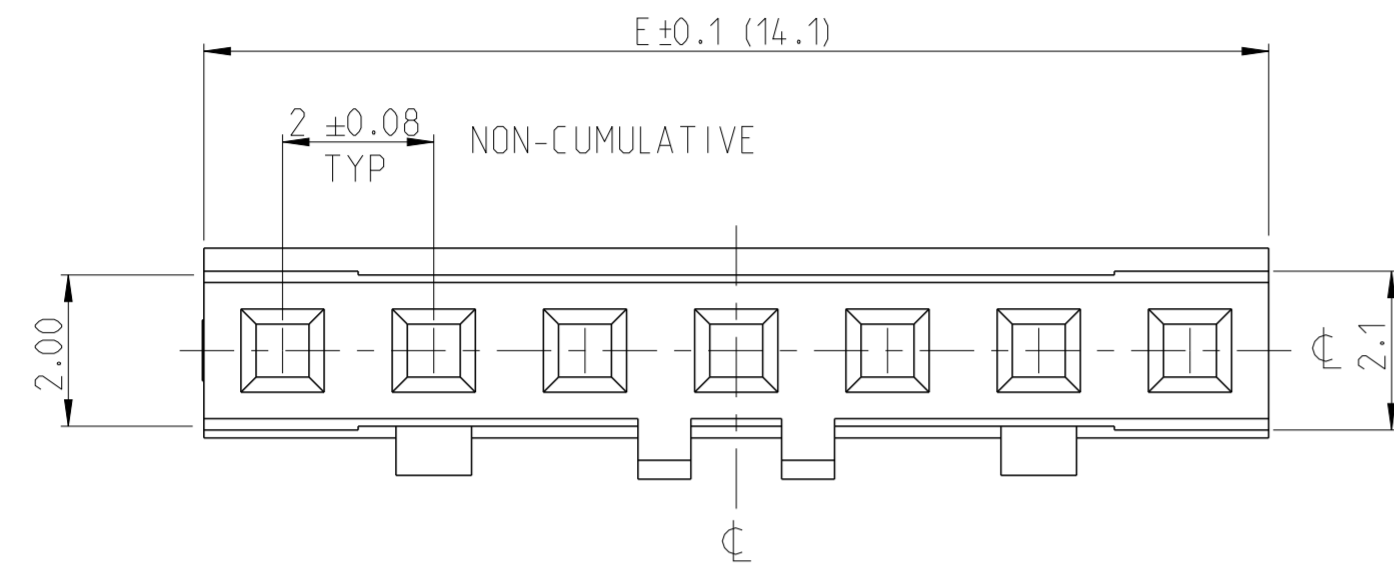


THIS DRAWING IS UNPUBLISHED. RELEASED FOR PUBLICATION
 © COPYRIGHT 2017 TE Connectivity ALL RIGHTS RESERVED.

REVISIONS				
P	LTR	DESCRIPTION	DATE	APVD
8		OUTER PROFILE CHANGED BACK	01MAR2019	SS PS
9		RIBS ADDED AT BOTH ENDS	05APR2019	HSR PS
10		OVERALL LENGTH UPDATED	12SEP2019	AY PS
11		REMOVED NOTE 5	19SEP2019	AY PS

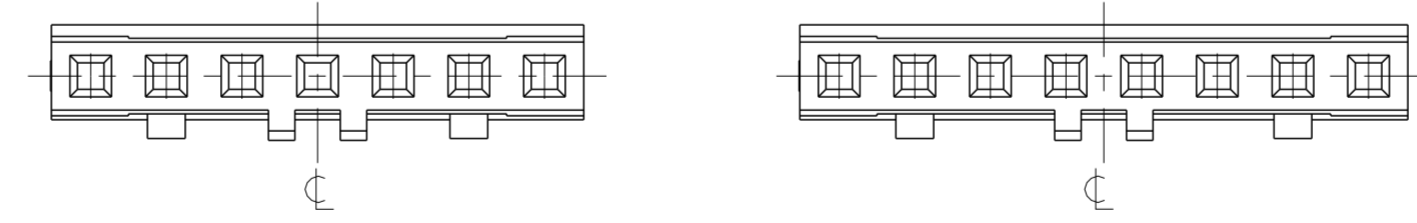
NOTES:

1. MATERIAL:
LCP BLACK, UL94 V0
2. N = NUMBER OF POSITION PER HOUSING.
3. HOUSING TO BE USED WITH CRIMP CONTACTS
2316113 (AWG 28-24/0.08-0.22 mm²) AND
2316114 (AWG 30-28/0.05-0.08 mm²)
4. PACKAGING : BULK BOX
TUBE PACKAGING IS ON REQUEST ONLY



CENTERLINE FOR ODD AND EVEN POSITION HOUSINGS

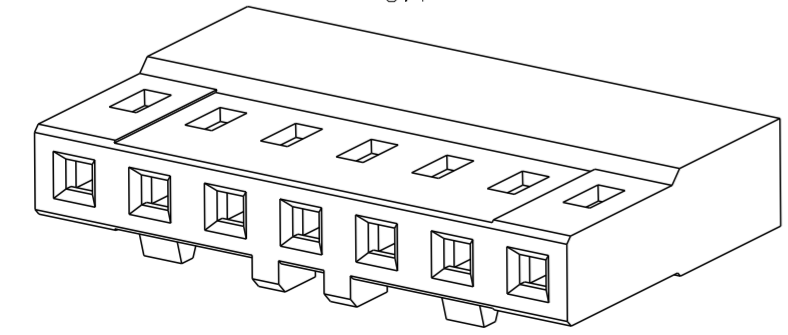
SCALE 5:1



SINGLE ROW HOUSING.
POLARIZED W/ LOCKING
RAMP VERSION

-7 AS SHOWN

6:1



BOX PACKAGING		
1-2316103-6	32.1	16
1-2316103-5	30.1	15
1-2316103-4	28.1	14
1-2316103-3	26.1	13
1-2316103-2	24.1	12
1-2316103-1	22.1	11
1-2316103-0	20.1	10
2316103-9	18.1	9
2316103-8	16.1	8
2316103-7	14.1	7
PART NO.	DIM "E"	N

THIS PRINT IS
PRELIMINARY
 UNQUALIFIED PRODUCT
 CONTACT PRODUCT ENGINEERING
 BEFORE USING THIS PRINT

THIS DRAWING IS A CONTROLLED DOCUMENT.

DIMENSIONS:	TOLERANCES UNLESS OTHERWISE SPECIFIED:
mm	0 PLC ±
	1 PLC ±0.15
	2 PLC ±0.10
	3 PLC ±
	4 PLC ±
	ANGLES ±2°
	FINISH -
MATERIAL	SEE NOTE 1
	-

DWN	29OCT2016
CHK	29OCT2016
APVD	11DEC2017
NAME	PRASHANTH S
PRODUCT SPEC	108-64040-1
APPLICATION SPEC	114-32173
WEIGHT	-
CUSTOMER DRAWING	

STE TE Connectivity	
NAME	AMPMODU 2mm RECEPTACLE, wTB HOUSING, CRIMP, SR, W/ LOCK RAMP
SIZE	A2
CAGE CODE	100779
DRAWING NO	C-2316103
RESTRICTED TO	-
SCALE	10:1
SHEET	1 OF 1
REV	11

单击下面可查看定价，库存，交付和生命周期等信息

[>>TE Connectivity\(泰科\)](#)