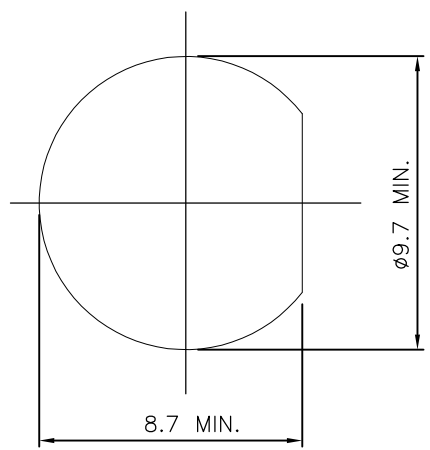
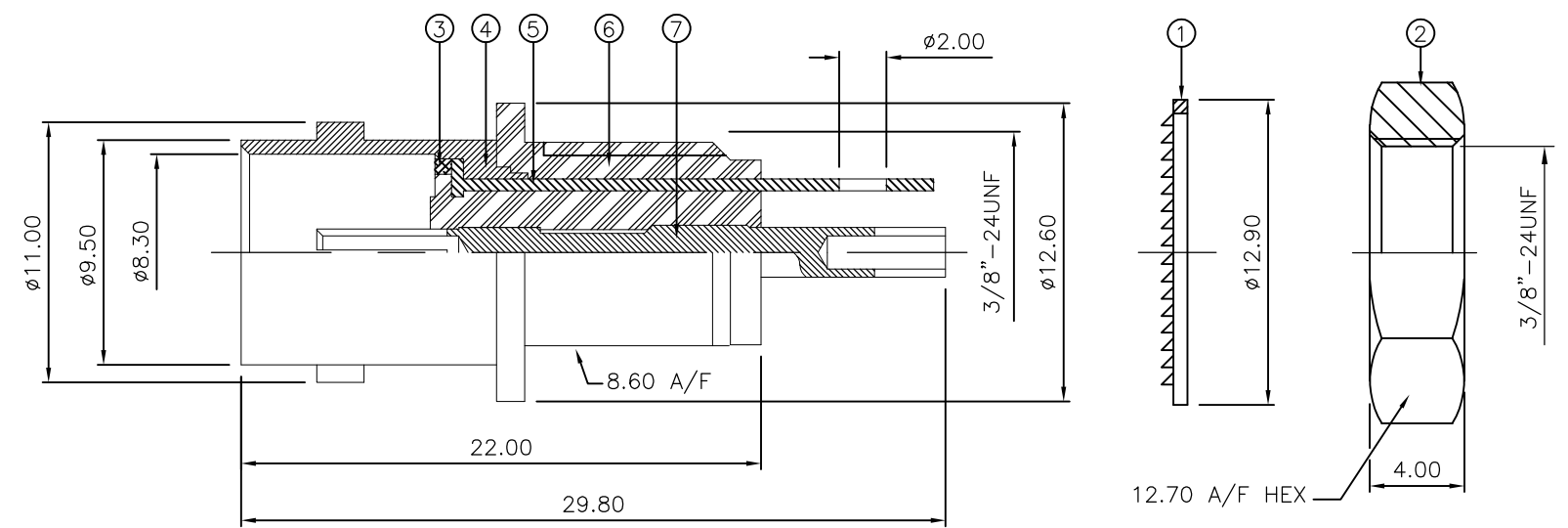


THIS DRAWING IS UNPUBLISHED. RELEASED FOR PUBLICATION AUGUST, 2006.
 © COPYRIGHT 2006 BY TYCO ELECTRONICS CORPORATION. ALL RIGHTS RESERVED.

LOC	DIST	REVISIONS			
P	LTR	DESCRIPTION	DATE	DWN	APVD
E	B	B	ECR-05-018891	04AUG06	JMS FWK
		C	ECO-11-011417	02JUN2011	TITAN MARTIN

NOTES:

- 1 PACK IN ACCORDANCE WITH AMP SPEC 107-3275
- 2 100 TRAY PACK IN ACCORDANCE WITH AMP SPEC 107-3275
- 3 Ag PLATING
- 4 Ni PLATING
- 5 Sn PLATING
- 6 ELECTRICAL CHARACTERISTICS
 FREQUENCY RANGE: DC - 1 GHz
 NOMINAL IMPEDANCE: 75 Ohms
 INSULATION RESISTANCE: 5000 MOhms
 WORKING VOLTAGE: 500 Volts RMS at Sea Level
 DIELECTRIC WITHSTAND VOLTAGE: 1500 Volts RMS Max
 CONTACT RESISTANCE:
 CENTRE CONTACT: 1.50 mOhms Max
 OUTER CONTACT: 1 mOhms Max
 VSWR @ xGHz: 1.5 MAX. @0.3 GHz
 INSERTION LOSS xdb: 0.5 dB MAX. @0.3 GHz
- 7 MECHANICAL CHARACTERISTICS
 COUPLING RETENTION FORCE: N/A
 CABLE RETENTION FORCE: N/A
 MOUNT NUT RECOMMENDED TORQUE: 2N
 DURABILITY: 500 Cycles Min
- 8 ENVIRONMENTAL CHARACTERISTICS
 OPERATING TEMPERATURE: -40 to +60 DegC
- 9 FOR TECHNICAL DATA REFER TO YOUR LOCAL TYCO ELECTRONICS SALES OFFICE
- 10 ALL DIMENSIONS ARE NOMINAL FOR REFERENCE ONLY UNLESS OTHERWISE STATED



MOUNTING HOLE

QTY	QTY	MATERIAL	DESCRIPTION	ITEM
1	1	BRASS	CONTACT	7
1	1	ABS	BODY A	6
1	1	BRASS	GROUNDING TAB	5
1	1	BRASS	BODY B	4
1	1	BRASS	WASHER	3
1	1	BRASS	HEX NUT	2
1	1	STEEL	LOCKWASHER	1
6--0	1--0	MATERIAL	DESCRIPTION	ITEM

THIS DRAWING IS A CONTROLLED DOCUMENT.		DWN J.SANDWELL 04AUG06	Tyco Electronics Corporation Bideford EX39 4HE	
DIMENSIONS: mm		CHK S.PARLOW 04AUG06		
TOLERANCES UNLESS OTHERWISE SPECIFIED:		APVD F.WHEELER-KING 04AUG06	NAME BNC INSULATED BULKHEAD SOCKET FRONT MOUNT 75 OHM	
0 PLC ± - 1 PLC ± - 2 PLC ± - 3 PLC ± - 4 PLC ± - ANGLES ± - FINISH -		PRODUCT SPEC -	SIZE A3	CAGE CODE 00779
MATERIAL SEE TABLE		APPLICATION SPEC -	DRAWING NO C-1478201	RESTRICTED TO -
		WEIGHT -	SCALE NTS	
		CUSTOMER DRAWING	SHEET 1 OF 1 REV C	

单击下面可查看定价，库存，交付和生命周期等信息

[>>TE Connectivity\(泰科\)](#)