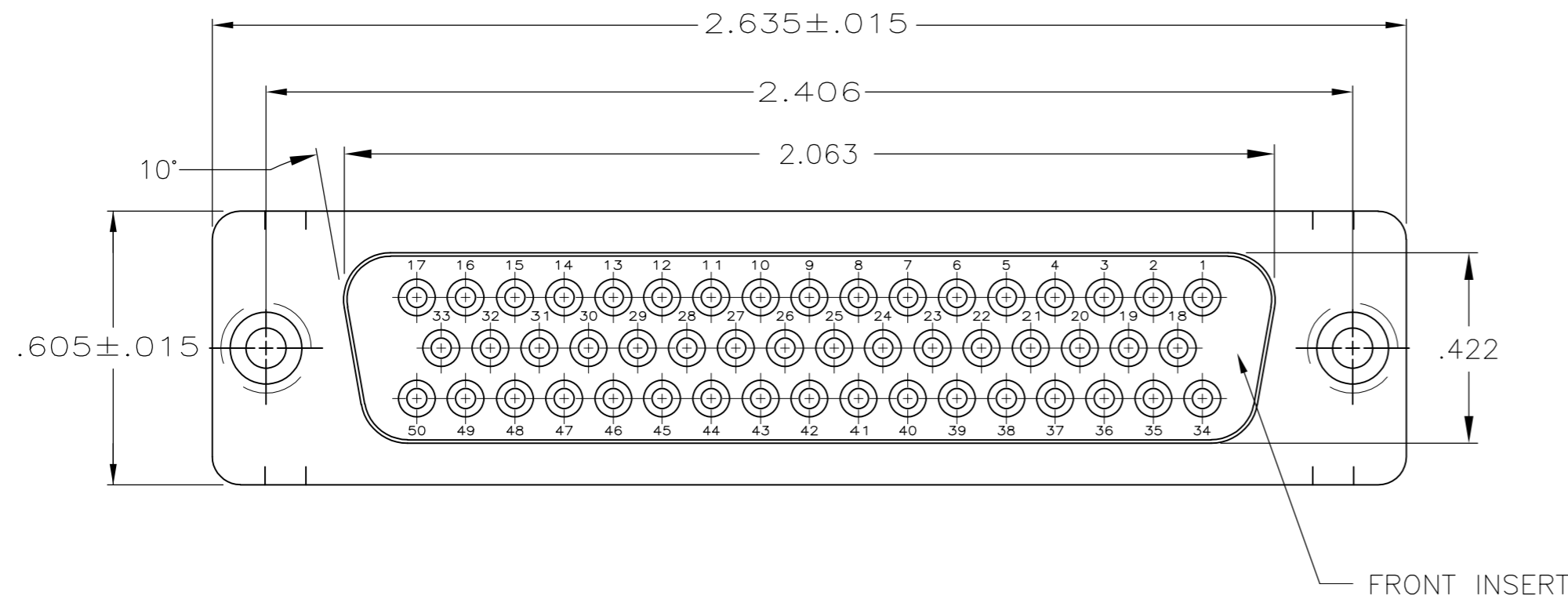
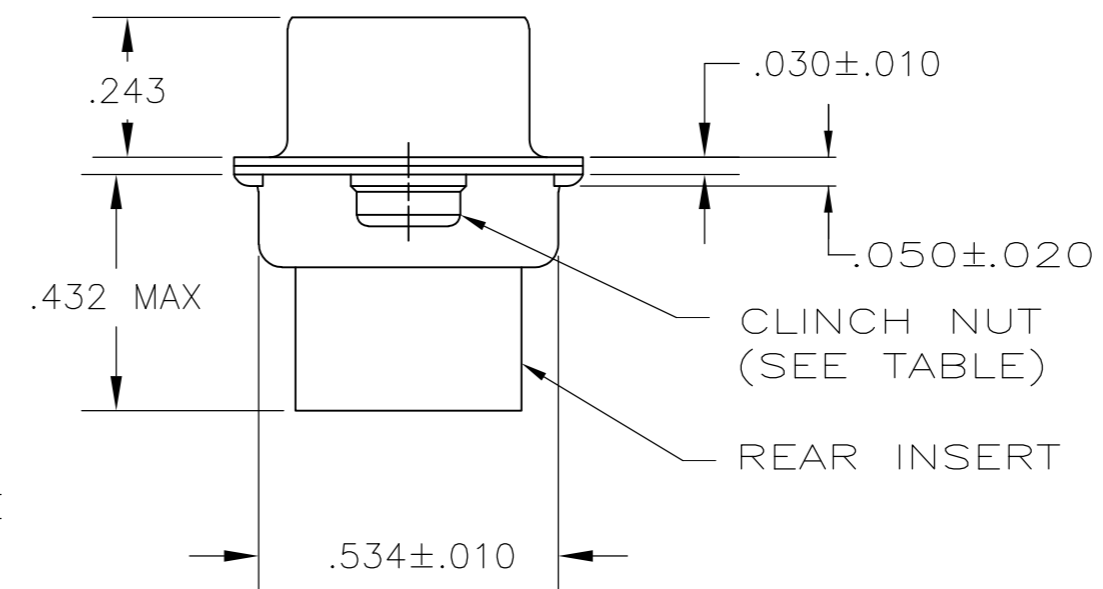
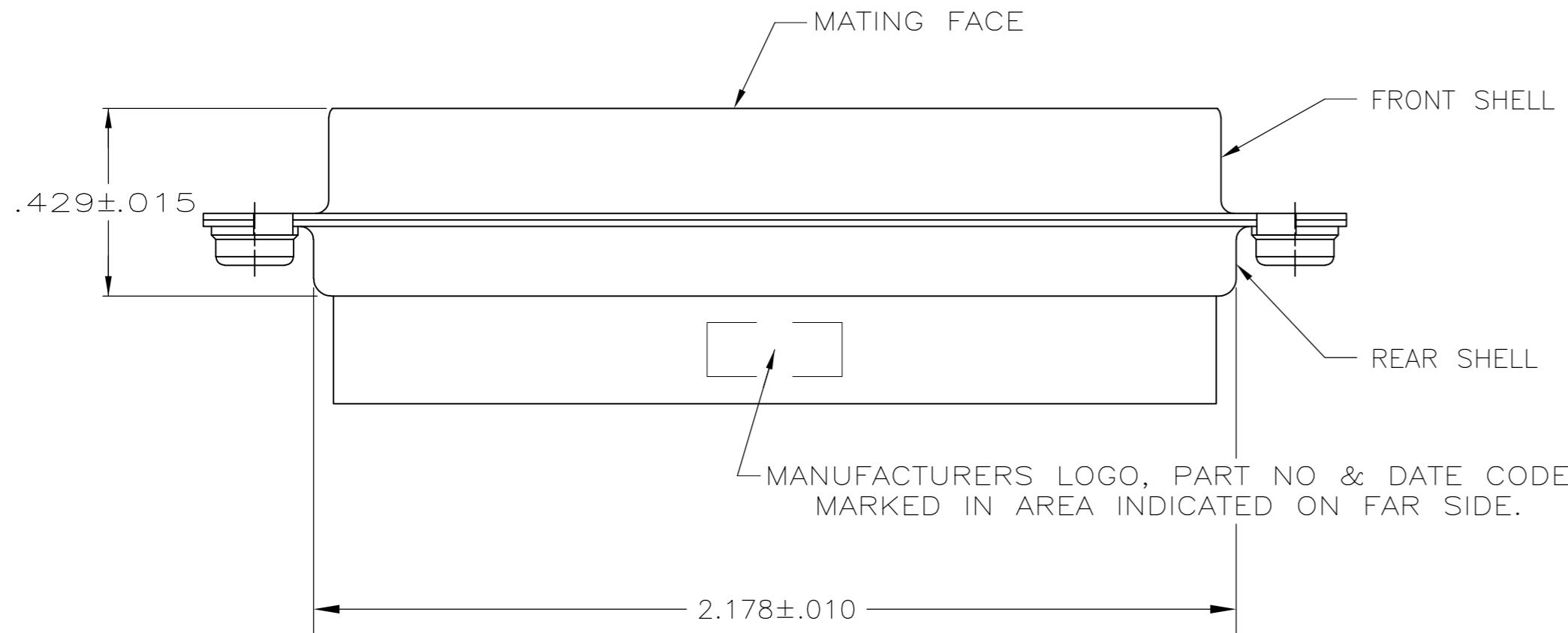


THIS DRAWING IS UNPUBLISHED. RELEASED FOR PUBLICATION
 © COPYRIGHT - By - ALL RIGHTS RESERVED.

LOC		DIST		REVISIONS			
P	LTR	DESCRIPTION		DATE	DWN	APVD	
GP	00	B		REVISED PER ECO-14-011808	11AUG2014	AP	SB



- 1. CONNECTOR ACCEPTS SIZE 20 DF SOCKET CONTACTS, RETENTION TINES ARE AN INTEGRAL PART OF INSERT.
- 2. INSERTS: GLASS-FILLED PBT OR GLASS-FILLED NYLON, UL94V-0 RATED. COLOR: BLACK.
- SHELLS & CLINCH NUTS: CARBON STEEL PER ASTM A109.
- 3. SHELLS: .000200 MIN TIN OVER .000100 MIN COPPER.
- 4. BLACK INSERT, ZINC PLATED CLEAR CHROMATE COATING.
- 5. BLUE INSERT, ZINC PLATED YELLOW CHROMATE COATING.



5	M3	5745884-2
4	4-40	5745884-1
CLINCH NUT FINISH	CLINCH NUT THREAD	PART NO

THIS DRAWING IS A CONTROLLED DOCUMENT.		DWN 12-21-04 L. VARELA - DOCK5	TE Connectivity	
DIMENSIONS: INCHES		CHK 12-21-04 J. GERACE	RECEPTACLE CONNECTOR, SIZE 5, 50 POS., W/ CLINCH NUTS, AMPLIMITE HDP	
TOLERANCES UNLESS OTHERWISE SPECIFIED:		APVD 12-21-04 M. WALMSLEY	SIZE	RESTRICTED TO
0 PLC ± -	1 PLC ± -	PRODUCT SPEC	A2	-
2 PLC ± -	3 PLC ± .005	APPLICATION SPEC	CAGE CODE	SCALE
4 PLC ± -	ANGLES ± -	114-40030	00779	4:1
MATERIAL	FINISH SHELLS: 3 CLINCH NUTS: SEE TABLE	WEIGHT -	DRAWING NO	SHEET
2		CUSTOMER DRAWING	C=5745884	1 of 1
			REV	B

5745884

单击下面可查看定价，库存，交付和生命周期等信息

[>>TE Connectivity\(泰科\)](#)

[>>点击查看相关商品](#)