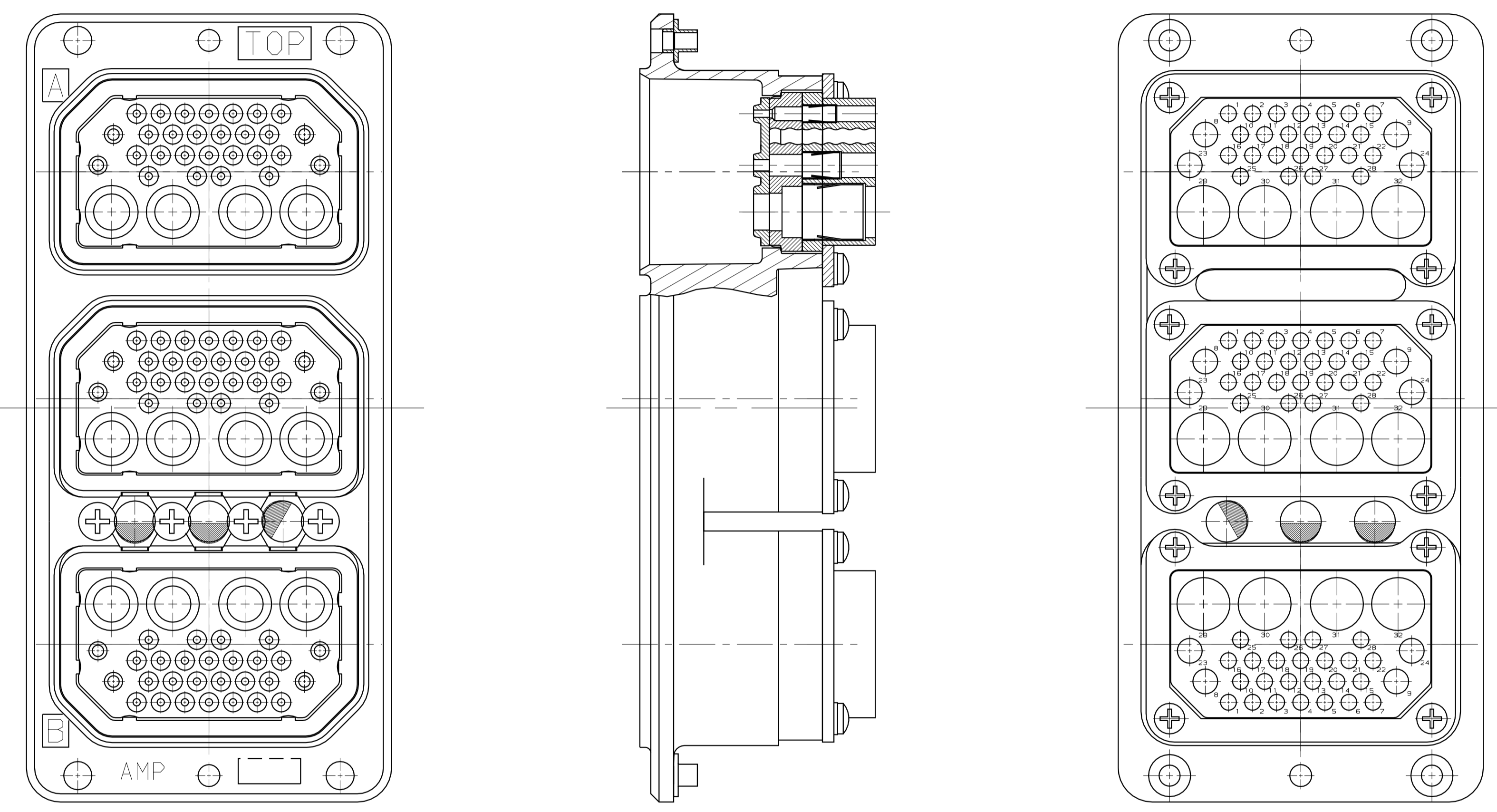


LOC		DIST		REVISIONS			
		SP	LTR	DESCRIPTION	DATE	DWN	APVD
-	-	-	-			-	-



THIS DRAWING IS A CONTROLLED DOCUMENT FOR AMP INCORPORATED. IT IS SUBJECT TO CHANGE AND THE CONTROLLING ENGINEERING ORGANIZATION SHOULD BE CONTACTED FOR THE LATEST REVISION.

DIMENSIONS: IN (mm)	TOLERANCES UNLESS OTHERWISE SPECIFIED: 0 PLC ±.01 1 PLC ±.02 2 PLC ±.03 3 PLC ±.04 A PLC ±.05 ANGLES	DWN I. THOMPSON 06-02-95	AMP Incorporated Harrisburg, PA 17105-3608
MATERIAL	FINISH	CHK K. GUARAGNO	
PRODUCT SPEC APPLICATION SPEC		APVD K. GUARAGNO	NAME
WEIGHT		SIZE A1	CAGE CODE 00779
CUSTOMER DRAWING		DRAWING NO C-443150	SCALE 2:1
		SHEET 1 OF 1	REV 0

单击下面可查看定价，库存，交付和生命周期等信息

[>>TE Connectivity\(泰科\)](#)