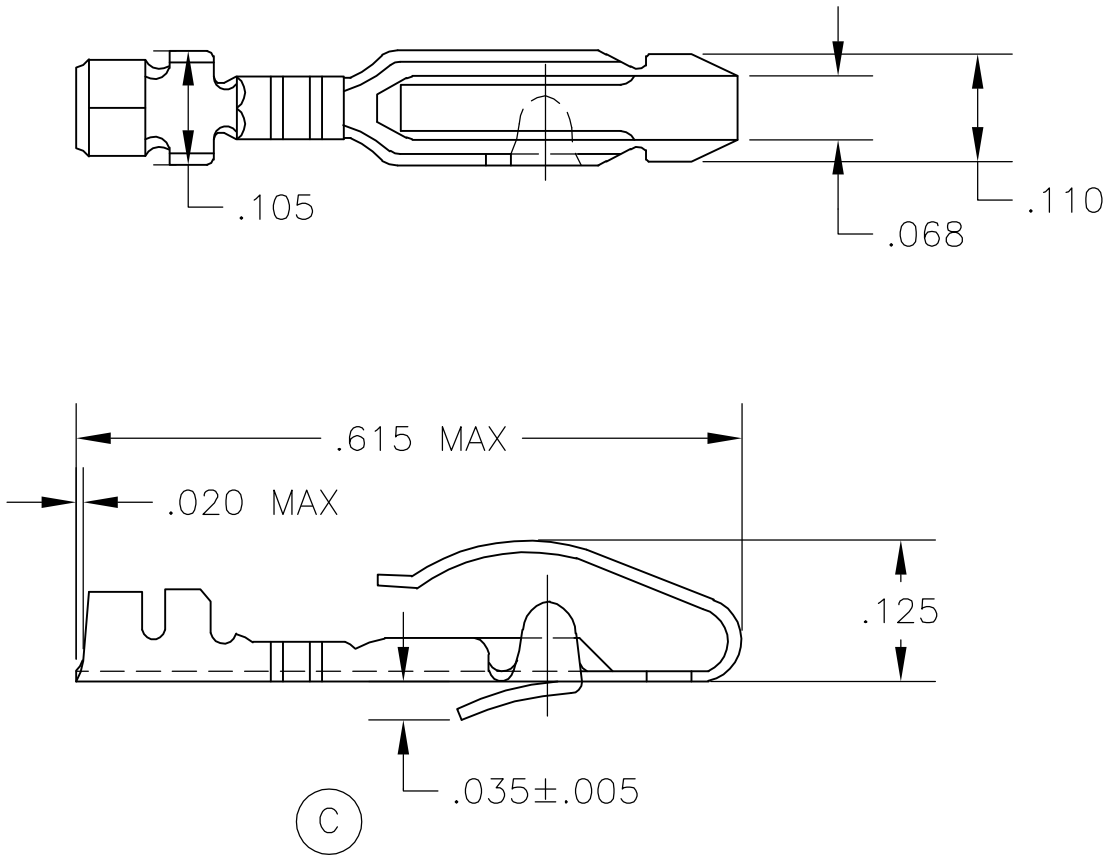


LOC AD	DIST 00	REVISIONS			
P	LTR	DESCRIPTION	DATE	DWN	APVD
	E	ECO 05 003616	08APR06	BSV	MM



- 66084-1 1. AS SHOWN
- 66084-2 1. SAME AS -1 EXCEPT:  
2. TIN PLATED.
- 66084-3 1. SAME AS -1 EXCEPT:  
2. GOLD PLATED.
- 5-66084-2 1. SAME AS -1 EXCEPT:  
2. MATTE TIN PLATED.

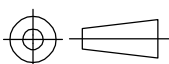
THIS DRAWING IS UNPUBLISHED.

ALL RIGHTS RESERVED.

COPYRIGHT BY TYCO ELECTRONICS CORPORATION.

THIS DRAWING IS UNPUBLISHED.

DIMENSIONS: INCHES	DWN	-	MATERIAL	PHOS. BRONZE	FINISH	-
	CHK	-	Tyco Electronics Corporation Harrisburg, Pa 17105-3608			
TOLERANCES UNLESS OTHERWISE SPECIFIED:	APVD	-				
0 PLC ± -	PRODUCT SPEC	-	NAME AMP LEAF USED FOR DUMMY TERMINAL			
1 PLC ± -	APPLICATION SPEC	-	SIZE	A4	CAGE CODE	00779
2 PLC ± -	WEIGHT	-	DRAWING NO	C-66084		RESTRICTED TO
3 PLC ± .015			SCALE		5:1	SHEET 1 OF 1
4 PLC ± -			CUSTOMER DRAWING		REV	E
ANGLES ± 1'						



单击下面可查看定价，库存，交付和生命周期等信息

[>>TE Connectivity\(泰科\)](#)