

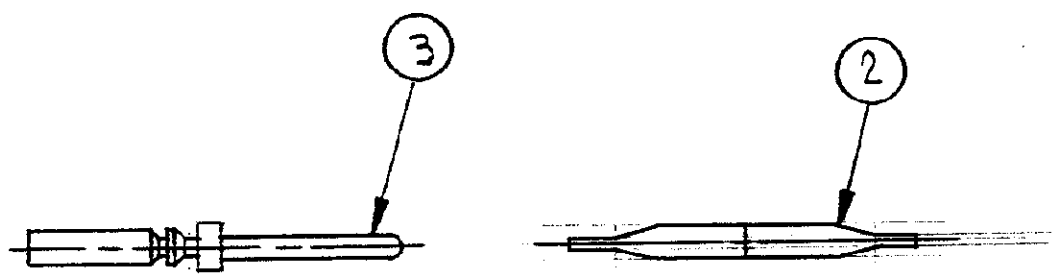
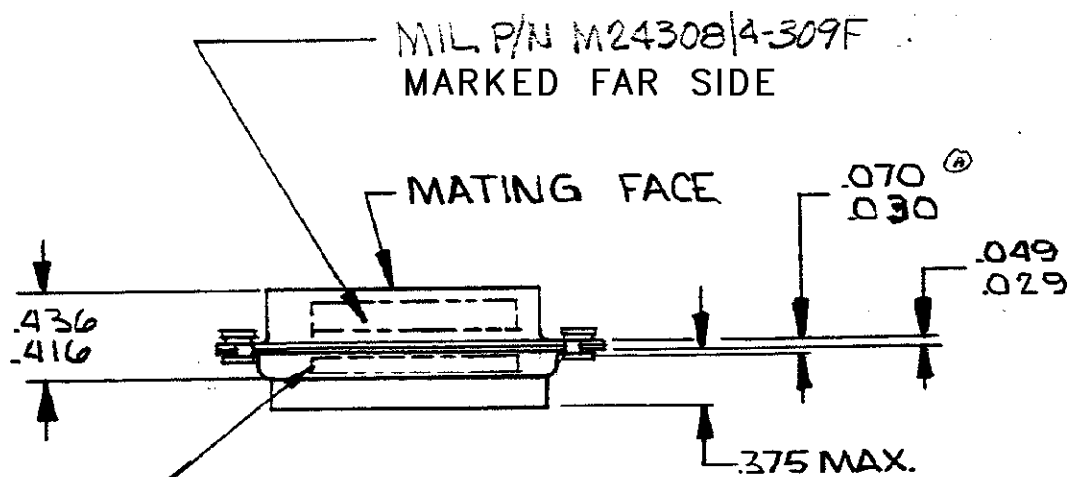
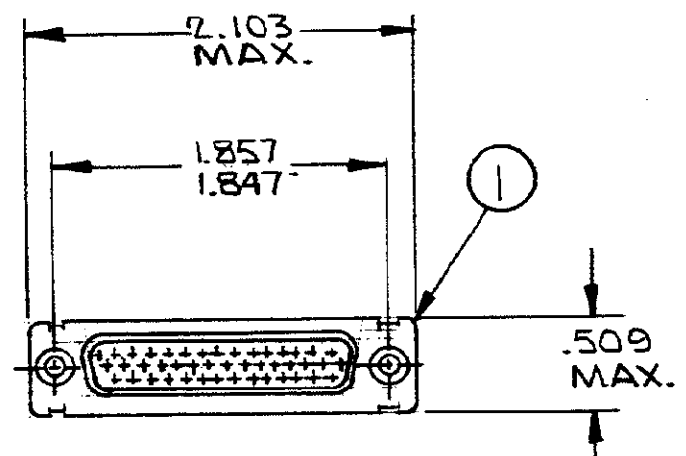
DRAWING MADE IN AMERICAN PROJECTION

© 1971 BY AMP INCORPORATED. ALL RIGHTS RESERVED. AMP PRODUCTS COVERED BY PATENTS AND/OR PATENTS PENDING.

Unpublished copy not to be reproduced without written permission of AMP Incorporated

⚠ APPROPRIATE MILITARY P/N (KIT) IS MARKED ON PACKAGE

REVISIONS				
ZONE	LTR	DESCRIPTION	DATE	APPROVED
A		REV. PER ECN B-948	5/14/73	[Signature]
B		ITEM 2 WAS 91054-1 ECN C-878	3/17/74	[Signature]
C		REV. PER ECN D-105	7/11/74	[Signature]
D		REV PER ELN DF-001; DF-060 & R2670	1-13-88	EAM
E		ECO-08-023688	PY 11-08	BW



SUPSD BY 204541-2 & 91067-1

48	48	B	204370-2	CONTACT, SOCKET, SIZE #22D	3
1	1	B	91067-1	INSERTION / EXTRACTION TOOL	2
1	1	C	204529-1	PLUG ASS'Y, SIZE #3	1
-3	-2	-1	DWG SIZE	NUMBER	NAME
					ITEM NO.

204541 204541 204541	UNLESS OTHERWISE SPECIFIED DIMENSIONS ARE IN INCHES TOLERANCES ON: DECIMALS ± # ANGLES ± #		CONTRACT NO.		AMP INCORPORATED HARRISBURG, PENNSYLVANIA
	MATERIAL #		DR. <i>R.P. Matthews</i> 7-15-71	NAME KIT, "HDD" SERIES, PLUG, SIZE #3 WITH FLOATING BUSHINGS	
		APPR. <i>[Signature]</i> 7-20-71	REL. <i>[Signature]</i> 7-20-71	SIZE B	CODE IDENT NO. 00779
		DSGN APPD <i>[Signature]</i> 7/20/71	OTHER APPD	NUMBER 204541	REV E
				SCALE #	SHEET 1 OF 1

CUSTOMER DRAWING

单击下面可查看定价，库存，交付和生命周期等信息

[>>TE Connectivity\(泰科\)](#)