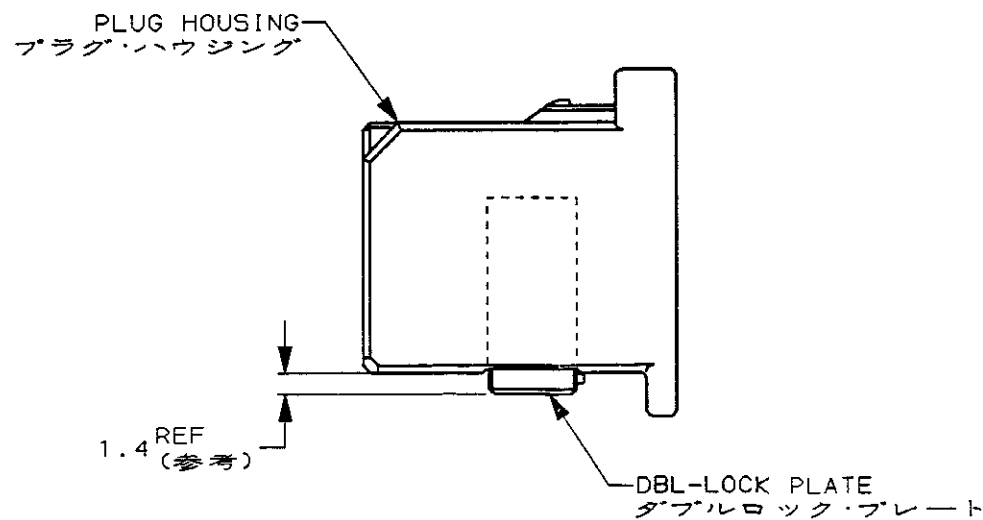
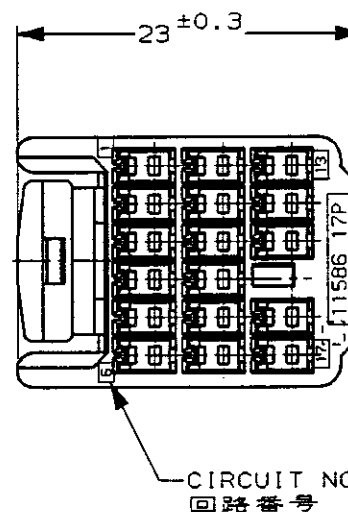
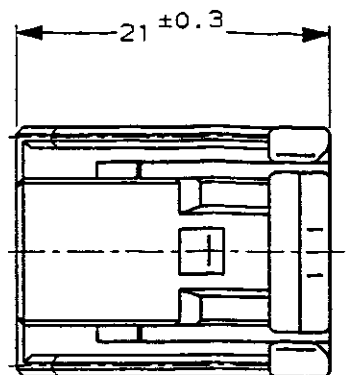
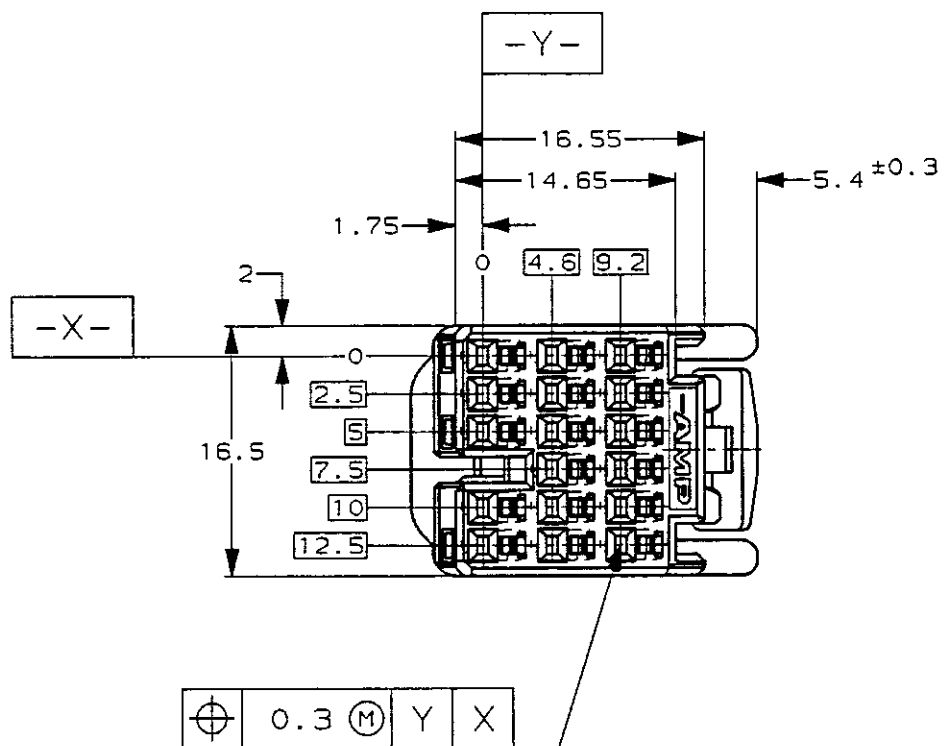


| LOC | DIST | REVISIONS | | | | | | |
|-----|------|-----------|-----|-------------|--------------|---------|-----|------|
| | | P | LTR | DESCRIPTION | ECN | DATE | DWN | APVD |
| J | - | 0 | | DRAWN | FJ00-4999-96 | 7/5 '96 | 724 | 7/15 |



NOTES

- PART NUMBER OF CAP HOUSINGS TO BE MATED; 353015, 353016
- DETAILS OF CAVITIES; SEE TABLE-1

注記

- 嵌合相手ハウジング型番; 353015, 353016
- キャビティ構成は、TABLE-1 参照

TABLE-1

| CAVITY キャビティ | POS. 極数 | CIRCUIT NO 回路番号 | APPLIED CONTACT P/N 適用端子型番 | APPLICABLE WIRE RANGE 適用電線 |
|-----------------|------------|--------------------|--|--|
| | 17 | 1-17 | .040 III UNSEALED CONTACT RECEPTACLE (S) 316836, 316837 | AVSS/CAVS 0.3-0.5mm ² CAVUS 0.3-0.5mm ² |

THIS DRAWING IS A CONTROLLED DOCUMENT FOR AMP INCORPORATED. IT IS SUBJECT TO CHANGE AND THE CONTROLLING ENGINEERING ORGANIZATION SHOULD BE CONTACTED FOR THE LATEST REVISION.

| | |
|---------------------------|--|
| DIMENSIONS, 単位・寸 mm | TOLERANCES UNLESS OTHERWISE SPECIFIED 一般公差 10% : ±0.2 30% : ±0.25 100% : ±0.3 ANGLE : ±3° |
| | |
| MATERIAL 材料 PBT | COLOR 色 SEE TABLE 表参照 |

OWN: 7/5 '96
CHK: J. Kohno 7/5 '96
APVD: [Signature]

PRODUCT SPEC
製品規格
108-5529

APPLICATION SPEC
取付適用規格
114-5217

WEIGHT
3.69g

CUSTOMER DRAWING

| | |
|--|--------------------|
| NATURAL (自然色) | 353027-1 |
| COLOR (色) | PART NUMBER (型番) |
| AMP 日本エー・エム・ピー株式会社 Kawasaki, Japan | |
| .040 SERIES HIGH DENSITY III CONNECTOR 17P PLUG HOUSING ASSY | |
| SIZE A3 | CAGE CODE 00779 |
| DRAWING NO ③-353027 | |
| SCALE 尺度 2-1 | SHEET 1 OF 1 |
| REV 0 | |

单击下面可查看定价，库存，交付和生命周期等信息

[>>TE Connectivity\(泰科\)](#)