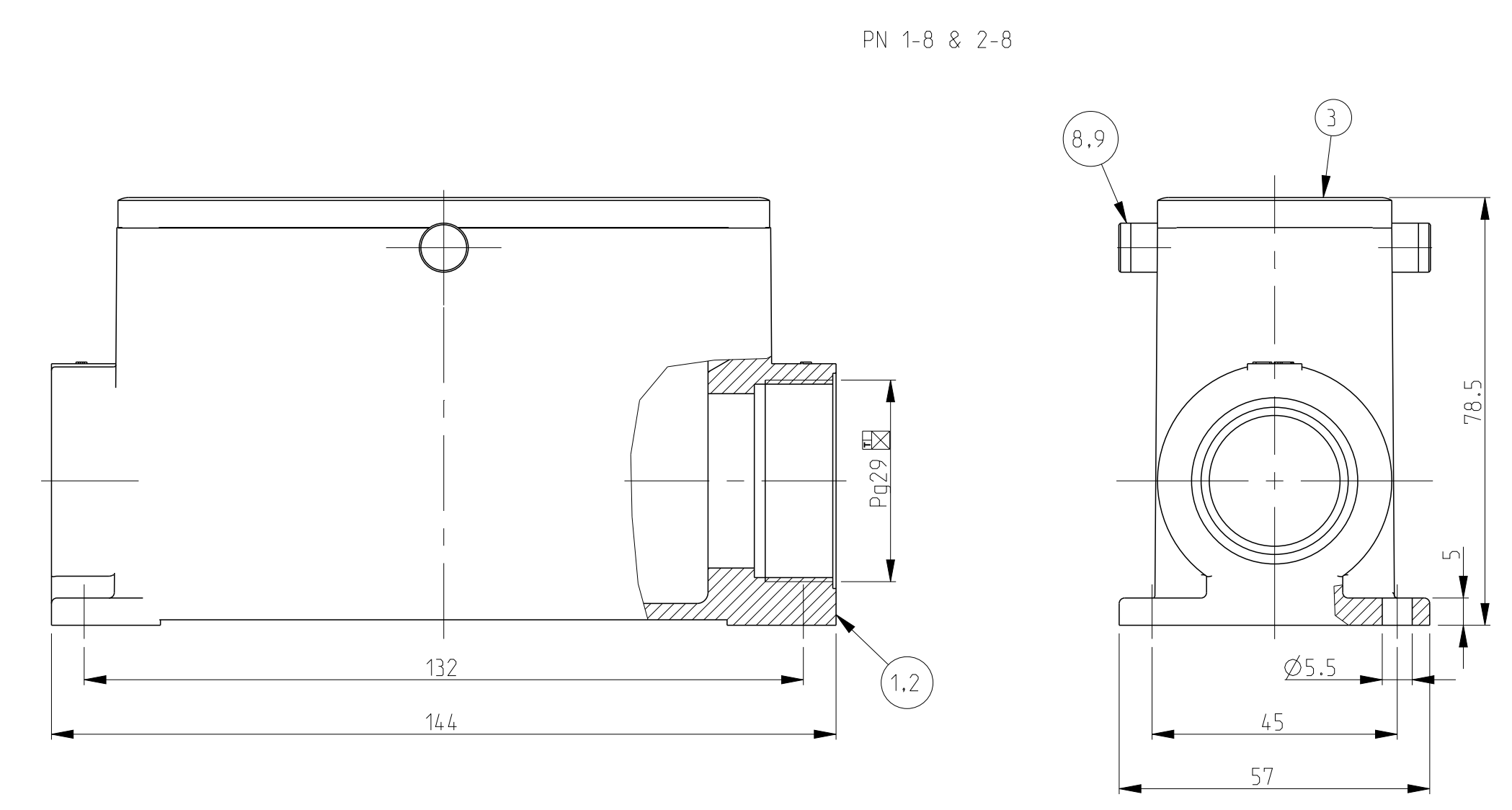
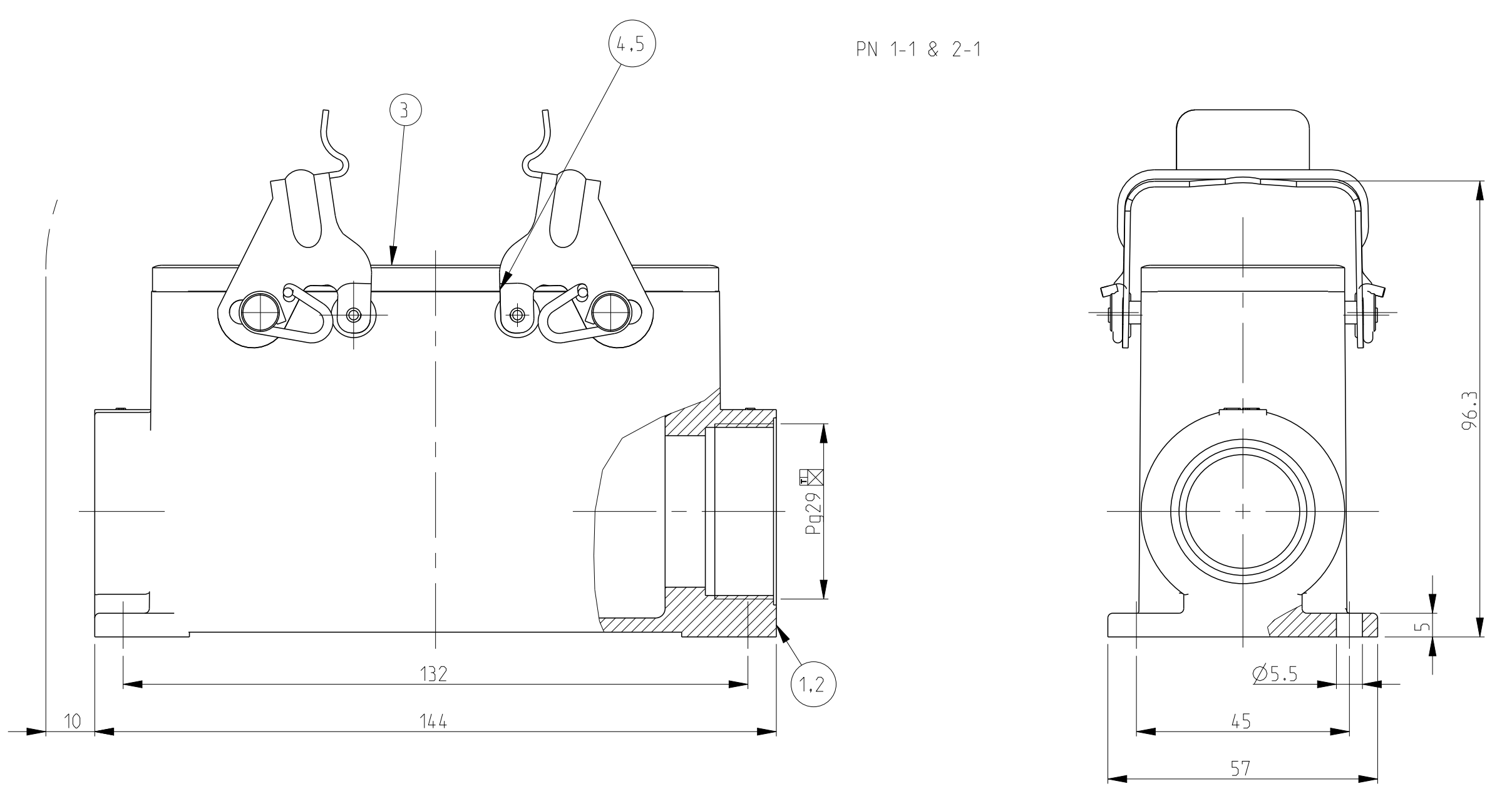
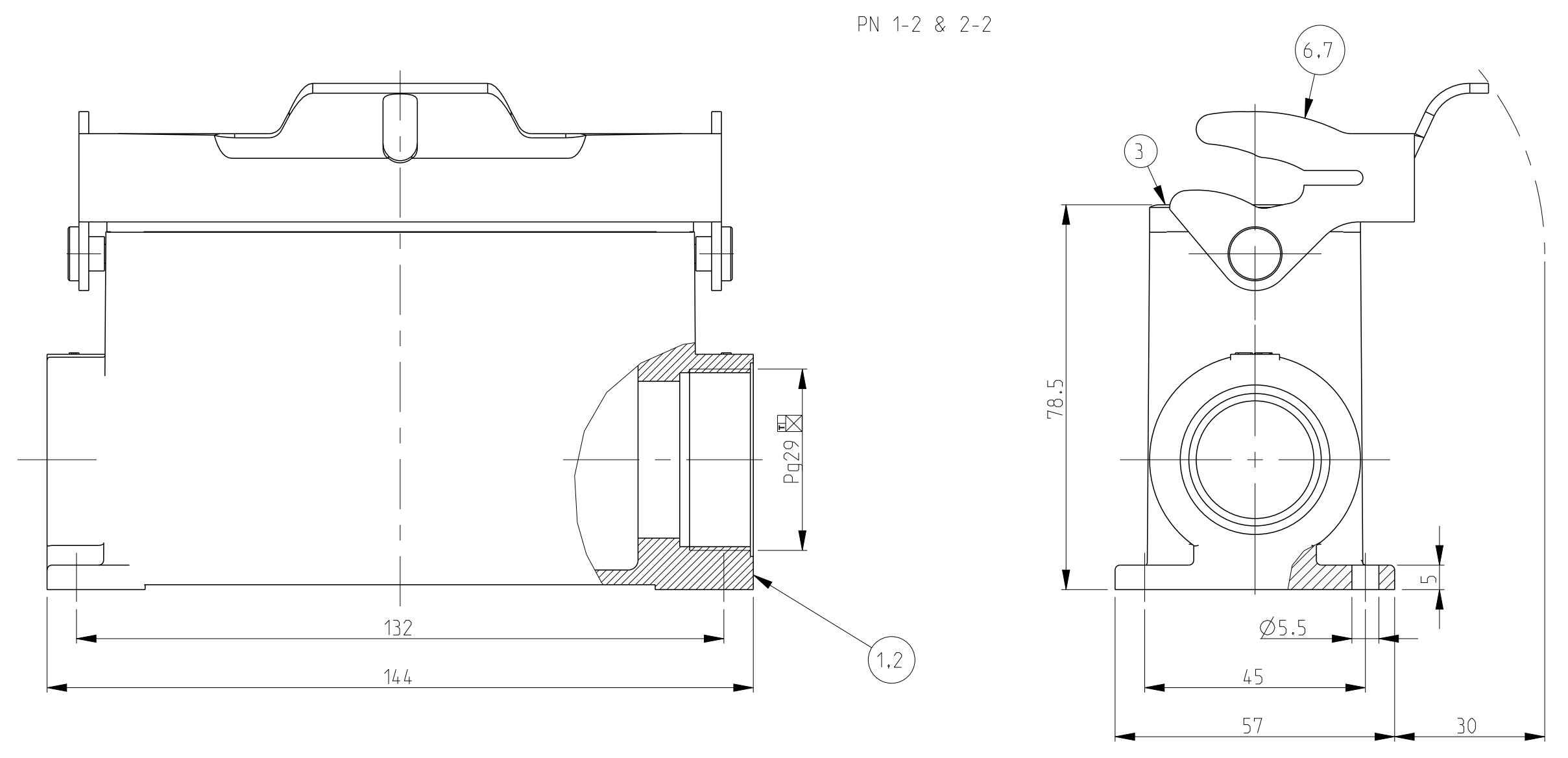
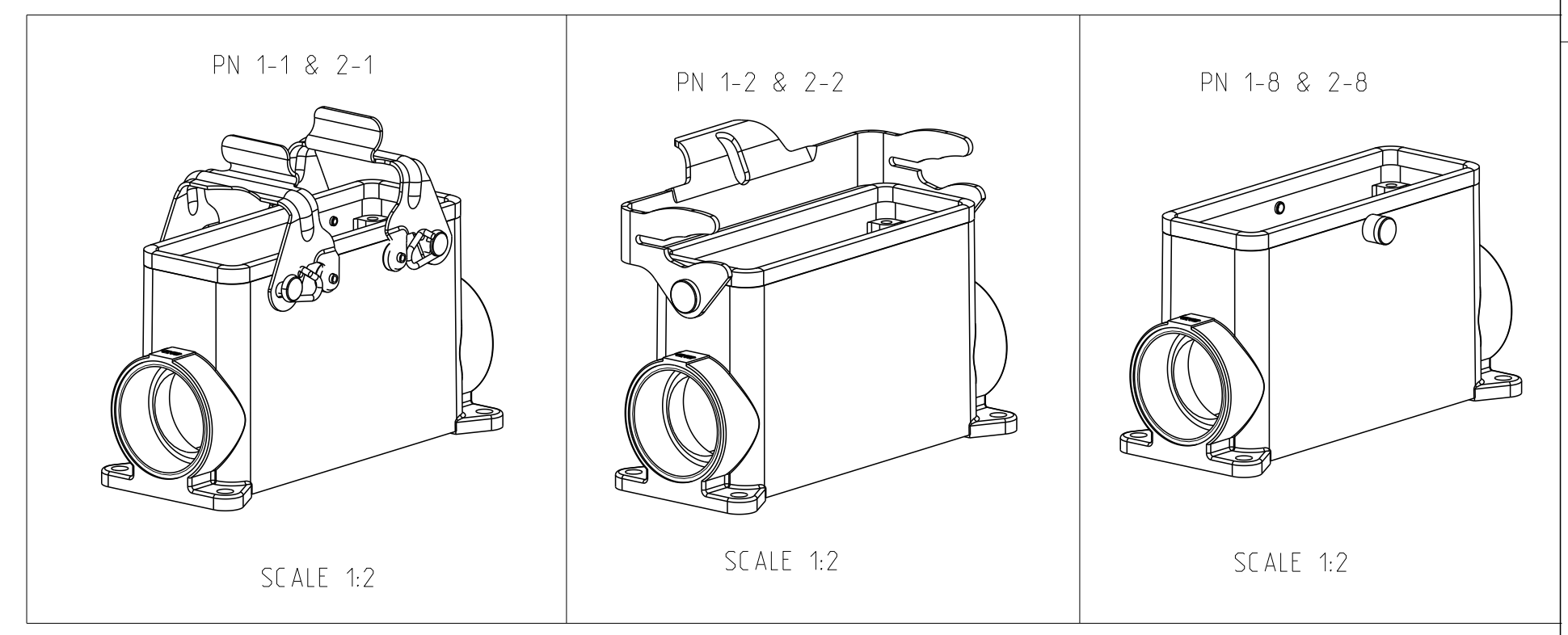


REVISIONS				
P	LTN	DESCRIPTION	DATE	DWN APVD
A2		Released as per ECR-08-017219	09.July.2008	SP TS
A3		ECR-17-014.011	27MAR2018	SG MKO



- NOTES.
- 1 Material:Housing:Aluminium Diecasting Alloy
Seals:Neoprene
 - 2 Surface:Varnish grey
-Aluminium Oxide +Zinc plated
 - 3 Varnish on the inside not necessary
 - 4 Packaging
Quantity 5 Pieces in a box



QTY	DESCRIPTION	MATERIAL	SURFACE	COLOR	ITEM NO	REMARKS
2	ZB-Clip bolt	Stainless steel			9	
2	ZB-Clip bolt	Steel	Zinc plaetd	Blue	8	
1	LB-Side Clip	Stainless steel			7	
1	LB-Side Clip	Steel	Zinc plaetd	Blue	6	
2	VS-Locking Clip	Stainless steel			5	
2	VS-Locking Clip	Steel	Zinc plaetd	Blue	4	
1	Profile seat	Neoprene		Black	3	
1	Surface mounted housing side entry HD.64.Pg.1.29	Aluminium	Aluminium oxide	Black	2	
1	Surface mounted housing side entry HD.64.Pg.1.29	Aluminium		Grey	1	

THIS DRAWING IS A CONTROLLED DOCUMENT. DWN: Schneider 30.09.03
 CHK: Schweiger 30.09.03

DIMENSIONS: mm

TOLERANCES UNLESS OTHERWISE SPECIFIED:

0	PL	±0.10
1	PLC	±0.15
2	PLC	±0.20
3	PLC	±0.30
4	PCC	±0.40

ANGLES: ±0.5°

MATERIAL: - FINISH: -

THIS DRAWING IS A CONTROLLED DOCUMENT. DWN: Schneider 30.09.03
 CHK: Schweiger 30.09.03

NAME: Surface mounted housing HD.64.1.29.Z

PRODUCT SPEC: - APPLICATION SPEC: -

SIZE: A1 CAGE CODE: 00779 DRAWING NO: 1103350

WEIGHT: -

CUSTOMER DRAWING: -

SCALE: 1:1 SHEET: 1 OF 1 REV: A3

单击下面可查看定价，库存，交付和生命周期等信息

[>>TE Connectivity\(泰科\)](#)