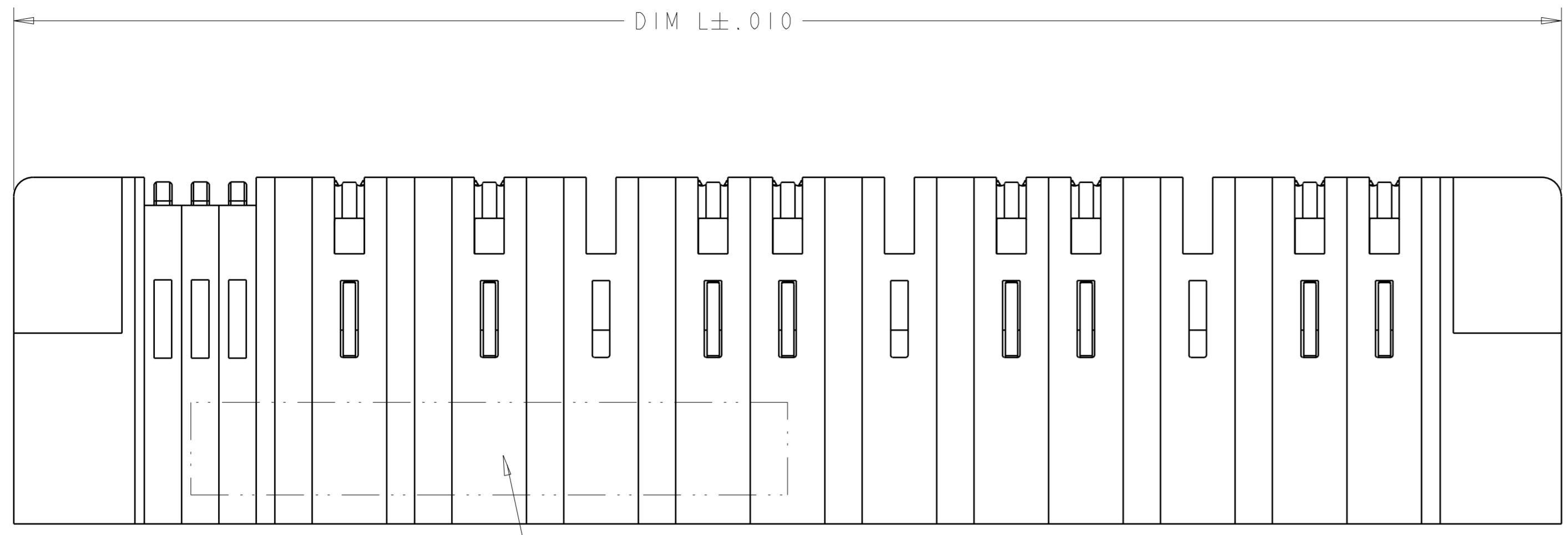
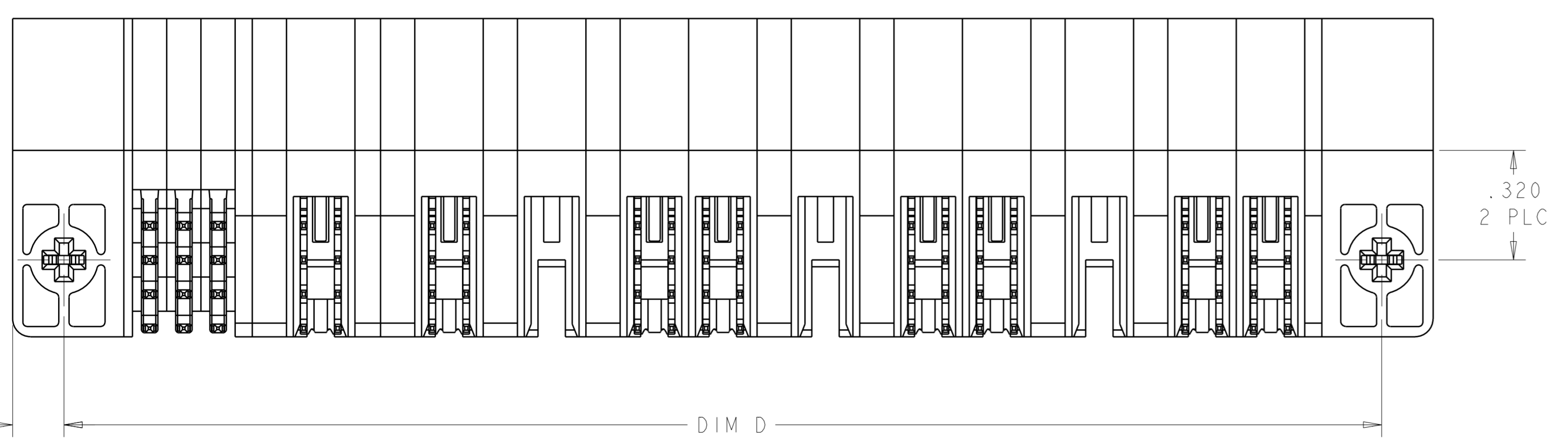
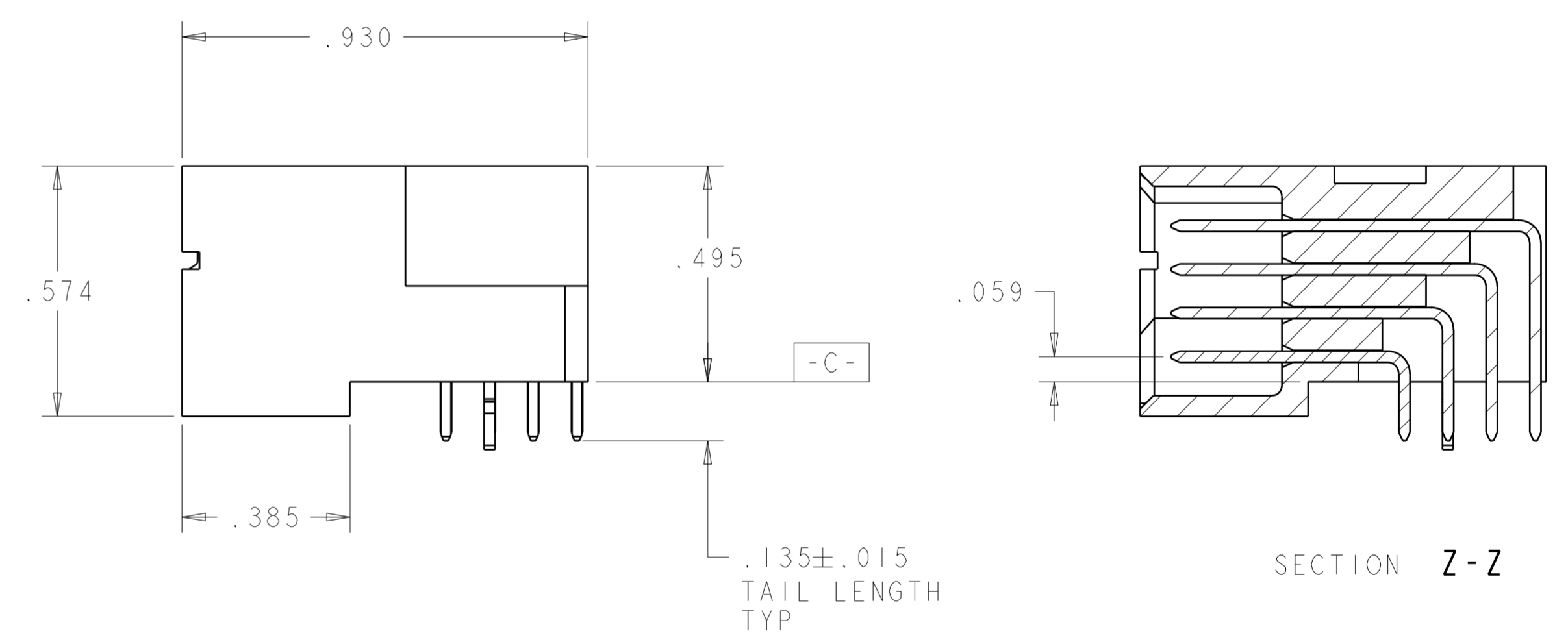
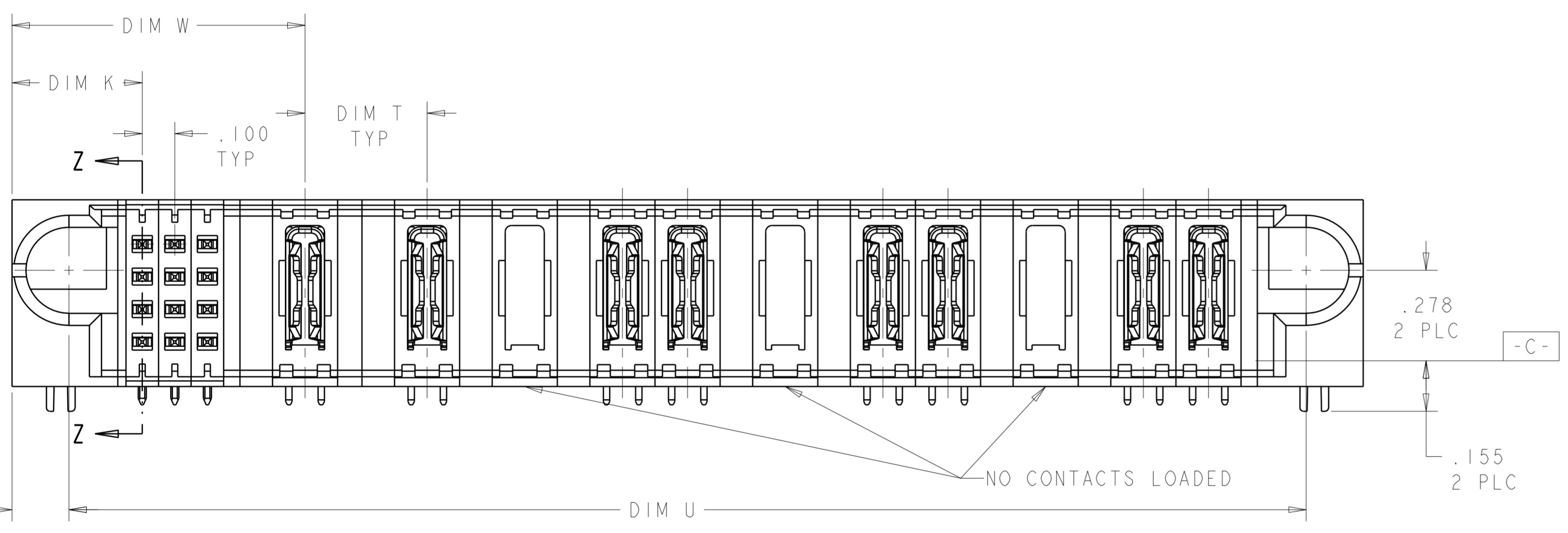


LOC	DIST	REVISIONS			
ES	00	REV	DATE	BY	CHKD
		A	09MAY2007	CZ	SY



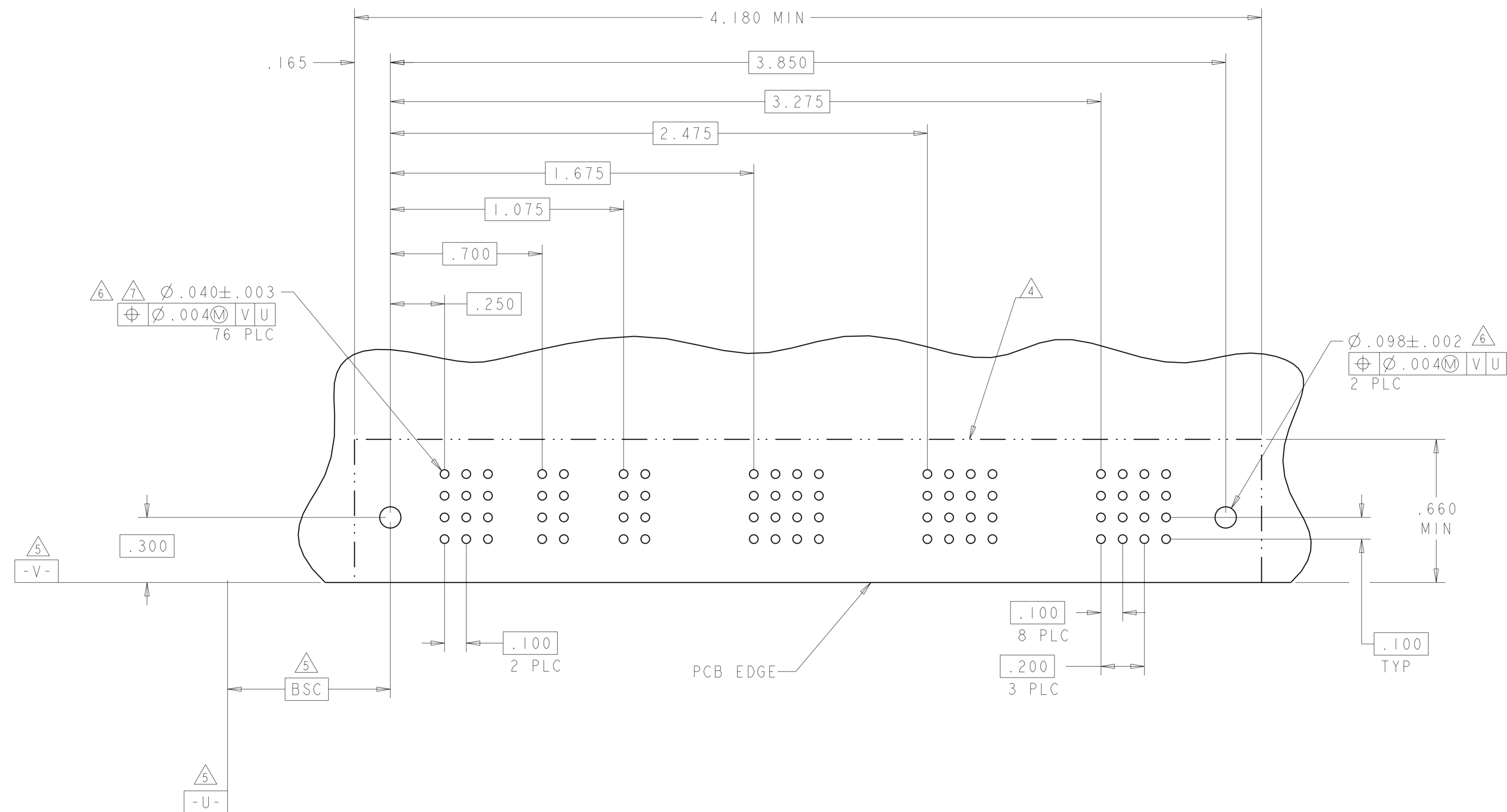
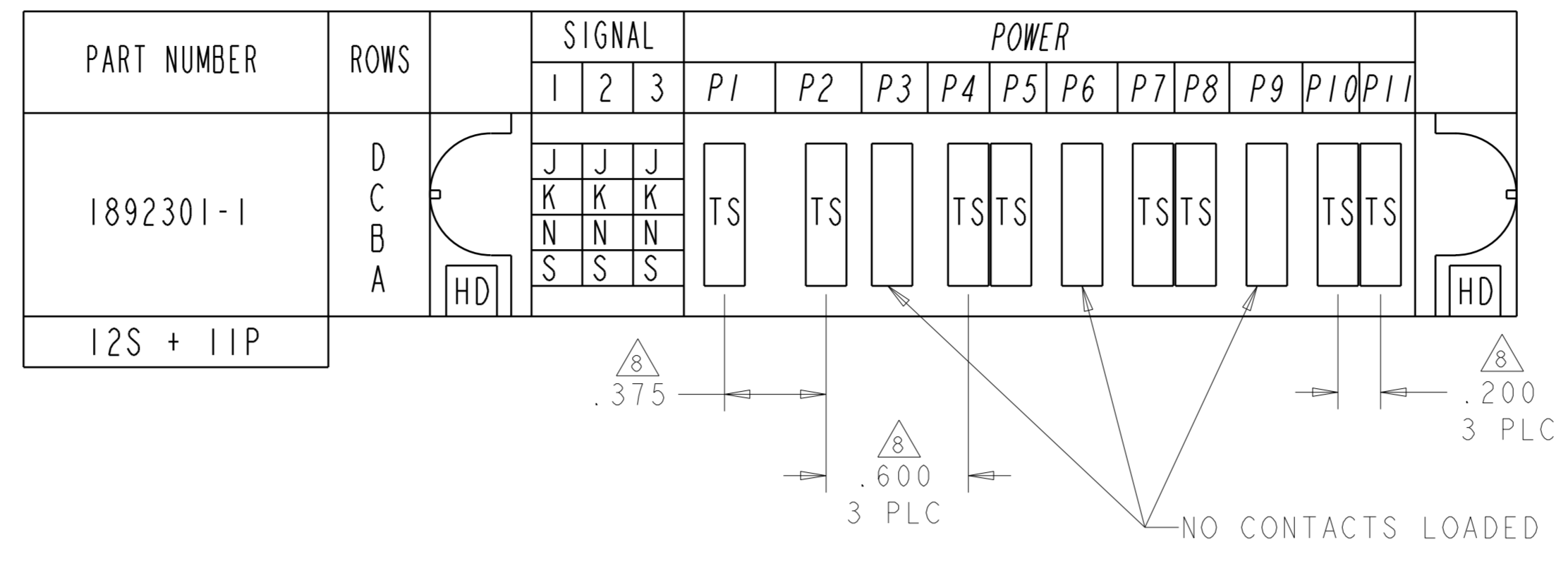
- 1 PART NUMBER, AND DATE CODE MARKED IN AREA SHOWN.
- 2 MATERIAL:
 HOUSING - GLASS FILLED HIGH TEMP THERMO PLASTIC, UL94 V-0
 SIGNAL CONTACT - COPPER ALLOY
 POWER CONTACT - HIGH CONDUCTIVITY COPPER ALLOY
- 3 CONTACT PLATING:
 SIGNAL CONTACTS - .000050 MIN Ni UNDER ALL.
 .000030 MIN Au ON CONTACT AREA.
 .000100 MIN Sn AT PCB INTERFACE.
 POWER CONTACTS - .000050 MIN Ni UNDER ALL.
 .000030 MIN Au ON CONTACT AREA.
 .000100 MIN Sn AT PCB INTERFACE.
- 4 MECHANICAL CONNECTOR KEEP OUT ZONE.
- 5 DATUM AND BASIC DIMENSIONS ESTABLISHED BY CUSTOMER.
- 6 PCB - ALL HOLE DIAMETERS ARE FINISHED HOLE SIZES.
- 7 PCB - .0453±.0010 DRILLED HOLES PLATED WITH .0003 MIN Sn OVER .001 TO .003 Cu PLATING TO ACHIEVE A .040 HOLE.
- 8 VARIABLE DIMENSION SHOW ON (SHEET 2).



-8	3.850	3.800	.900	.400	4.150	12S + 11P	1892301-1
DIM T	DIM D	DIM U	DIM W	DIM K	DIM L	DESCRIPTION	PART NUMBER

DIMENSIONS: INCHES 		TOLERANCES UNLESS OTHERWISE SPECIFIED: 0 PLC ±. 1 PLC ±.01 2 PLC ±.005 3 PLC ±.0020 4 PLC ±.0020 ANGLES ±30° FINISH		DWN C.ZHOU 09MAY2007 CHK S.YAO 09MAY2007 APVD S.YAO PRODUCT SPEC 108-1973 APPLICATION SPEC 114-13038 WEIGHT - CUSTOMER DRAWING		Tyco Electronics Incorporated Shanghai, P.R.China, 200233 NAME RIGHT ANGLE HEADER ASSEMBLY W/GUIDES AND HOT PLUG CONTACTS DUAL-BEAM XL SIZE 114-13038 SCALE 4:1 SHEET 1 OF 2 REV A	
---------------------------	--	--	--	--	--	---	--

LOC	DIST	REVISIONS			
ES	00	REV	DATE	BY	APVD
		1			
		2			
		3			
		4			
		5			
		6			
		7			
		8			
		9			
		10			



ROW	DESCRIPTION	CODE
D	SIGNAL CONTACT, STD	J
C	SIGNAL CONTACT, STD	K
B	SIGNAL CONTACT, STD	N
A	SIGNAL CONTACT, STD	S
-	POWER CONTACT, DUAL BEAM	TS

DIMENSIONS: INCHES 		TOLERANCES, UNLESS OTHERWISE SPECIFIED: 0 PLC ± 1 PLC ± 2 PLC ±.01 3 PLC ±.005 4 PLC ±.0020 ANGLES ±30°		DWG: 09MAY2007 CHK: C. ZHOU S. YAO APVD: S. YAO NAME: S. YAO PRODUCT SPEC: 108-1973 APPLICATION SPEC: 114-13038 WEIGHT: - RESTRICTED TO: -	
MATERIAL: - FINISH: -		TO: TYCO ELECTRONICS CORPORATION 114-13038 SCALE: 4:1 SHEET: 2 OF 2 REV: A		Tyco Electronics Incorporated Shanghai, P.R. China, 200233 RIGHT ANGLE HEADER ASSEMBLY W/GUIDES AND HOT PLUG CONTACTS MULTI-BEAM XL SIZE: A 00779 C=1892301	

单击下面可查看定价，库存，交付和生命周期等信息

[>>TE Connectivity\(泰科\)](#)