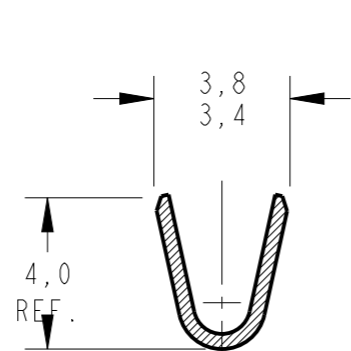
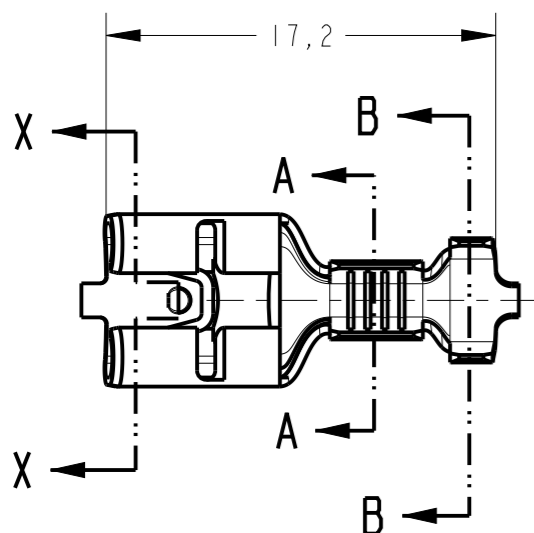


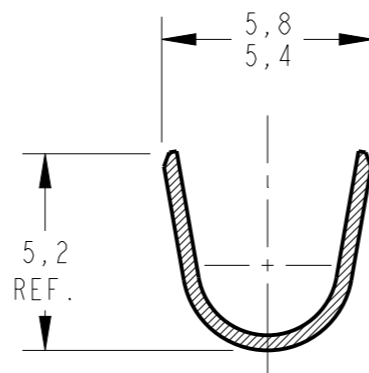
LOC AP DIST -

REVISIONS

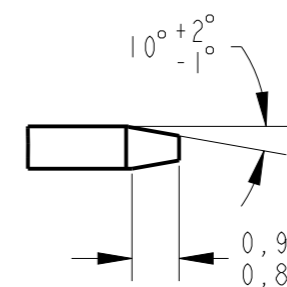
P	LTR	DESCRIPTION	DATE	DWN	APVD
D5		REV. BY ECO-18-010173	27JUNE2018	HC	WLS
D6		REVISED PER ECR-20-009164	22JULY2020	MK	DH



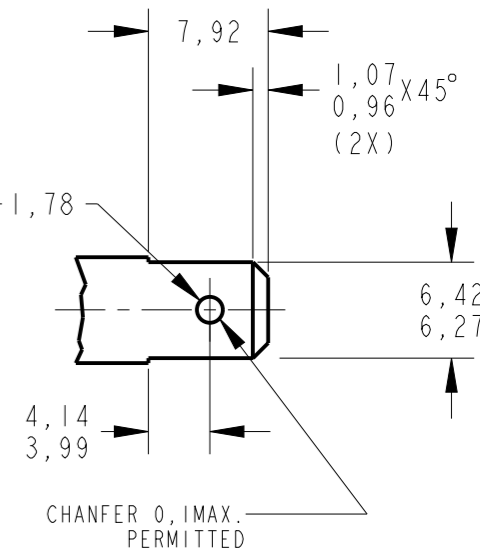
SECTION A-A SCALE 5:1



SECTION B-B SCALE 5:1

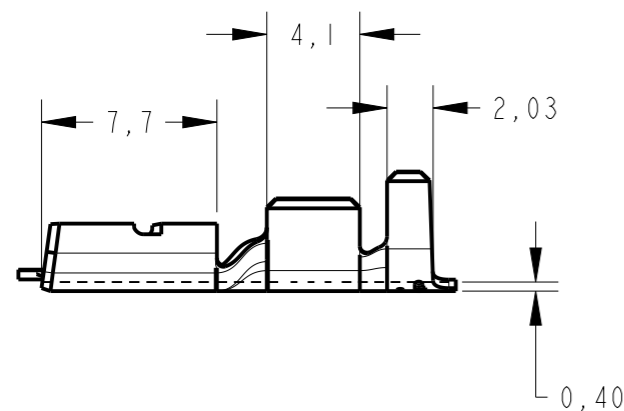
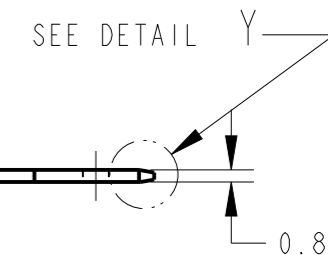


DETAIL Y SCALE 7:1

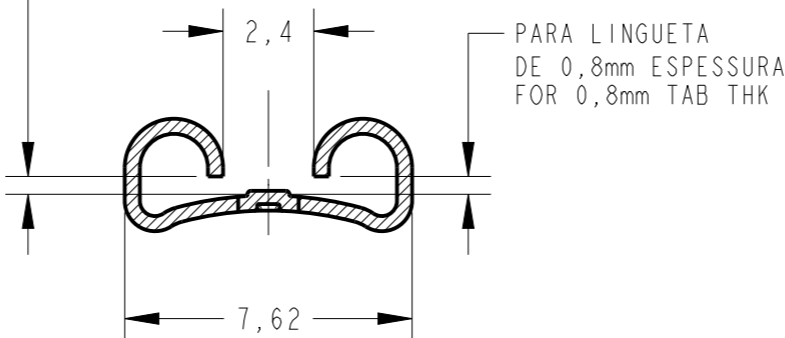


TEST TAB

BR-6-058-1 MATERIAL: AÇO RÁPIDO



GAP AS REQUIRED TO MEET FORCE SPECIFICATIONS AND 0.71 MAX



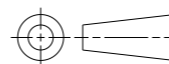
SECTION X-X SCALE 5:1

MATING TAB THK.	FINISH	MATERIAL	PART NUMBER
0.84-0.76	ESTANHADO / TIN PLATED	LATÃO / BRASS	444335 -4
0.84-0.76	—	LATÃO / BRASS	444335 -3
0.84-0.76	ESTANHADO / TIN PLATED	LATÃO / BRASS	444335 -2
0.84-0.76	—	LATÃO / BRASS	444335 -1

INS. RANGE	WIRE RANGE
∅ 3,0-4,3mm	1,0-2,5mm ²

THIS DRAWING IS A CONTROLLED DOCUMENT.

DIMENSIONS: mm



TOLERANCES UNLESS OTHERWISE SPECIFIED:

0 PLC	±0,3
1 PLC	±0,3
2 PLC	±0,3
3 PLC	±0,3
4 PLC	±0,3
ANGLES	±1°

MATERIAL - FINISH -

DWN NCLAPRESA 12JUL2012
 CHK JRGOLDSCHMIDT 12JUL2012
 APVD DAOLIVEIRA 12JUL2012

PRODUCT SPEC 108-37034
 APPLICATION SPEC -

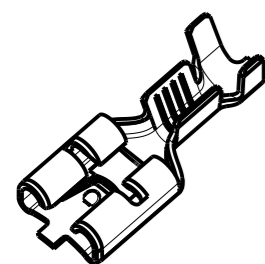
WEIGHT -



TERMINAL FASTON 6,35 RECEPT

SIZE	CAGE CODE	DRAWING NO	RESTRICTED TO
A3	00779	444335	-

Customer Drawing SCALE 3:1 SHEET 1 OF 1 REV D6



PERSPECTIVE VIEW SCALE 2:1

PART NUMBER	1° INSERÇÃO MÁX. (N)	1° EXTRAÇÃO MÍN. (N)	10° EXTRAÇÃO MÍN. (N)
444335 -1	40	50	20
444335 -2	40	50	20
444335 -3	40	70	20
444335 -4	40	70	20

单击下面可查看定价，库存，交付和生命周期等信息

[>>TE Connectivity\(泰科\)](#)