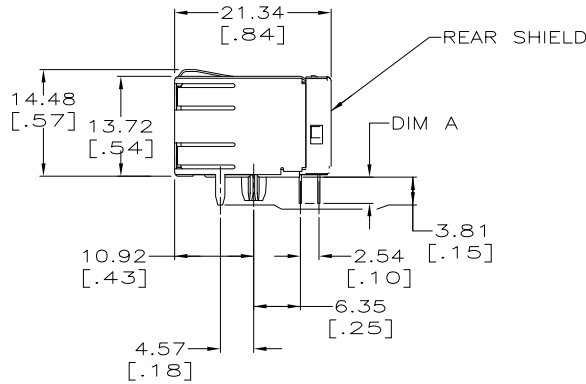
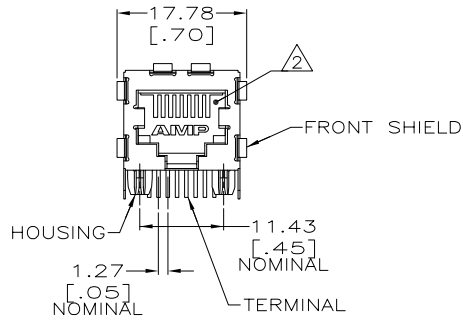
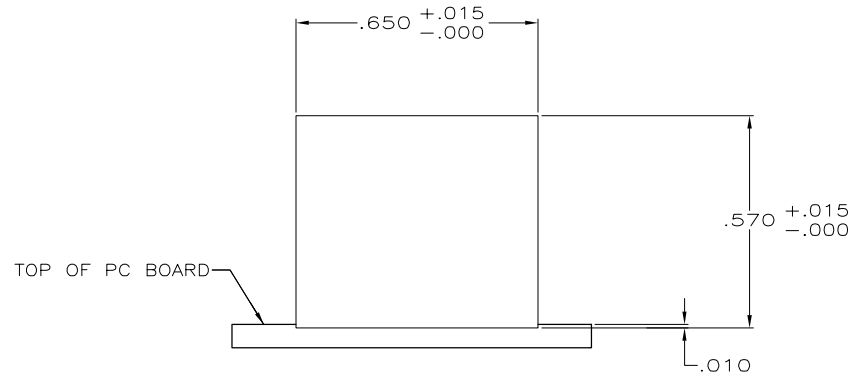
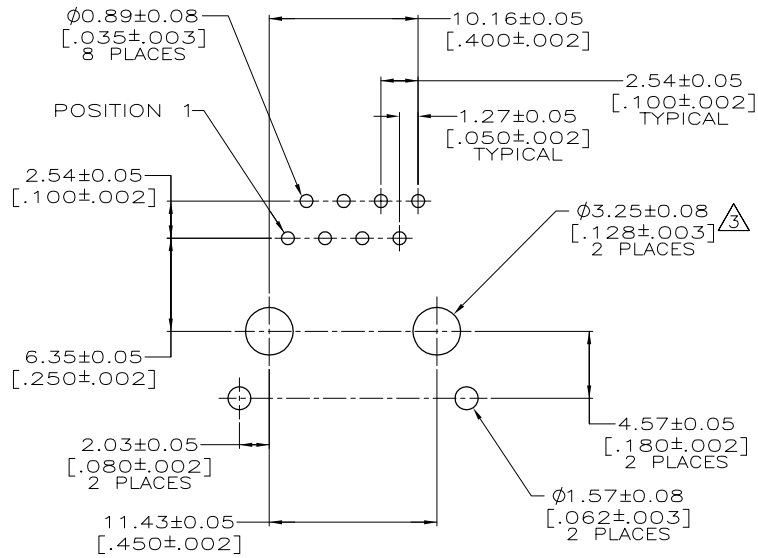


THIS DRAWING IS UNPUBLISHED. RELEASED FOR PUBLICATION
 © COPYRIGHT BY TYCO ELECTRONICS CORPORATION. ALL RIGHTS RESERVED.

LOC	DIST	REVISIONS					
AA	22	P	LTR	DESCRIPTION	DATE	DWN	APVD
		A1		REV PER ECR-09-004284	16APR2009	TY	SY



- △ MATERIAL: HOUSING - NYLON, BLACK, IR REFLOW COMPATIBLE, UL 94V-0.
 TERMINALS - 0.33[.013] THICK PHOS BRONZE PLATED WITH 1.27µm[.000050] MINIMUM THICK HARD GOLD IN LOCALIZED AREA AND 3.81µm [.000150] MINIMUM THICK MATTE TIN IN SOLDER AREA OVER 1.27µm[.000050] MINIMUM THICK NICKEL UNDERPLATE.
 SHIELDS - 0.25[.010] THICK COPPER ALLOY PLATED WITH 1.27µm[.000050] MINIMUM NICKEL AND 2.03 µm[.000080] MINIMUM HOT TIN DIP ON PCB GROUND TABS.
- △ JACK CAVITY CONFORMS TO FCC RULES AND REGULATIONS, PART 68 SUBPART F.
- △ USE #30 DRILL BIT OR 3.25mm DRILL BIT WHEN PRODUCING THESE PCB HOLES.



SUGGESTED PANEL CUTOUT
 SCALE 4:1

SUGGESTED PC BOARD LAYOUT
 COMPONENT SIDE (TOP)
 SCALE 4:1

2.54 [.100]	5406216-2
3.56 [.140]	5406216-1
DIM A	PART NUMBER

THIS DRAWING IS A CONTROLLED DOCUMENT.		DWN J. ALCORTA - 06JUN2005	06JUN2005	Tyco Electronics Corporation Harrisburg, PA 17105-3608	
DIMENSIONS: mm[inches]		CHK J. WESTMAN	06JUN2005	Tyco Electronics	
TOLERANCES UNLESS OTHERWISE SPECIFIED:		APVD S. FLICKINGER	06JUN2005	NAME	
0 PLC ± -		PRODUCT SPEC		MODULAR JACK ASSEMBLY, SINGLE PORT, 8 POSITION, SHIELDED,	
1 PLC ± -		108-1163		REVERSE PANEL GROUND TABS, CATEGORY 4	
2 PLC ± 0.25[.01]		APPLICATION SPEC		SIZE	
3 PLC ± 0.13[.005]		114-2048		CAGE CODE	
4 PLC ± -		ANGLES		DRAWING NO	
MATERIAL		WEIGHT		RESTRICTED TO	
FINISH		CUSTOMER DRAWING		SCALE	
△		△		A2 00779 C=5406216	
		SCALE		SHEET	
		2:1		1 OF 1	
				REV	
				A1	

单击下面可查看定价，库存，交付和生命周期等信息

[>>TE Connectivity\(泰科\)](#)