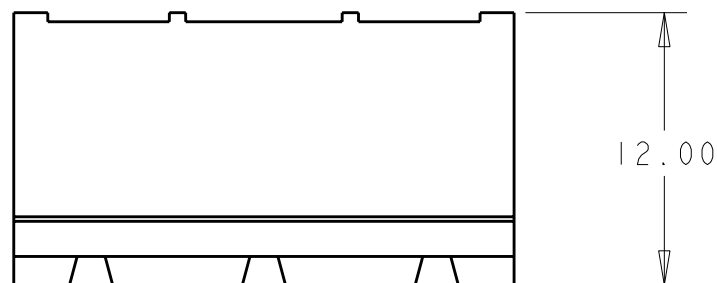
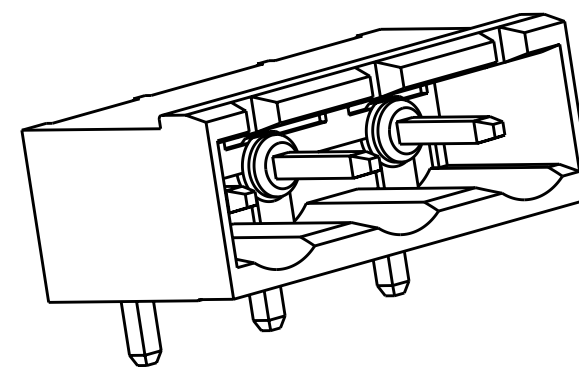
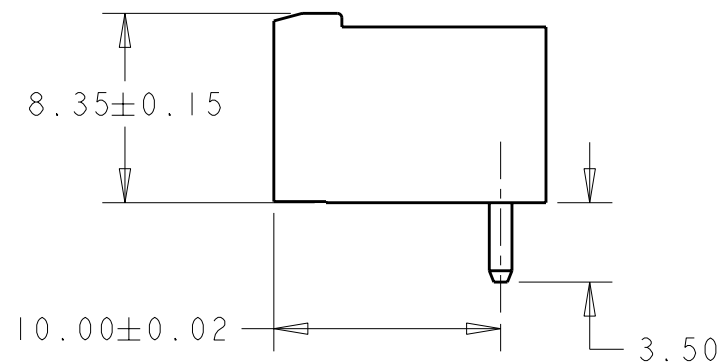
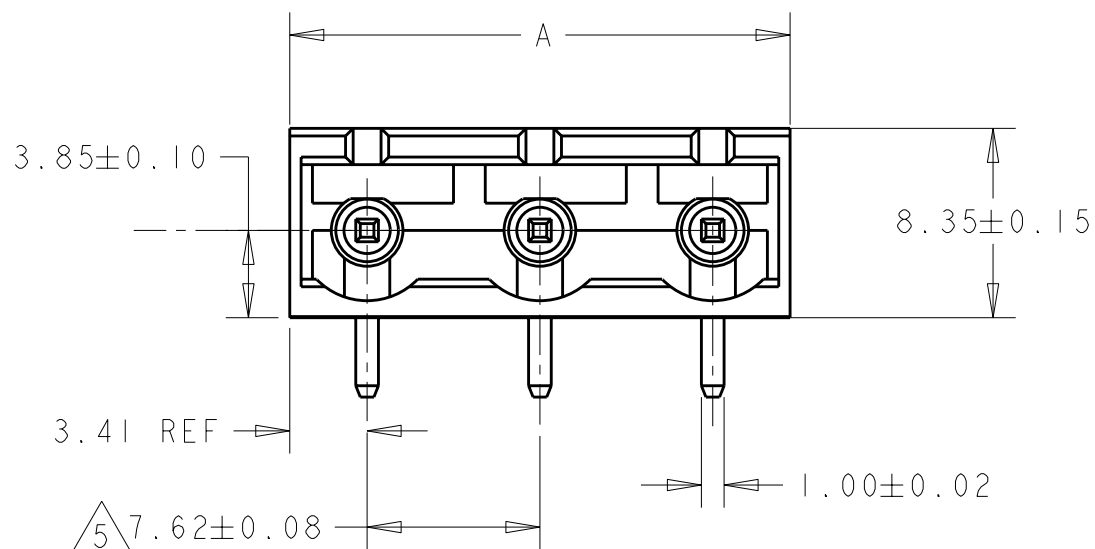


| LOC | DIST | REVISIONS | | | |
|-----|------|-------------|---------------------------|-----------|-------|
| P | LTR | DESCRIPTION | DATE | DWN | APVD |
| FT | 0 | D1 | REVISED PER ECO-12-007964 | 02MAY2012 | KH MS |

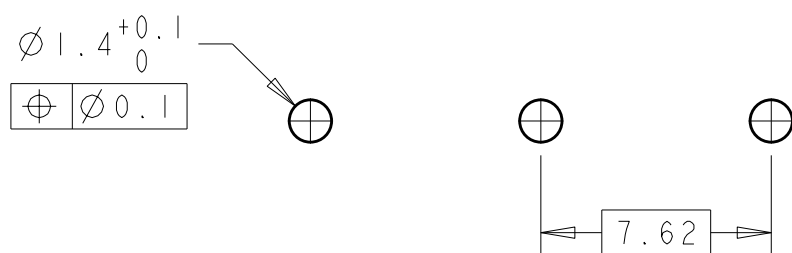


- 1 MATERIALS AND FINISH
HOUSING: PA 6-6, UL 94-V0, COLOR GREEN.
TERMINAL: COPPER ALLOY, TIN PLATED.
- 2 SUITABLE FOR 1,6-2,4mm PC BOARD THICKNESS.
- 3 RECOGNIZED UNDER THE COMPONENT PROGRAM OF UNDERWRITERS LABORATORIES INC., FILE N° E60677.
- 4 IMQ CERTIFICATE WITH SURVEILLANCE IN CONFORMITY WITH IEC 998-1/998-2-1.
- 5 NOT CUMULATIVE TOLERANCE.
- 6 30 MICRO INCH GOLD PLATING MATING AREA OF PIN



282966-3 AS SHOWN

| 6 | 60.16 | 8 | 3-282966-8 |
|--------|------------|-------------|------------|
| 6 | 44.92 | 6 | 3-282966-6 |
| | 90.64 | 12 | 1-282966-2 |
| | 83.02 | 11 | 1-282966-1 |
| | 75.40 | 10 | 1-282966-0 |
| | 67.78 | 9 | 282966-9 |
| | 60.16 | 8 | 282966-8 |
| | 52.54 | 7 | 282966-7 |
| | 44.92 | 6 | 282966-6 |
| | 37.30 | 5 | 282966-5 |
| | 29.68 | 4 | 282966-4 |
| | 22.06 | 3 | 282966-3 |
| | 14.44 | 2 | 282966-2 |
| DIM. A | N° OF POS. | PART NUMBER | |



RECOMMENDED PC BOARD LAYOUT

| | | | | | |
|--|--|-----------------------------|--|--------------------------------|--|
| THIS DRAWING IS A CONTROLLED DOCUMENT. | | DWN E. ZANOLINI 18JUL2001 | | TE Connectivity | |
| DIMENSIONS: mm | | CHK D. BIEVENOUR 18JUL2001 | | | |
| TOLERANCES UNLESS OTHERWISE SPECIFIED: | | APVD D. BIEVENOUR 18JUL2001 | | NAME | |
| 0 PLC ±- | | PRODUCT SPEC | | TERMINAL BLOCK HEADER ASSEMBLY | |
| 1 PLC ±0.2 | | 108-20166 | | 90 DEGREE CLOSED ENDS | |
| 2 PLC ±0.25 | | APPLICATION SPEC | | 7.62 mm PITCH | |
| 3 PLC ±- | | 114-20079 | | SIZE | |
| 4 PLC ±- | | WEIGHT - | | CAGE CODE | |
| ANGLES ±2 | | CUSTOMER DRAWING | | DRAWING NO | |
| MATERIAL | | FINISH | | RESTRICTED TO | |
| 1 | | 1 | | A300779 C-282966 | |
| 1 | | 1 | | SCALE NTS SHEET 1 OF 1 REV D1 | |

单击下面可查看定价，库存，交付和生命周期等信息

[>>TE Connectivity\(泰科\)](#)