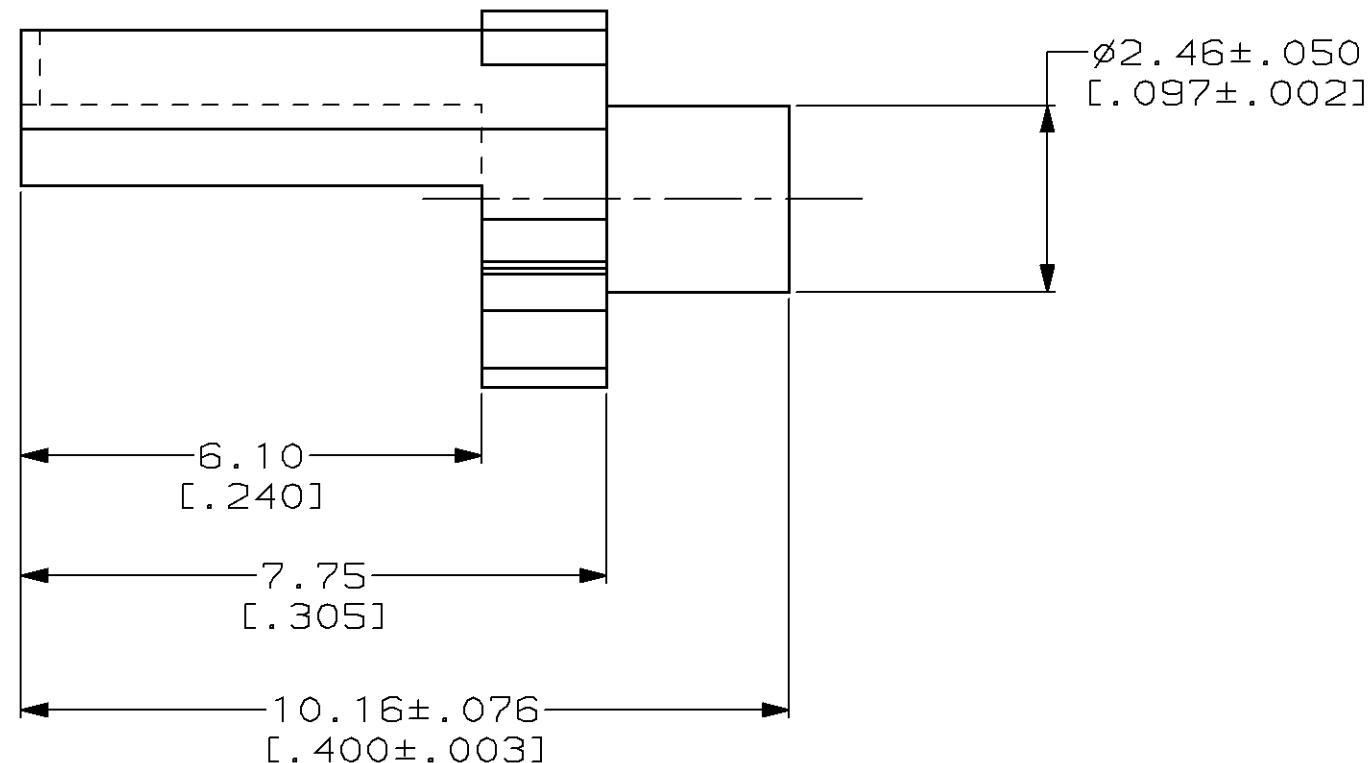
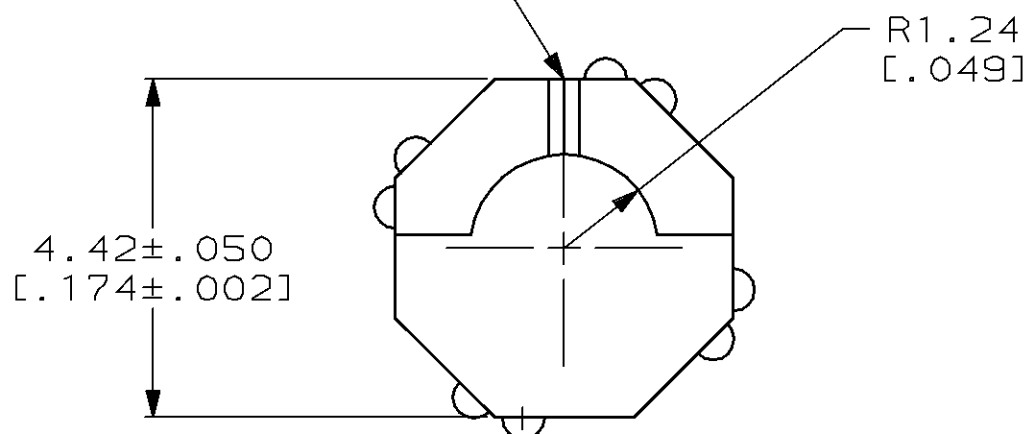


THIS DRAWING IS UNPUBLISHED. RELEASED FOR PUBLICATION, 19 .
 © COPYRIGHT 19 BY AMP INCORPORATED. ALL RIGHTS RESERVED.

LOC	DIST	REVISIONS			
P	LTR	DESCRIPTION	DATE	DWN	APVD
AD	25				
	A	REDRAWN PER ECN 1567-95	11-8-95	SH	DLH
	B	PER EC 0059-96	11-8-95	TS	JW

LOCATION INDICATOR



1 POLYESTER, COLOR: NATURAL.

THIS DRAWING IS A CONTROLLED DOCUMENT FOR AMP INCORPORATED. IT IS SUBJECT TO CHANGE AND THE CONTROLLING ENGINEERING ORGANIZATION SHOULD BE CONTACTED FOR THE LATEST REVISION.		DWN S. HAMPTON 11-8-95	AMP Incorporated Harrisburg, PA 17105-3608	
DIMENSIONS, mm [INCHES]		CHK D.L. HOFFMAN 11-8-95	H.D.I. EXTERNAL KEY, INTERFERENCE FIT	
TOLERANCES UNLESS OTHERWISE SPECIFIED:		APVD -	NAME	
0 PLC ±-		PRODUCT SPEC -	SIZE	
1 PLC ±-		APPLICATION SPEC -	CAGE CODE	
2 PLC ±-		WEIGHT -	DRAWING NO	
3 PLC ±0.13 [.005]		CUSTOMER DRAWING	A3 00779 C- 533874	
4 PLC ±-			SCALE 10:1	SHEET 1 OF 1
MATERIAL 1				
FINISH -				

单击下面可查看定价，库存，交付和生命周期等信息

[>>TE Connectivity\(泰科\)](#)