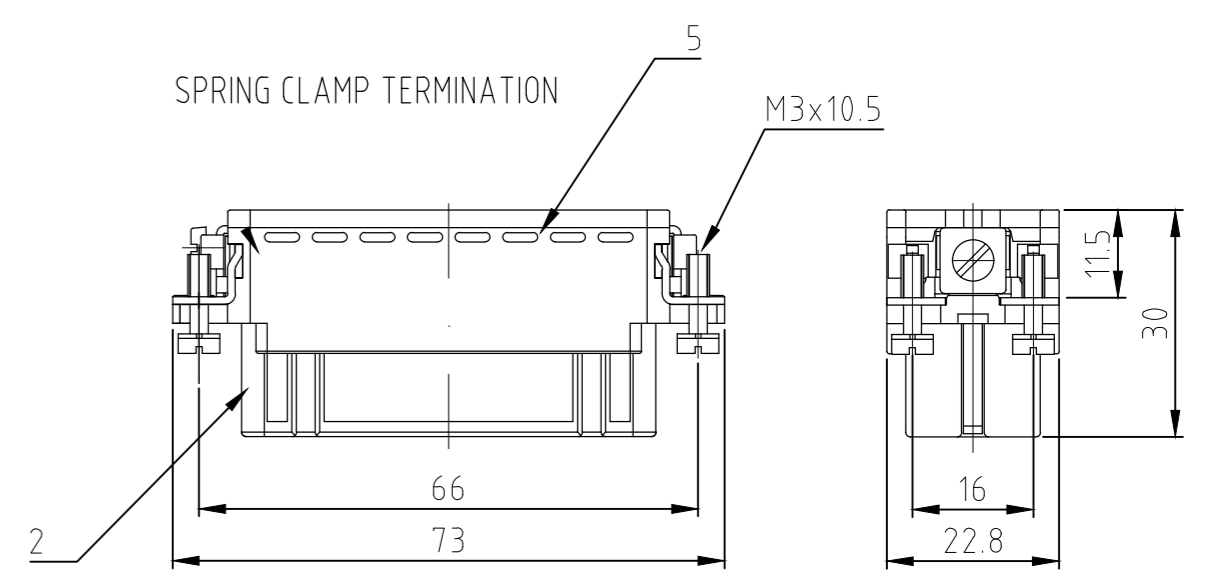
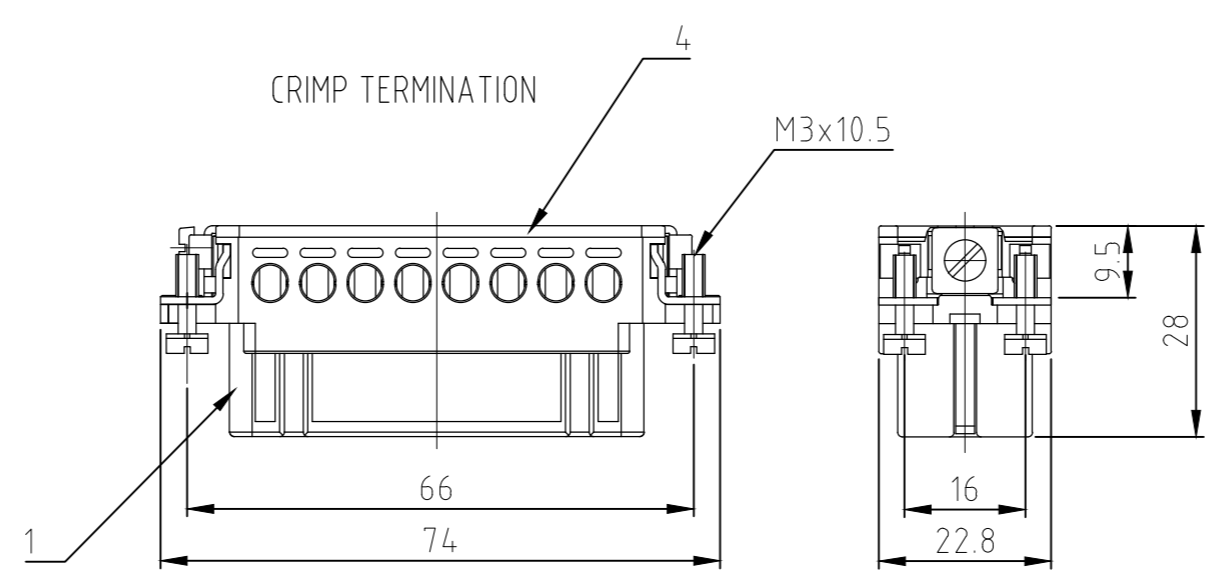
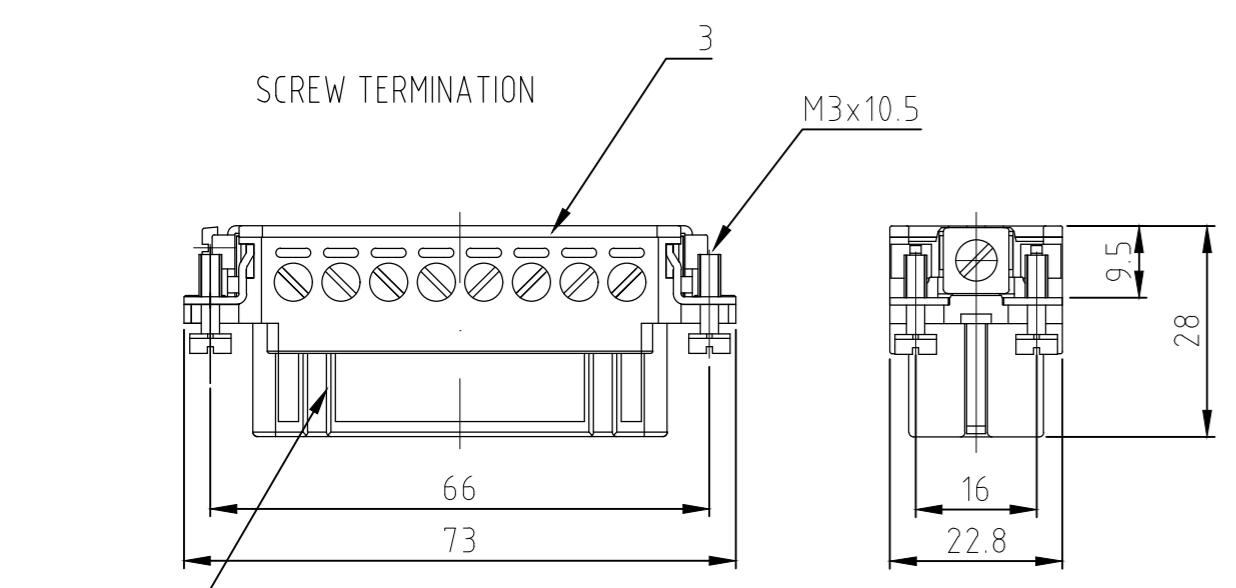


THIS DRAWING IS UNPUBLISHED.  
 VERTRÄULICHE UNVERÖFFENTLICHTE ZEICHNUNG

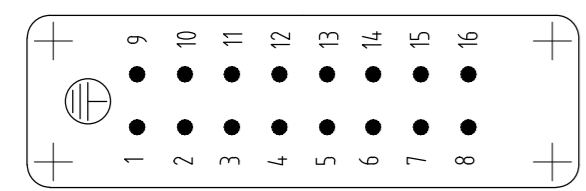
RELEASED FOR PUBLICATION  
 FREI FUER VERÖFFENTLICHUNG

MATED WITH:  
 PASSEND ZU:  
 HA 16

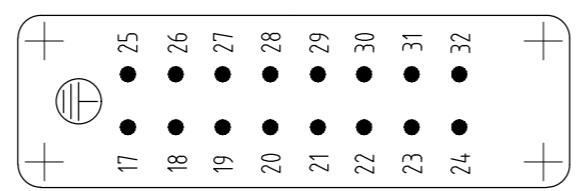
REVISIONS ÄNDERUNGEN					
P	LTR	DESCRIPTION BESCHREIBUNG	DATE	DWN	APVD
	D6	REVISED PER ECR-17-014011	27MAR18	NG	MKO



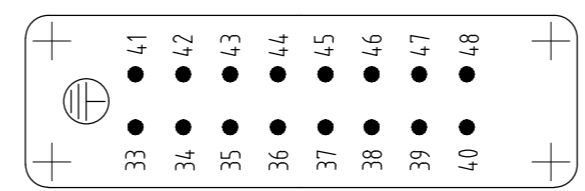
Contact arrangement / view from termination side



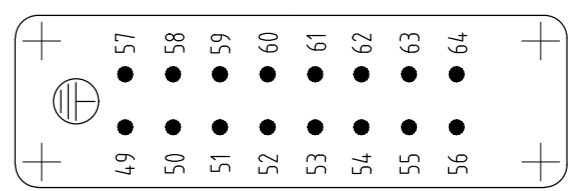
Contact arrangement / view from termination side



Contact arrangement / view from termination side



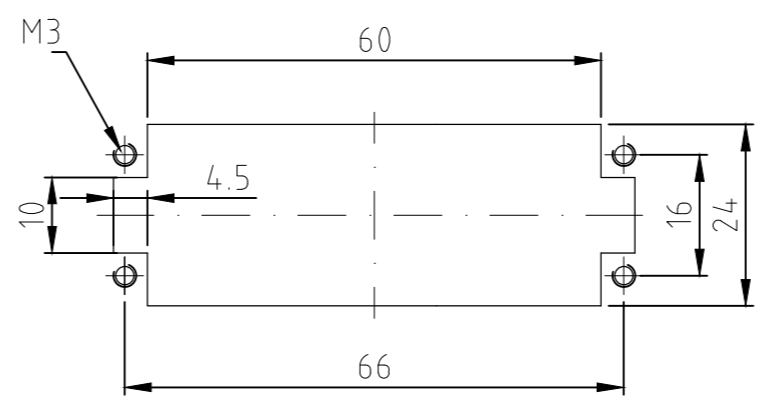
Contact arrangement / view from termination side



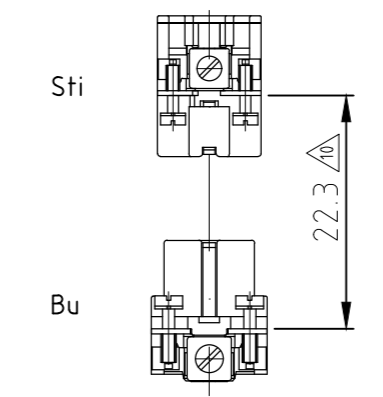
- NOTES:**
- 1 SUITABLE CRIMP CONTACTS: SERIES HE/HA  
 OUTER DIMENSIONS OF INSULATION: MAX. Ø3,2 MM
  - 2 SUITABLE HOOD SIZE 5; 7; 9; 11: SERIES HA; HD  
 SUITABLE INSERTION AND EXTRACTION TOOL:  
 SCREWDRIVER 0,5x3 DIN 5264
  - 3 Strip lenght: Screw conection 10mm  
 Spring clamp conection 10mm Crimp conection 7,5mm
  - 4 STANDARDS:  
 DIN EN 61984; DIN EN 60664-1

- △ PACKAGING:  
 5 SETS IN A CARTON, PRE-MOUNTED
- △ SPECIAL PACKAGING: Krauss-Maffei  
 PACKAGING UNIT: 300 PIECES
- △ SPECIAL PACKAGING: Krauss-Maffei  
 PACKAGING UNIT: 150 PIECES
- △ SPECIAL PACKAGING: AIS  
 PACKAGING UNIT: 250 PIECES
- △ SPECIAL PACKAGING: WIELAND  
 PACKAGING UNIT: 100 PIECES

Panel cut-out for contact insert when used without housing



Assembling instruction



△ DISTANCE FOR SAFETY  
 CONTACT MARKING MAX. 24 mm

OBSOLETE	OBSOLETE	OBSOLETE	OBSOLETE	OBSOLETE	OBSOLETE	OBSOLETE	OBSOLETE	OBSOLETE	OBSOLETE	OBSOLETE	OBSOLETE	OBSOLETE	OBSOLETE	OBSOLETE	OBSOLETE	
			1													
				1			1									
						1				1						
1	1	1	1	1	1	1	1	1	1	1	1	1	1	1	1	1
1	1	1	1													
1-3	1-2	1-0	0-7	0-4	0-6	0-5	2-9	1-9	7-9	7-8	1-8	2-8	1-7	7-2	7-1	2-3
1-1	1-1	1-1	1-1	1-1	1-1	1-1	1-1	1-1	1-1	1-1	1-1	1-1	1-1	1-1	1-1	1-1

DESCRIPTION / BENENNUNG	MATERIAL	COLOR / FARBE	ITEM NO. POS.	REMARKS / BEMERKUNGEN
Socket insert screw	PBT	light beige	8	with stainless steel-fixing screw
Socket insert screw	PBT	light beige	7	with stainless steel-fixing screw
Socket insert screw	PBT	light beige	6	with AU contact
Cover	PBT	light beige	5	
Cover	PBT	light beige	4	
Cover	PBT	light beige	3	
Socket insert spring clamp	PBT	light beige	2	
Socket insert crimp screw	PBT	light beige	1	

THIS DRAWING IS A CONTROLLED DOCUMENT. DIESE ZEICHNUNG IST EIN KONTROLLIERTES DOCUMENT. DIMENSIONS: MASSENGHEITEN mm TOLERANCES, UNLESS OTHERWISE SPECIFIED: ALLGEMEINTOLERANZEN	DWN 09.02.2000 Schneider CHK 09.02.2000 Schweiger APVD - NAME - PRODUCT SPEC 108-74007 APPLICATION SPEC 114-74009 MATERIAL - FINISH/OBERFLAECHEN/FARBE -	0 PLC ±0.1 1 PLC ±0.1 2 PLC ±0.1 3 PLC ±0.1 4 PLC ±0.1 ANGLES/WINKEL ±-	PRODUCT SPEC 108-74007 APPLICATION SPEC 114-74009 SCALE MASSSTAB 1:1 SHEET BLATT 1 OF 1 REV D6	
ORDERING TEXT / BESTELLTEXT HA.16.Bu.S.B1-16.WIE HA.16.Bu.S.B1-16.AIS HA.16.Bu.S.B17-32.KM HA.16.Bu.S.B1-16.KM HA.16.Bu.S-VA-B 1-16 HA.16.Bu.S-VA-B 17-32 HA.16.Bu.S-AU-B 1-16 HA.16.Bu.C.B 49-64 HA.16.Bu.S.B 49-64 HA.16.Bu.S.C.B 49-64 HA.16.Bu.S.C.B 33-48 HA.16.Bu.S.B 33-48 HA.16.Bu.C.B 33-48 HA.16.Bu.S.B 17-32 HA.16.Bu.S.C.B 17-32 HA.16.Bu.C.B 17-32 HA.16.Bu.S.C.B 1-16 HA.16.Bu.C.B 1-16 HA.16.Bu.S.B 1-16		DWG: 1103417 NAME: Female insert HA.16.BU.C/S SIZE: A2 CAGE CODE: 00779 DRAWING NO.: 1103417 RESTRICTED TO NUR FUER CUSTOMER DRAWING / KUNDENZEICHNUNG		

1103417

单击下面可查看定价，库存，交付和生命周期等信息

[>>TE Connectivity\(泰科\)](#)