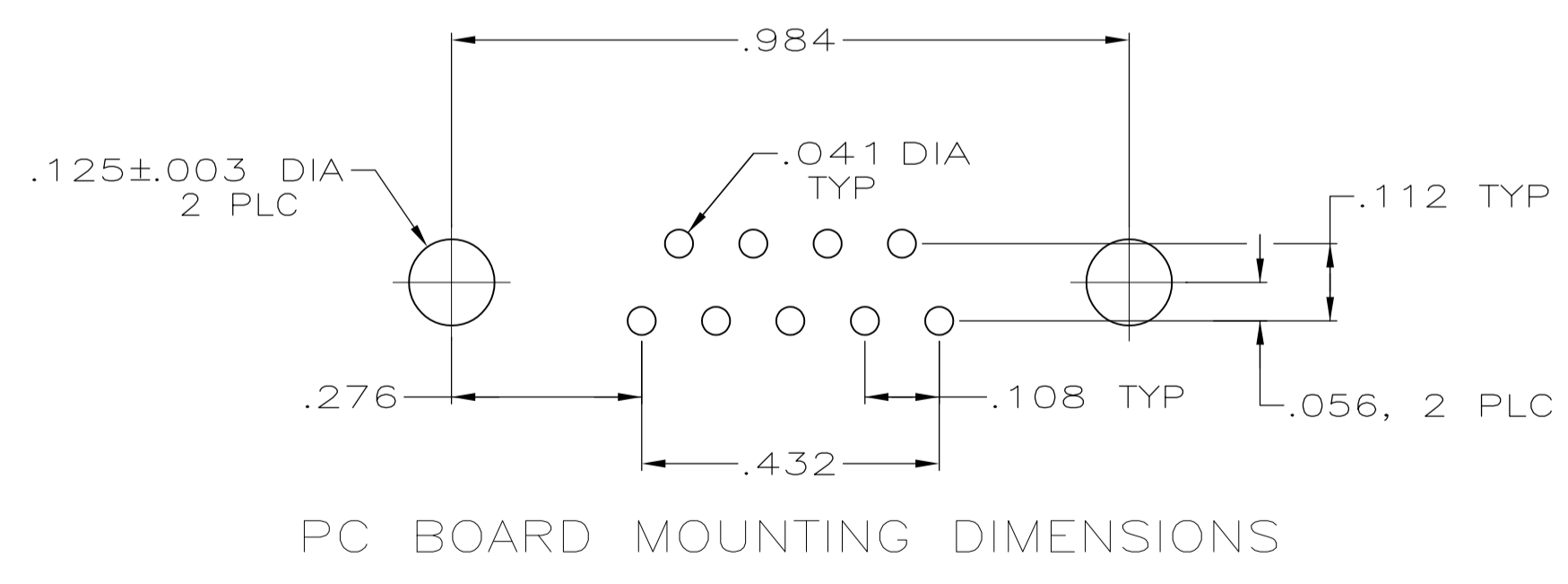
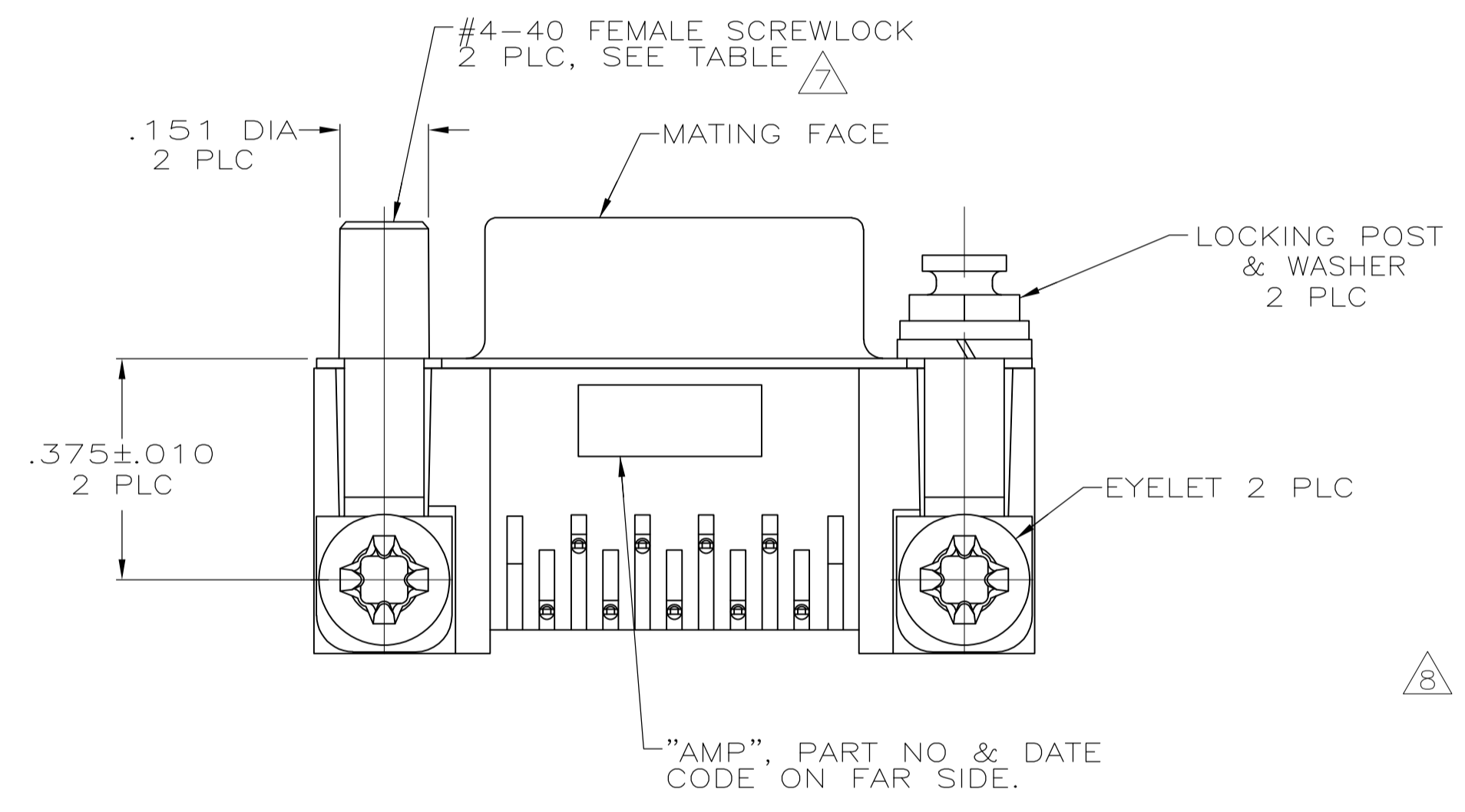
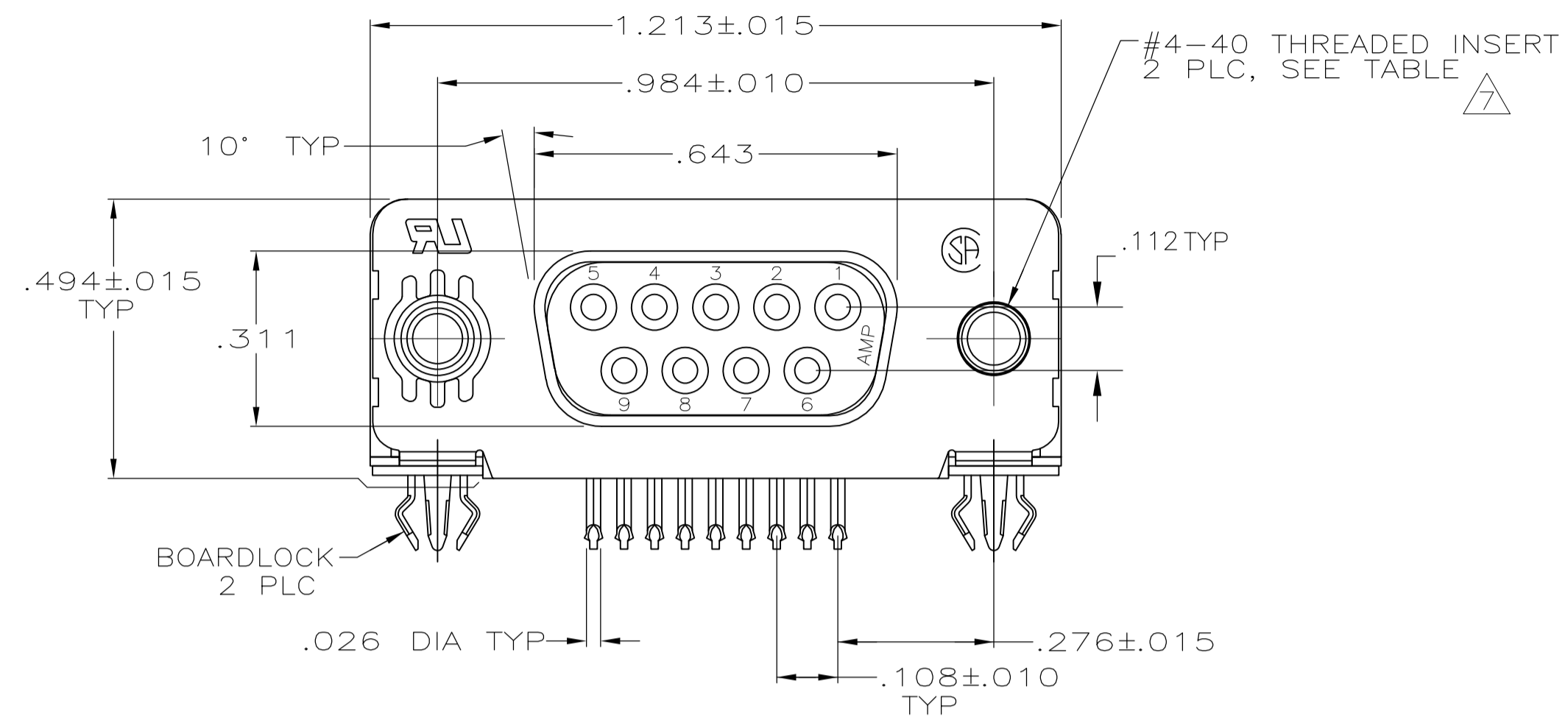


LOC		DIST		REVISIONS			
GP	00	REV	DATE	BY	CHK	APPV	
U2	REVISED PER ECO-11-004835		11MAR11	RK	HMR		



1. CONNECTOR MATES WITH ANY 9 POSN PLUG IN AMPLIMITE™ SERIES.
2. MOLDED PARTS: FLAME RETARDANT 94V-0 RATED THERMOPLASTIC, BLACK.
SHELL: STEEL PER ASTM A109
CONTACTS: PHOSPHOR BRONZE PER QQ-B-750
EYELETS: BRASS
SCREWLOCKS: ZINC
INSERTS: ZINC
BOARDLOCKS: COPPER ALLOY
3. SHELL: .000100 MIN TIN OR TIN-LEAD
CONTACTS: SEE TABLE
EYELETS: TIN
SCREWLOCKS: CLEAR CHROMATE
BOARDLOCKS: SEE TABLE
INSERTS: CLEAR CHROMATE
4. GOLD PLATING PER MIL-G-45204, NICKEL PLATING PER QQ-N-290, TIN PLATING PER MIL-T-10727.
5. GOLD FLASH FOR A DISTANCE OF .100 MIN FROM MATING END, .000100-.000200 BRIGHT TIN OR BRIGHT TIN-LEAD ON TERMINATION END, ALL OVER .000050 NICKEL ON ENTIRE CONTACT.
6. .000030 GOLD FOR A DISTANCE OF .100 MIN FROM MATING END, .000100-.000200 BRIGHT TIN OR BRIGHT TIN-LEAD ON TERMINATION END, ALL OVER .000050 NICKEL ON ENTIRE CONTACT.
7. SCREWLOCKS & INSERTS WILL WITHSTAND 4 IN LBS TORQUE & 20 LBS PULL OUT FORCE FROM MATING FACE SIDE.
8. DIMENSION APPLIES TO CENTER LINE OF CONTACTS.
9. OBSOLETE PARTS: OBSOLETE CIS STREAMLINING PER D.RENAUD/D.SINISI

-	FEMALE SCREWLOCKS	TIN	6	7-747844-1
-	FEMALE SCREWLOCKS	TIN	5	7-747844-0
TRAY	THREADED INSERTS	TIN	6	6-747844-9
-	THREADED INSERTS	TIN	5	6-747844-8
OBSOLETE	.125 DIA HOLES	TIN	6	6-747844-7
SUPSD BY 747844-4	TUBE	TIN-LEAD	6	747844-8
SUPSD BY 747844-4	INSERT/LOCKING POST & WASHERS	TIN-LEAD	6	747844-7
-	FEMALE SCREWLOCKS	TIN-LEAD	6	747844-6
-	FEMALE SCREWLOCKS	TIN-LEAD	5	747844-5
TRAY	THREADED INSERTS	TIN-LEAD	6	747844-4
-	THREADED INSERTS	TIN-LEAD	5	747844-3
-	.125 DIA HOLES	TIN-LEAD	6	747844-2
SUPSD BY 747844-2	-	TIN-LEAD	5	747844-1
PACKAGING	MOUNTING HARDWARE	BOARDLOCK FINISH	CONTACT FINISH	PART NUMBER

THIS DRAWING IS A CONTROLLED DOCUMENT.

DIMENSIONS: INCHES	TOLERANCES UNLESS OTHERWISE SPECIFIED:	DIN J. GALLUCCI BG 28 JAN 91	APVD W.G. LENKER 15 APR 91	NAME	RECEPTACLE ASSEMBLY, SIZE 1, RIGHT ANGLE, .318 SERIES, FRONT METAL SHELL, .026 DIA POSTS, BOARDLOCKS, AMPLIMITE™ HD-20
0 PLC ± -	1 PLC ± -	2 PLC ± -	3 PLC ± .005	4 PLC ± -	ANGLES 2° ± -
MATERIAL	FINISH	SIZE	CAGE CODE	DRAWING NO	RESTRICTED TO
		A1	00779	747844	
CUSTOMER DRAWING		SCALE	SHEET	REV	
		4:1	1 of 1	U2	

STE TE Connectivity

单击下面可查看定价，库存，交付和生命周期等信息

[>>TE Connectivity\(泰科\)](#)