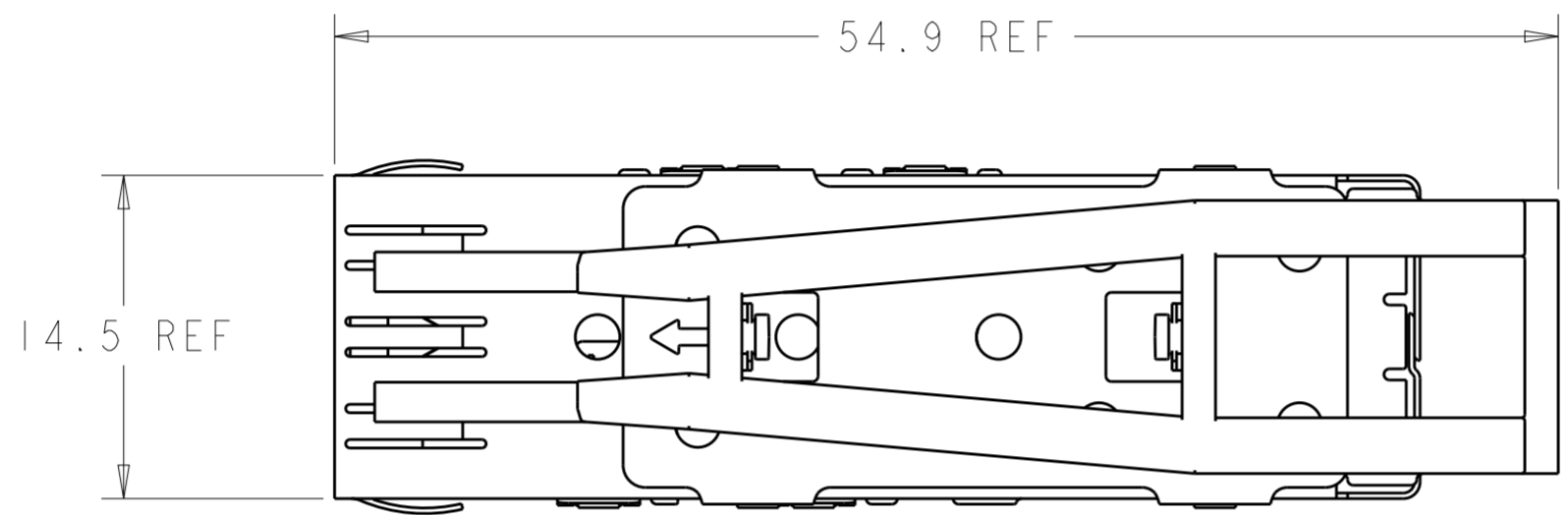
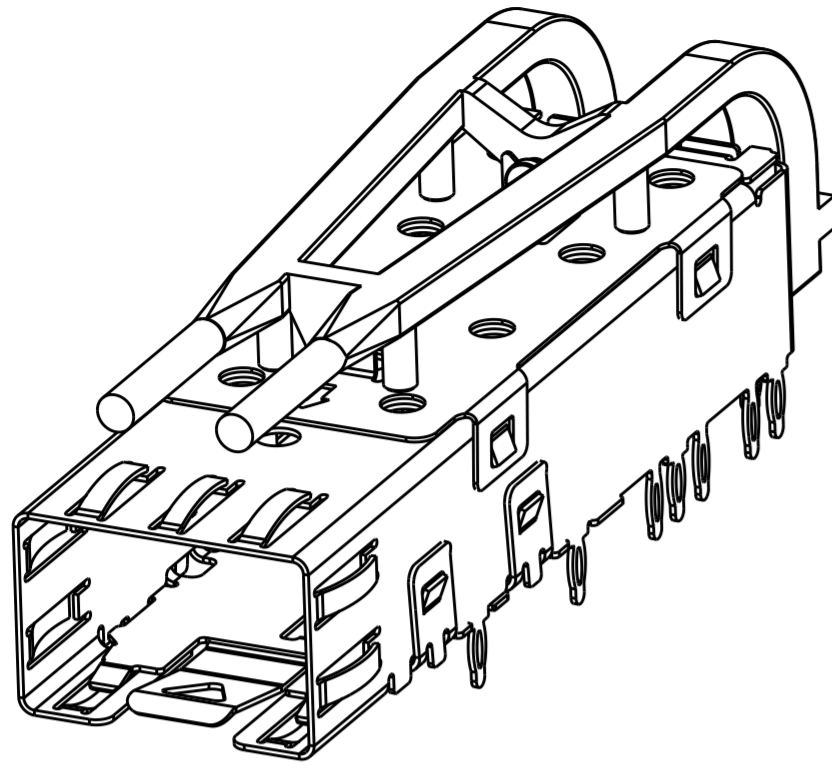


THIS DRAWING IS UNPUBLISHED. RELEASED FOR PUBLICATION 20  
 © COPYRIGHT 20 ALL RIGHTS RESERVED.

LOC		DIST		REVISIONS			
GP	00	P	LTR	DESCRIPTION	DATE	DWN	APVD
		B1		REVISED PER ECO-11-005033	10MAY2011	RK	HMR
		B4		REVISED PER ECO-14-009692	6JAN2015	CW	SH



1 MATERIAL:  
 CAGE: COPPER ALLOY(TOP CAGE&BOTTOM CAGE 2 PIECE STRUCTURE).  
 LIGHTPIPE: POLYCARBONATE, CLEAR  
 LIGHTPIPE BRACKET: STAINLESS STEEL.

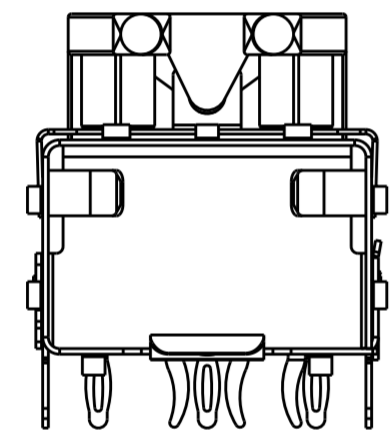
2 FINISH:  
 CAGE: TIN 1.25 um MIN THICKNESS OVER,  
 0.125 um MIN THICKNESS NICKEL.  
 NONPLATED EDGES PERMISSABLE.  
 3. MATES WITH SFP MSA COMPLIANT TRANSCEIVERS.

4 PADS AND VIAS CHASSIS GROUND.  
 5 DATUM AND BASIC DIMENSIONS ESTABLISHED BY CUSTOMER.  
 6. MINIMUM PC BOARD THICKNESS:  
 SINGLE SIDED: 1.50 mm  
 (SHOWN ON SHEET 4).

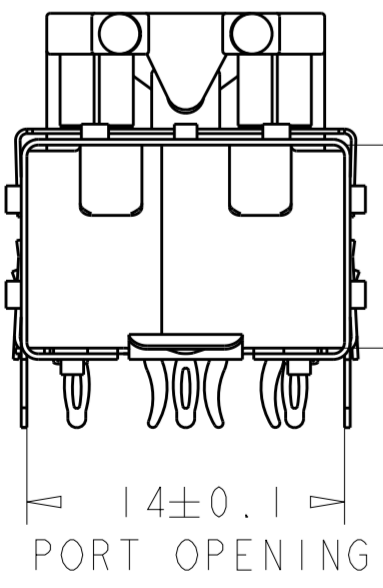
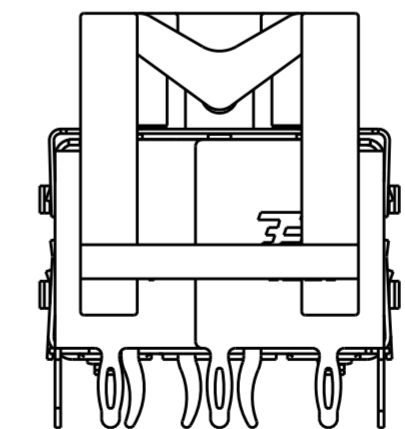
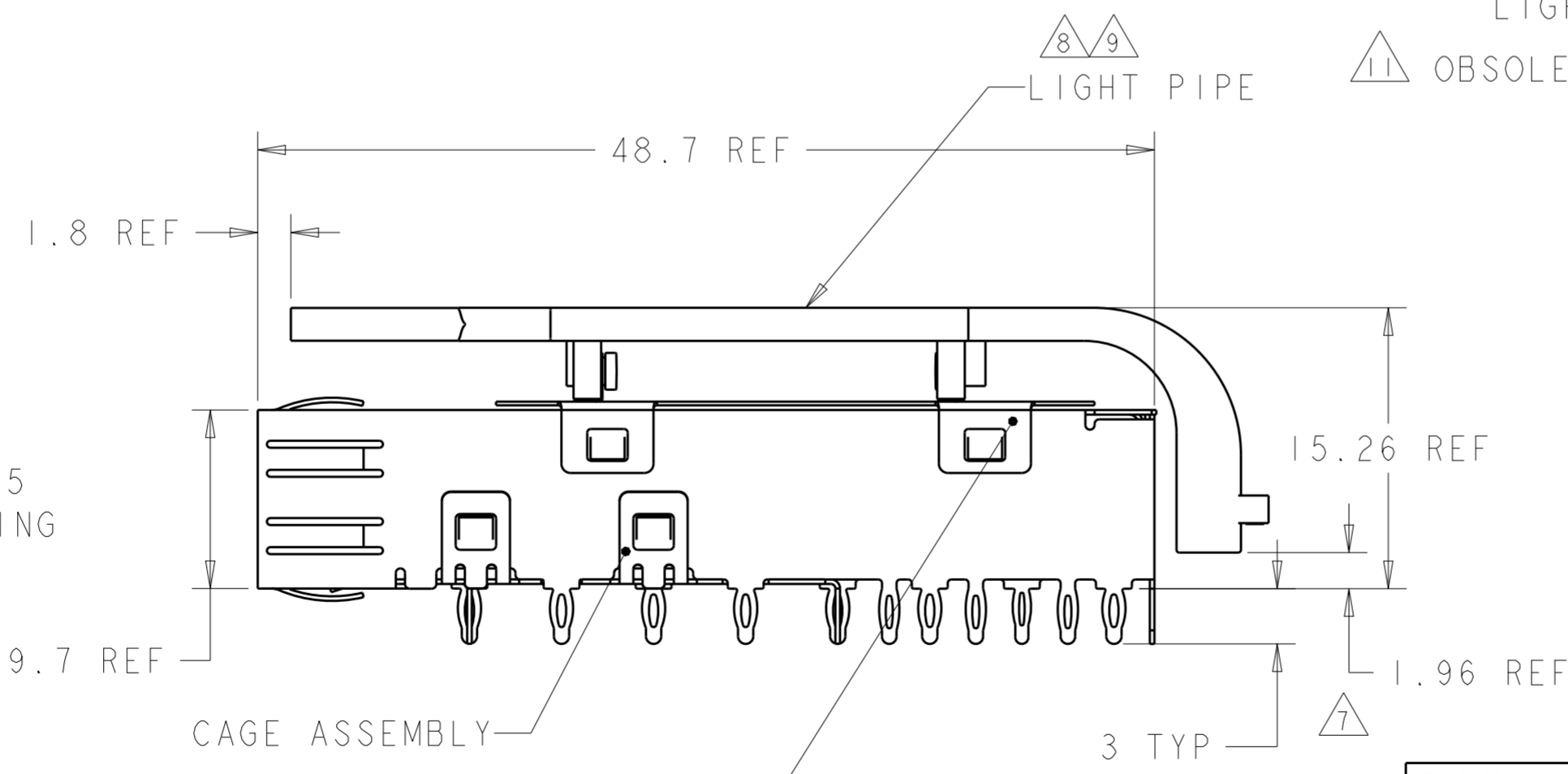
7 MAX HEIGHT OF LED OFF BOARD IS NOT TO EXCEED 1.14mm.  
 8 LIGHT PIPE AND LIGHT PIPE BRACKET SHIPPED ASSEMBLED.  
 9 LIGHT PIPE ASSEMBLY SHIPPED UNASSEMBLED TO CAGE ASSEMBLY.  
 CAGE ASSEMBLY TO BE PRESSED INTO THE PCB PRIOR  
 TO ATTACHING THE LIGHT PIPE ASSEMBLY TO THE CAGE.

10 MATERIAL:  
 CAGE: STAINLESS STEEL(ONE PIECE DESIGN), 0.00125mm  
 NICKLE OVER ALL, NON-PLATED EDGES PERMISSIBLE.  
 LIGHTPIPE: POLYCARBONATE, CLEAR  
 LIGHTPIPE BRACKET: STAINLESS STEEL.

11 OBSOLETE



SCALE 3:1  
 1367629-2

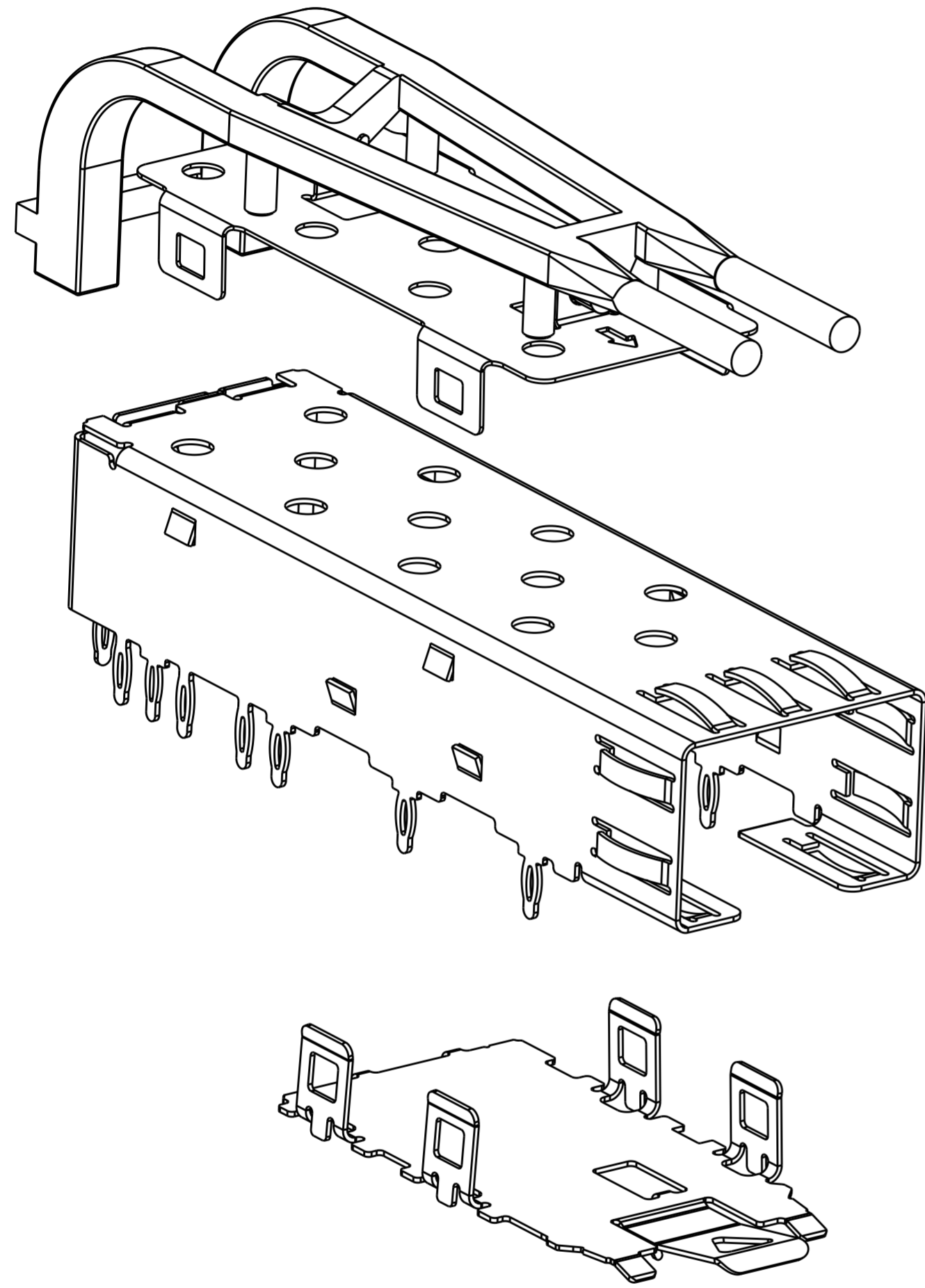


10	1367629-2
11	<del>1367629-1</del>
AS SHOWN	PART NUMBER
MATERIAL&CAGE STRUCTURE	

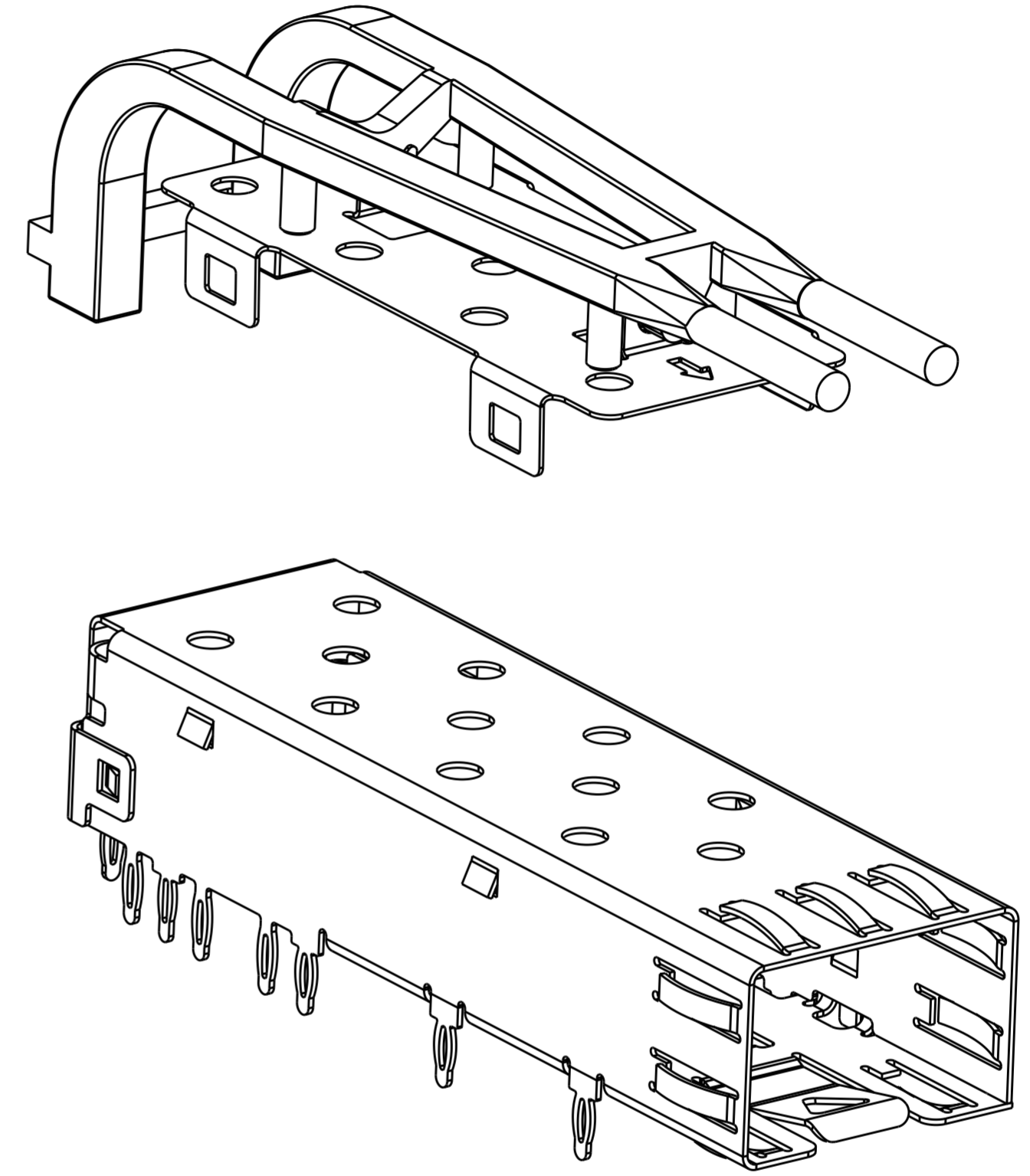
THIS DRAWING IS A CONTROLLED DOCUMENT.		DWN	C. VALENTINE	15 JAN 2007	TE Connectivity NAME CAGE ASSEMBLY, 20 PRESS FIT, SFP				
DIMENSIONS:		CHK	E. BRIGHT	15 JAN 2007					
TOLERANCES UNLESS OTHERWISE SPECIFIED:		APVD	F. BRIGHT	15 JAN 2007					
mm		PRODUCT SPEC							
0 PLC	±0.1	APPLICATION SPEC		108-1950	SIZE	CAGE CODE	DRAWING NO	RESTRICTED TO	
1 PLC	±0.1	114-13120			A2	00779	C-1367629		
2 PLC	±0.1	WEIGHT							
3 PLC	±0.05	Customer Drawing							
4 PLC	±0.05	SCALE	3:1	SHEET	1	OF	4	REV	B4
ANGLES	±								
FINISH	2								

THIS DRAWING IS UNPUBLISHED. RELEASED FOR PUBLICATION 20  
 © COPYRIGHT 20 ALL RIGHTS RESERVED.


LOC	DIST	REVISIONS					
GP	00	P	LTR	DESCRIPTION	DATE	DWN	APVD
		-		SEE SHEET 1			



SCALE 4:1  
1367629-1

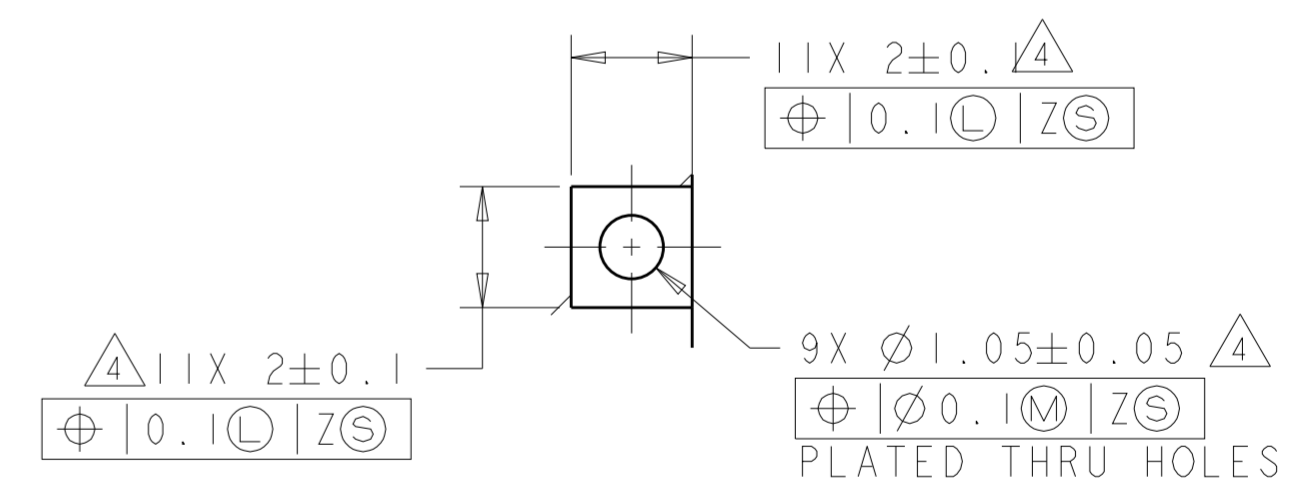
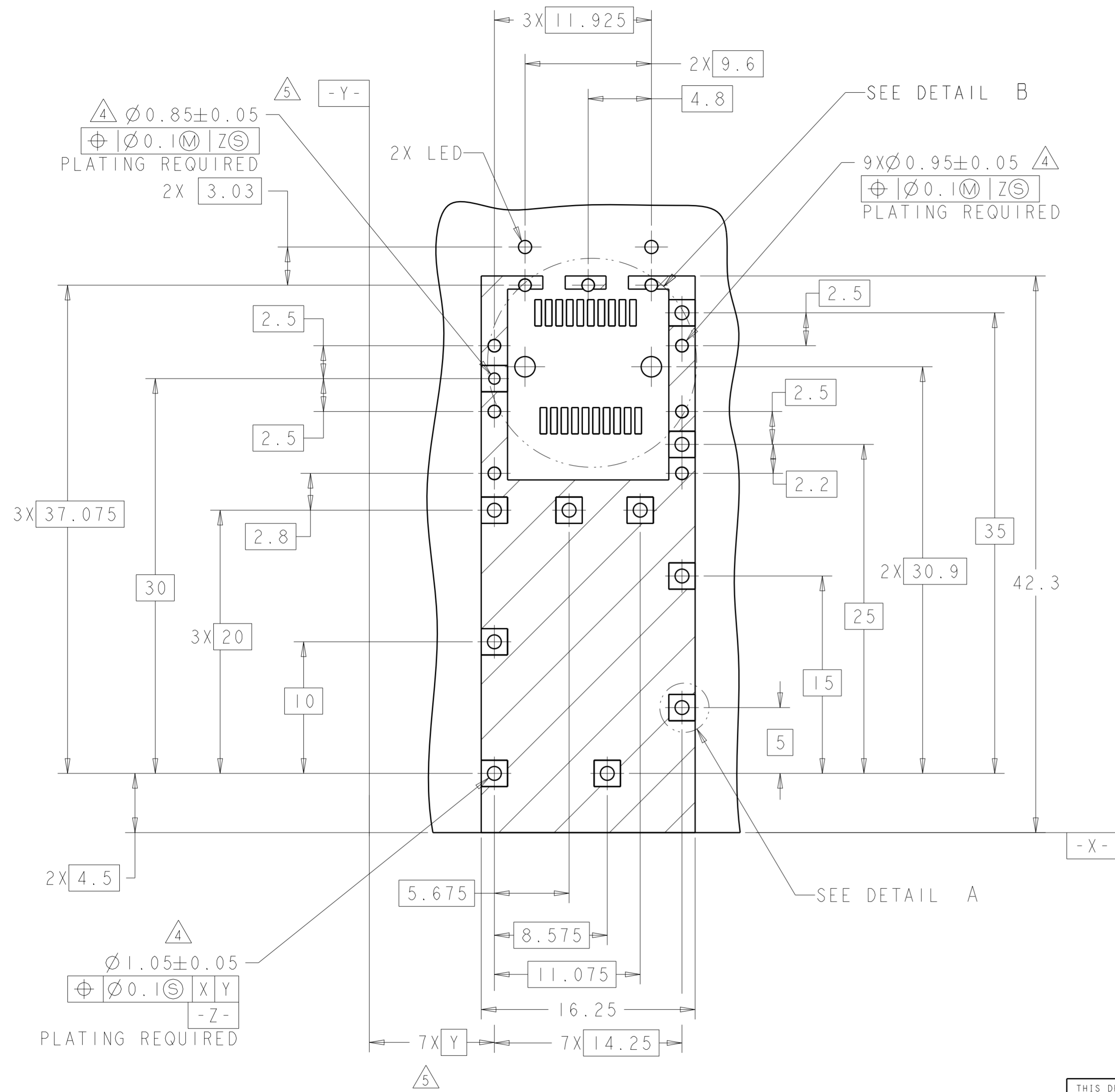


SCALE 4:1  
1367629-2

THIS DRAWING IS A CONTROLLED DOCUMENT.		DWN C. VALENTINE 15 JAN 2007	 TE Connectivity	
DIMENSIONS: mm		CHK E. BRIGHT 15 JAN 2007		
TOLERANCES UNLESS OTHERWISE SPECIFIED:		APVD E. BRIGHT 15 JAN 2007	NAME CAGE ASSEMBLY, 20 PRESS FIT, SFP	
0 PLC ±0.1 1 PLC ±0.1 2 PLC ±0.1 3 PLC ±0.05 4 PLC ±0.05 ANGLES ± FINISH		PRODUCT SPEC 108-1950	RESTRICTED TO	
MATERIAL		APPLICATION SPEC 114-13120	SIZE A200779	CAGE CODE C-1367629
		WEIGHT -	DRAWING NO C-1367629	
		Customer Drawing	SCALE 3:1	SHEET 2 OF 4 REV B4

THIS DRAWING IS UNPUBLISHED. RELEASED FOR PUBLICATION 20  
 © COPYRIGHT 20 ALL RIGHTS RESERVED.

LOC	DIST	REVISIONS					
GP	00	P	LTR	DESCRIPTION	DATE	DWN	APVD
		-		SEE SHEET 1			

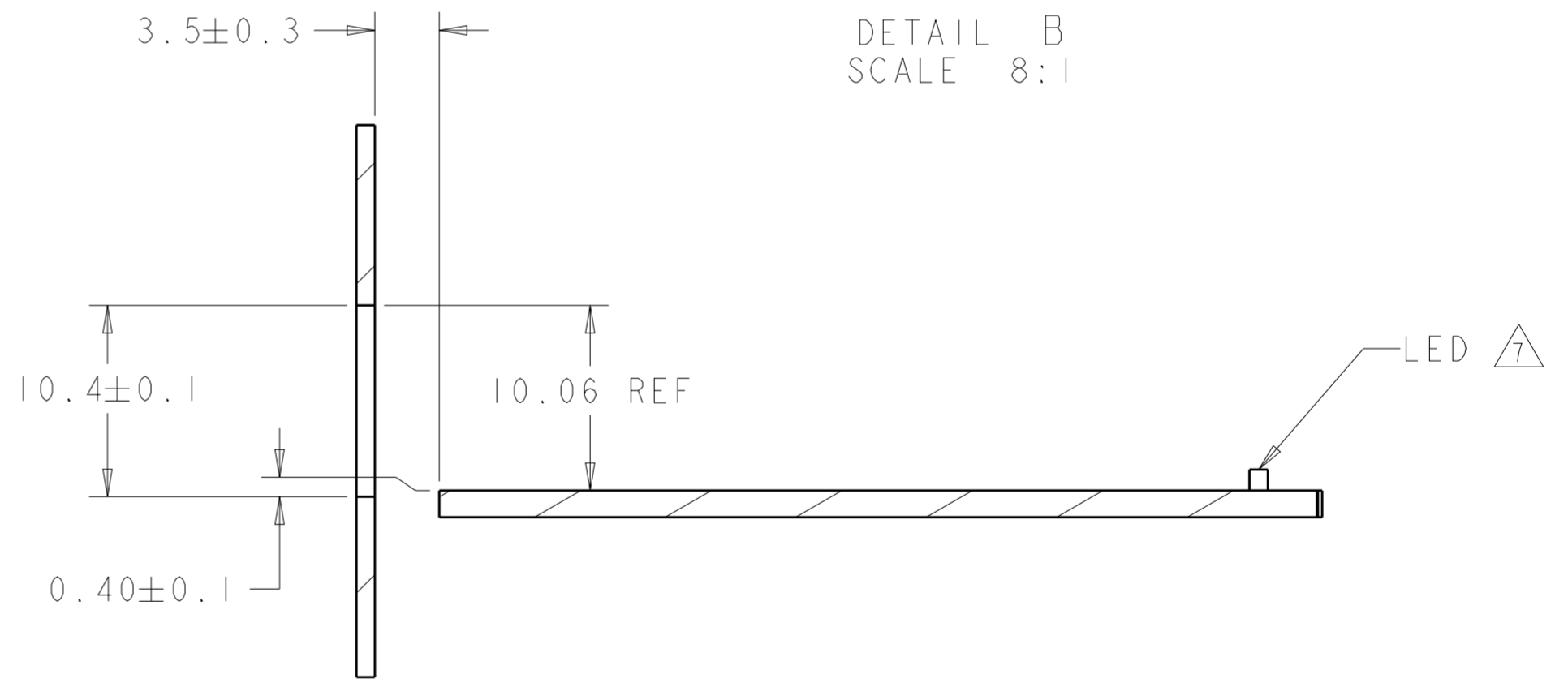
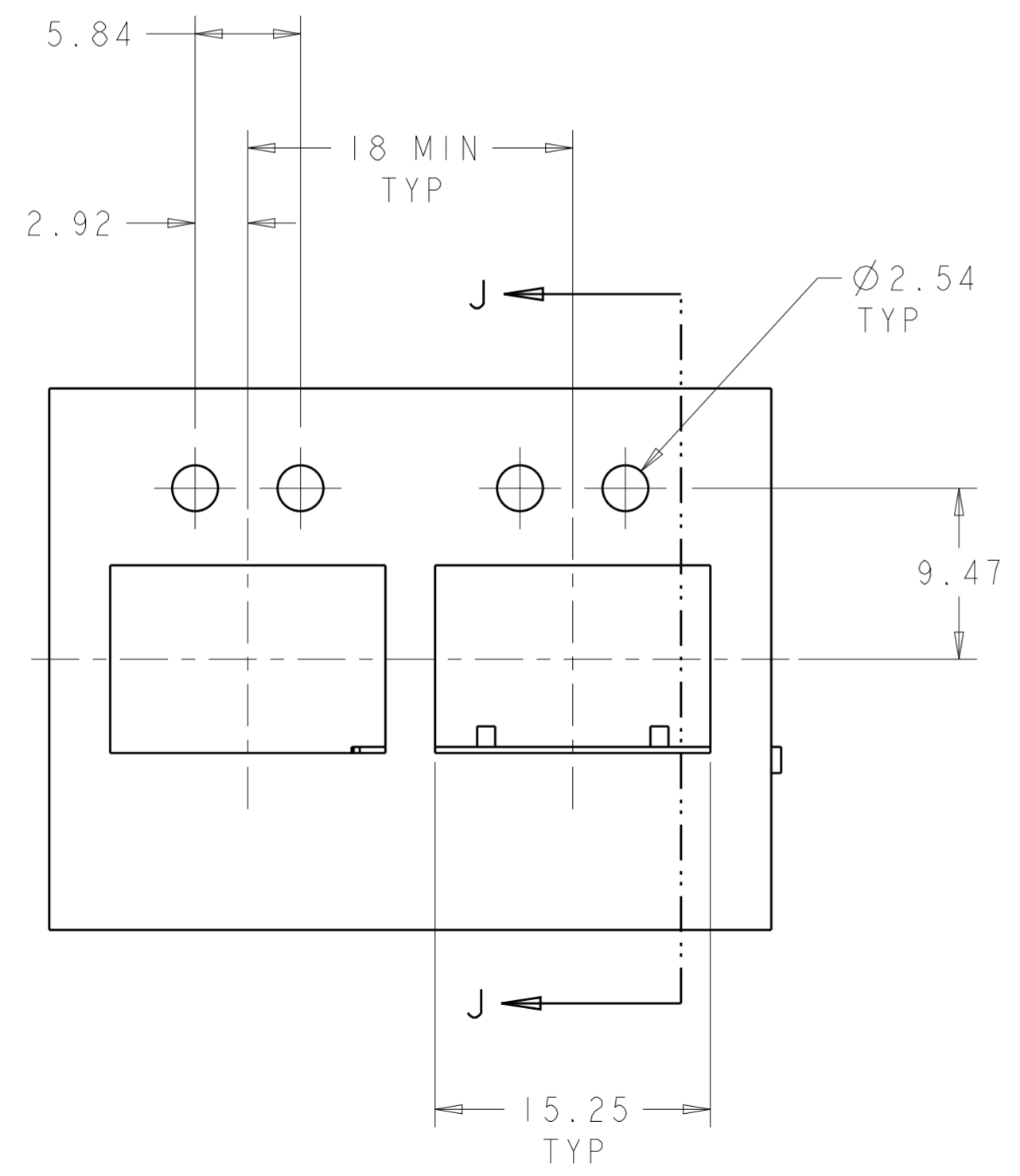
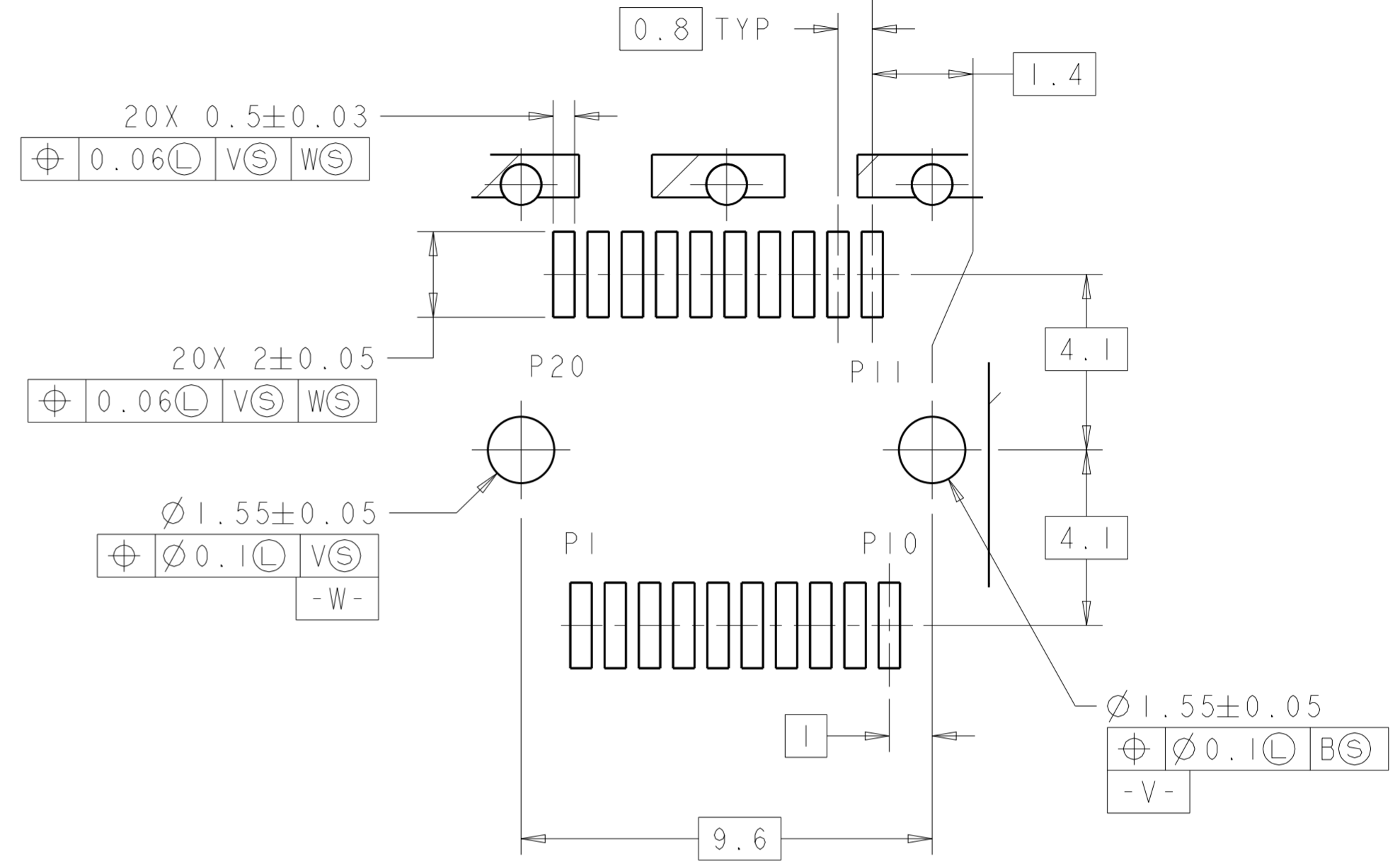
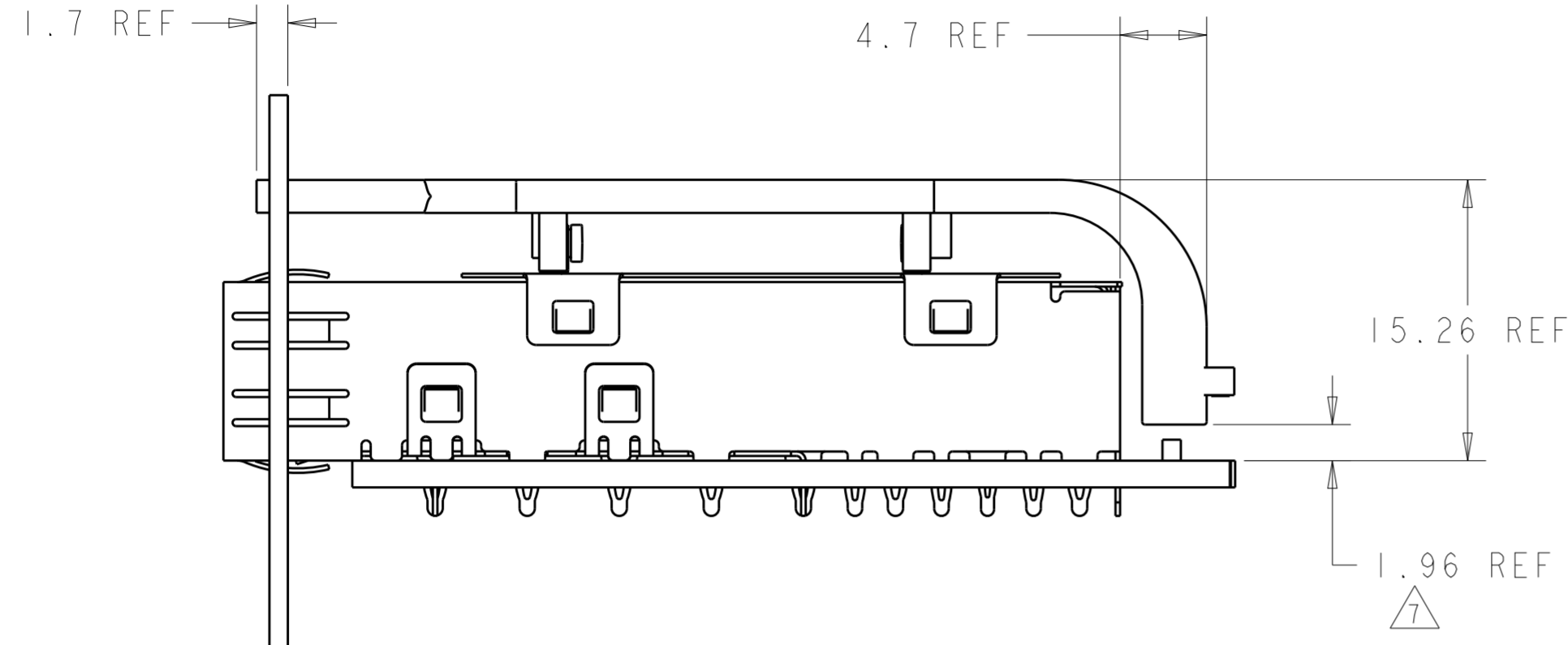


RECOMMENDED PC BOARD LAYOUT  
SCALE 4:1

THIS DRAWING IS A CONTROLLED DOCUMENT.		DWN C. VALENTINE 15 JAN 2007	TE Connectivity	
DIMENSIONS: mm		CHK E. BRIGHT 15 JAN 2007		
TOLERANCES UNLESS OTHERWISE SPECIFIED:		APVD E. BRIGHT 15 JAN 2007	NAME CAGE ASSEMBLY, 20 PRESS FIT, SFP	
0 PLC $\pm 0.1$ 1 PLC $\pm 0.1$ 2 PLC $\pm 0.1$ 3 PLC $\pm 0.05$ 4 PLC $\pm 0.05$ ANGLES $\pm$ FINISH		PRODUCT SPEC 108-1950	RESTRICTED TO	
MATERIAL		APPLICATION SPEC 114-13120	SIZE A200779	DRAWING NO C-1367629
		WEIGHT	SCALE 3:1	SHEET 3 OF 4
		Customer Drawing	REV B4	

THIS DRAWING IS UNPUBLISHED. RELEASED FOR PUBLICATION 20  
 © COPYRIGHT 20 ALL RIGHTS RESERVED.

LOC	DIST	REVISIONS			
P	LTR	DESCRIPTION	DATE	DWN	APVD
GP	00	SEE SHEET 1	-	-	-



DETAIL B  
SCALE 8:1

SECTION J-J

THIS DRAWING IS A CONTROLLED DOCUMENT.		DWN C. VALENTINE 15 JAN 2007	TE Connectivity	
DIMENSIONS: mm		CHK E. BRIGHT 15 JAN 2007		
TOLERANCES UNLESS OTHERWISE SPECIFIED:		APVD E. BRIGHT 15 JAN 2007	NAME CAGE ASSEMBLY, 20 PRESS FIT, SFP	
0 PLC ±0.1 1 PLC ±0.1 2 PLC ±0.1 3 PLC ±0.05 4 PLC ±0.05 ANGLES ± FINISH		PRODUCT SPEC 108-1950	RESTRICTED TO	
MATERIAL		APPLICATION SPEC 114-13120	SIZE A200779	DRAWING NO C-1367629
		WEIGHT	SCALE 3:1 SHEET 4 OF 4 REV B4	
		Customer Drawing		

单击下面可查看定价，库存，交付和生命周期等信息

[>>TE Connectivity\(泰科\)](#)