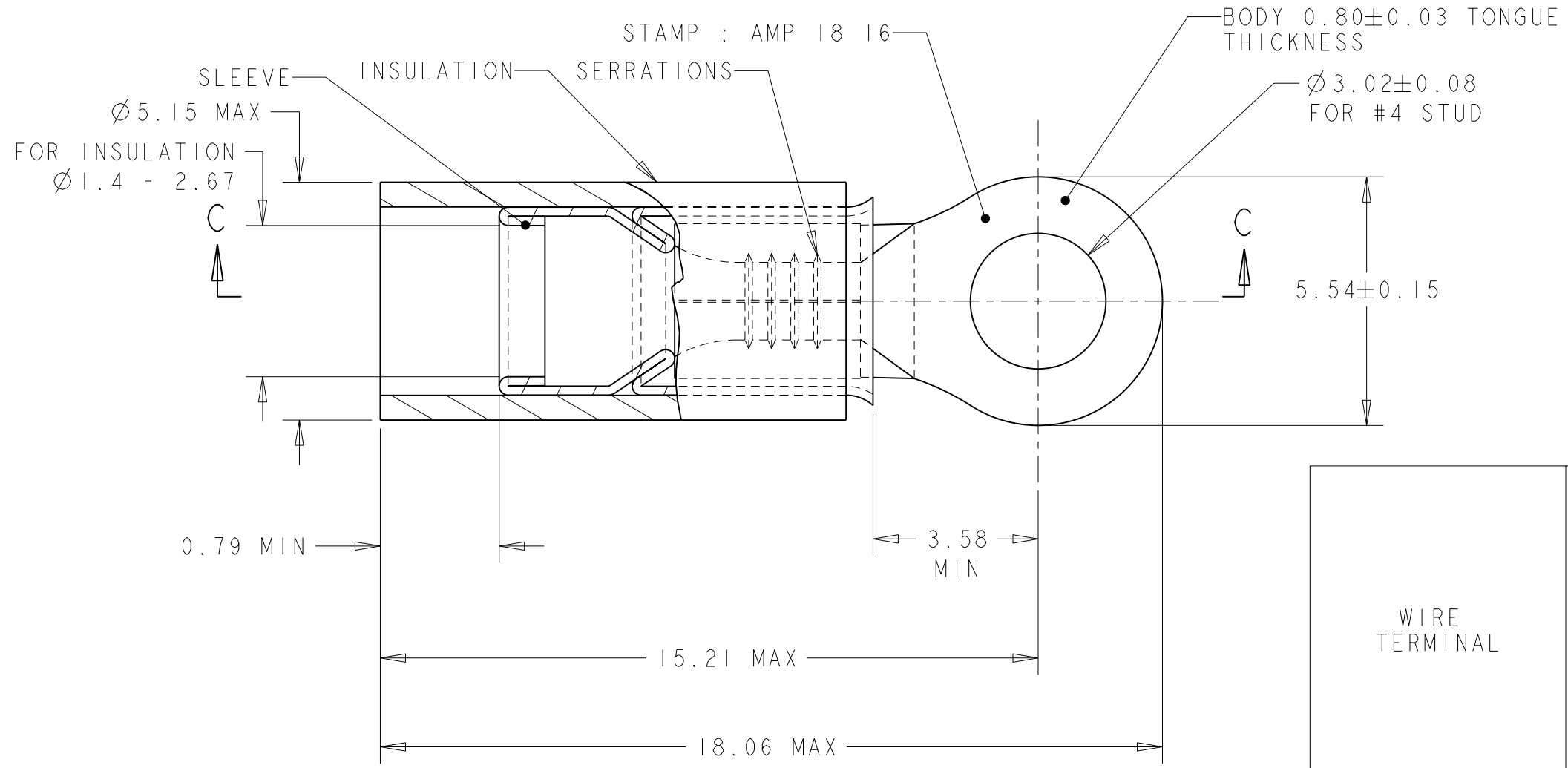
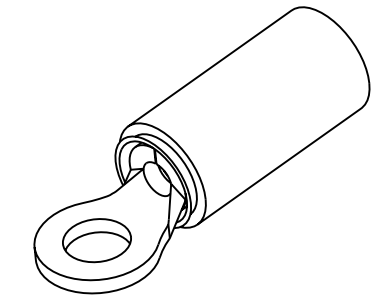
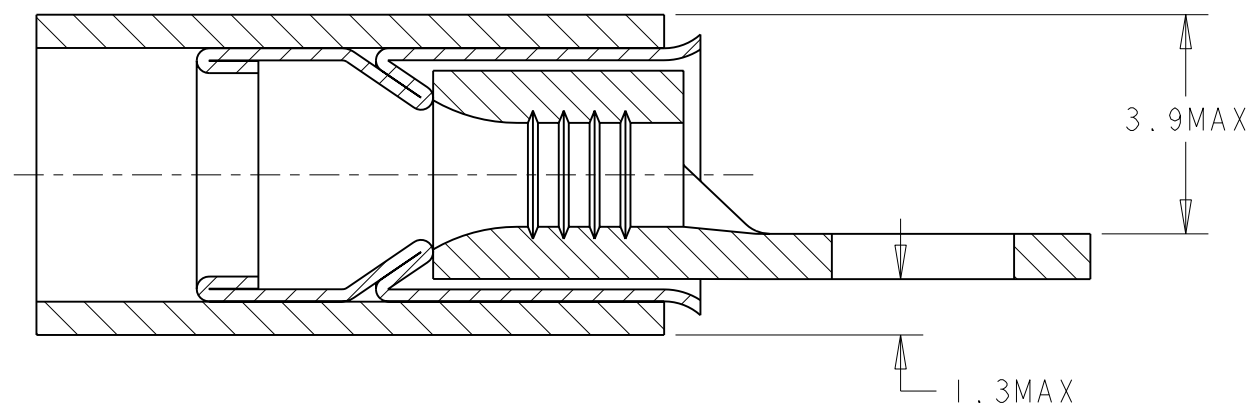


THIS DRAWING IS UNPUBLISHED. RELEASED FOR PUBLICATION 20
 © COPYRIGHT 20 BY TYCO ELECTRONICS CORPORATION. ALL RIGHTS RESERVED.

LOC	DIST	REVISIONS			
P	LTR	DESCRIPTION	DATE	DWN	APVD
F	00	B	ECR 07-025006	25OCT2007	JT GR

COUPE C-C



WIRE TERMINAL	1577630-1	BODY : COPPER ANNEALED FINISH : NICKEL PLATED
		SLEEVE : COPPER ANNEALED FINISH : NICKEL PLATED
		INSULATION : PEEK COLOR : ORANGE
DESCRIPTION	PART NUMBER	MATERIAL & FINISH

THIS DRAWING IS A CONTROLLED DOCUMENT FOR TYCO ELECTRONICS CORPORATION. IT IS SUBJECT TO CHANGE AND THE CONTROLLING ENGINEERING ORGANIZATION SHOULD BE CONTACTED FOR THE LATEST REVISION.		DWN	22FEB2006	Tyco Electronics France SAS 95300 Pontoise, France			
DIMENSIONS: mm		CHK	22FEB2006				
TOLERANCES UNLESS OTHERWISE SPECIFIED:		APVD	22FEB2006				
0 PLC ±- 1 PLC ±0.3 2 PLC ±- 3 PLC ±- 4 PLC ±- ANGLES ±5 FINISH SEE TABLE		NAME	Y. PETRONIN				
MATERIAL	SEE TABLE	PRODUCT SPEC	108-15356	TERMINAL, PEEK PIDG STRATO, 18-16 AWG			
		APPLICATION SPEC	114-15102	SIZE	CAGE CODE	DRAWING NO	RESTRICTED TO
		WEIGHT	0,76 gr	A3	00779	1577630	-
CUSTOMER DRAWING				SCALE	8:1	SHEET	1 OF 1
						REV	B

单击下面可查看定价，库存，交付和生命周期等信息

[>>TE Connectivity\(泰科\)](#)