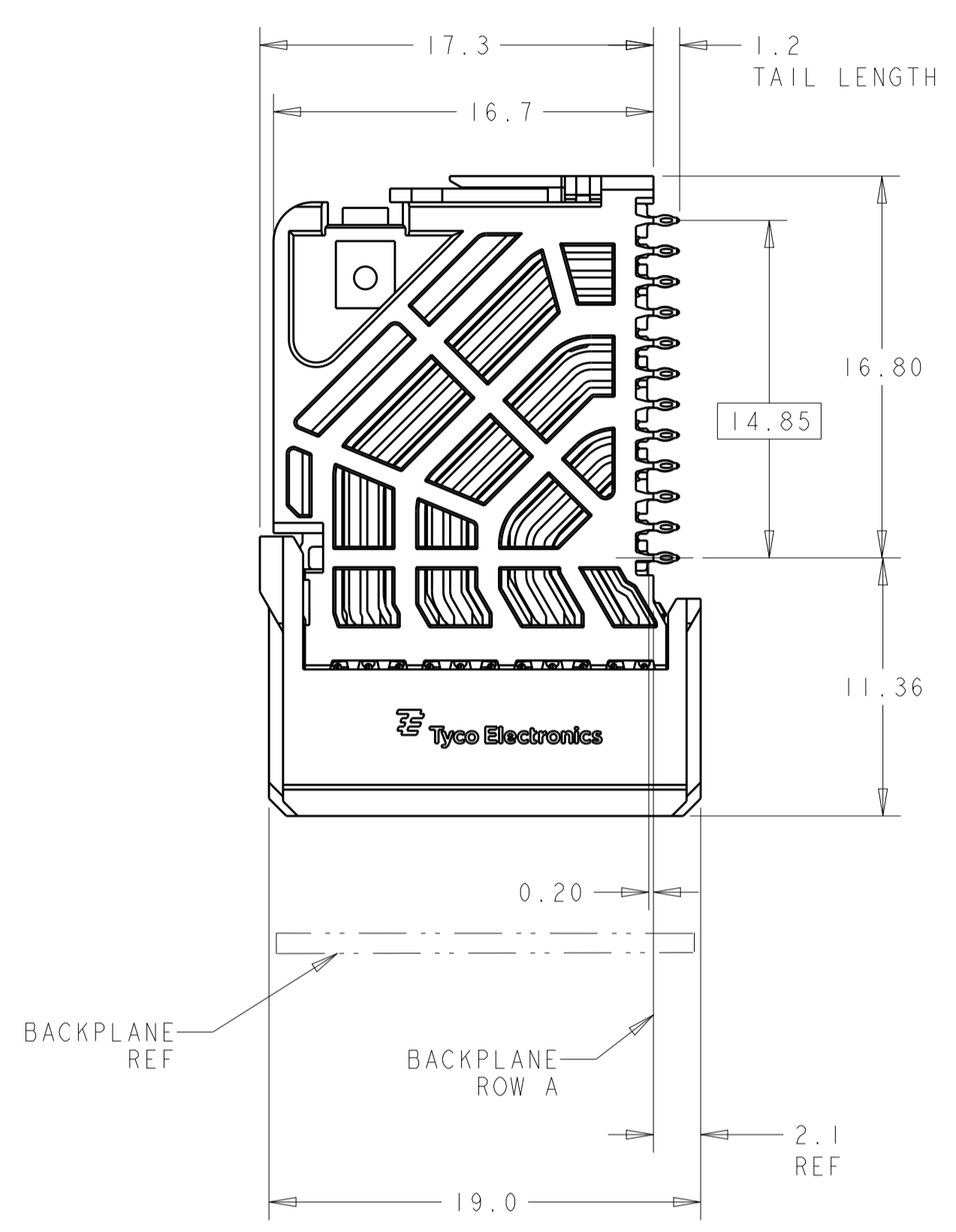
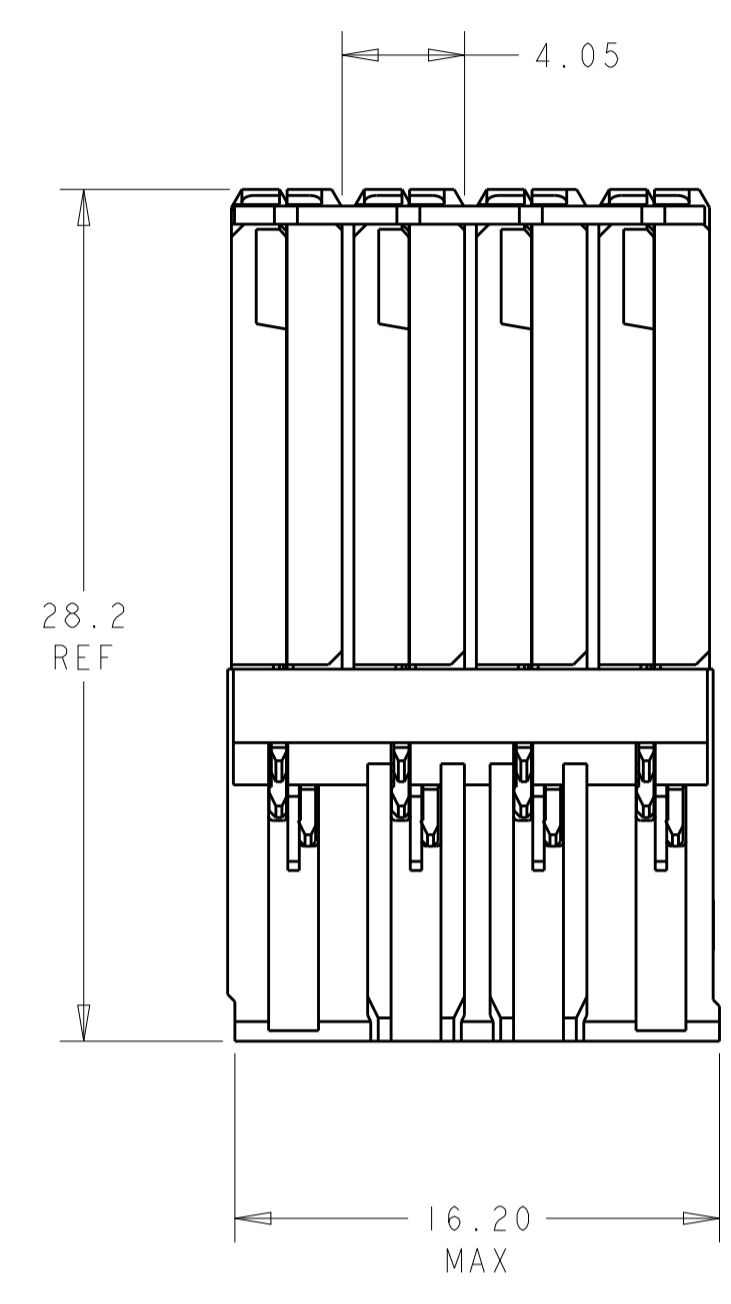
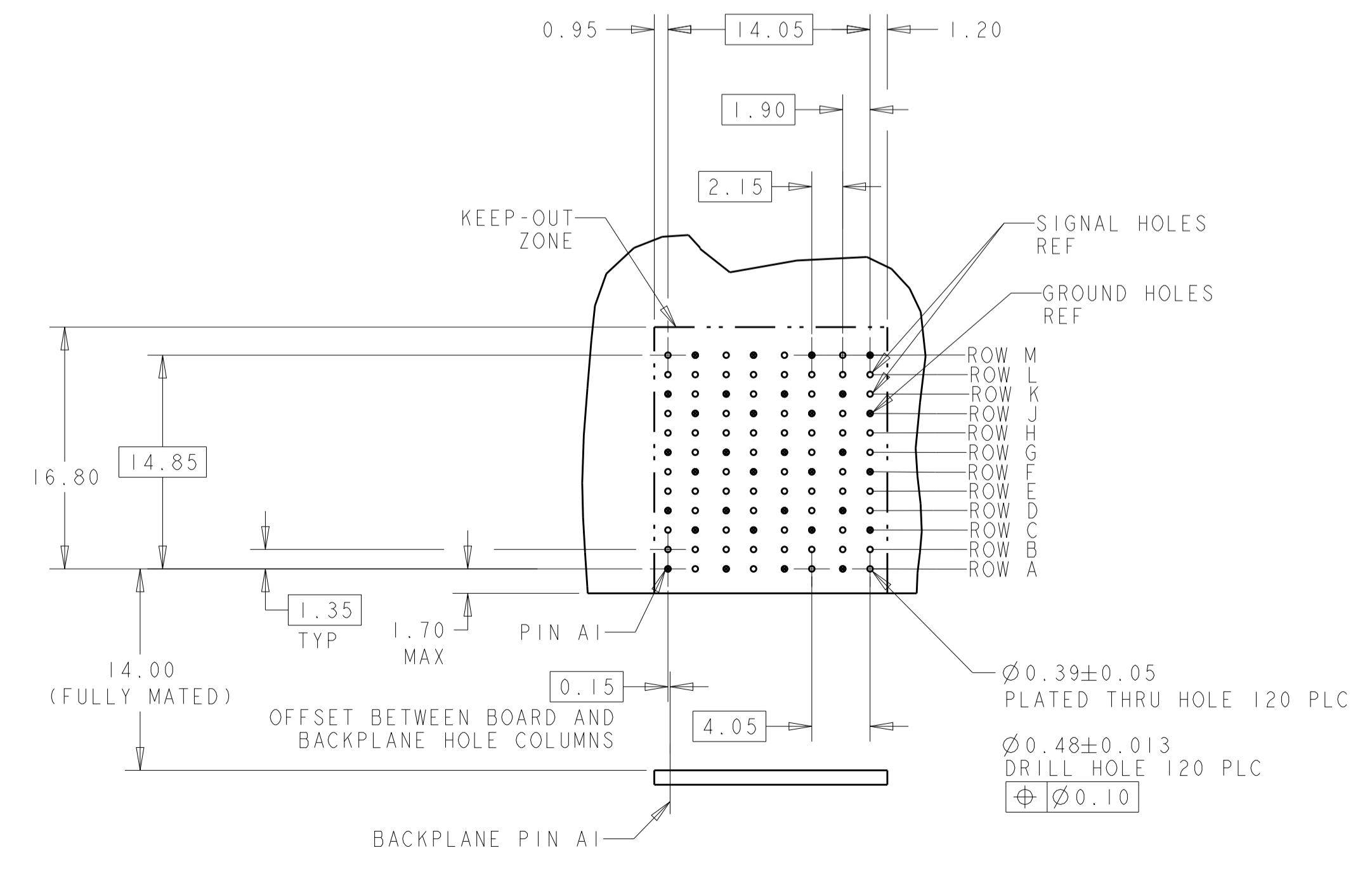
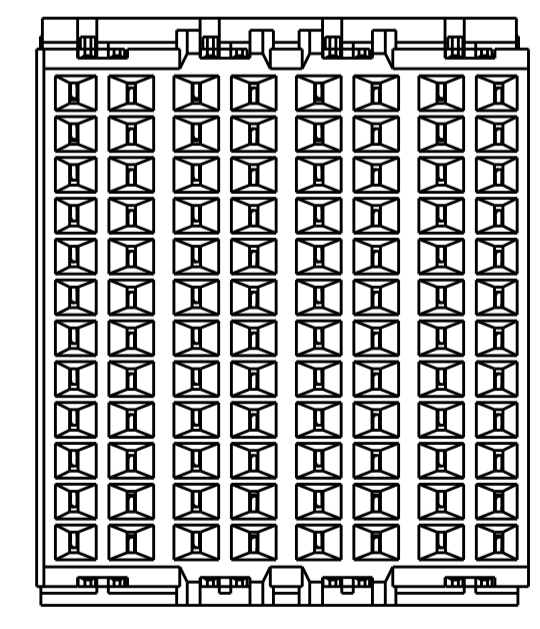
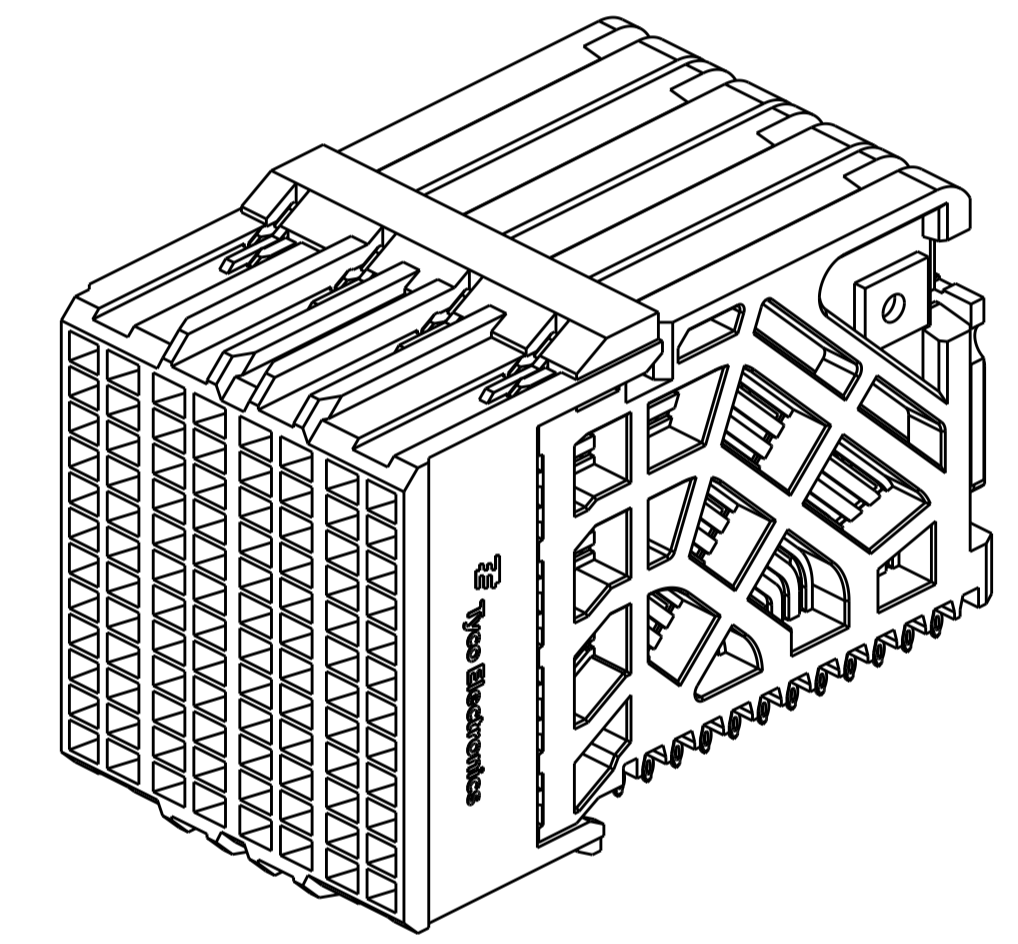


LOC		DIST		REVISIONS			
AD	00	P	LTN	DESCRIPTION	DATE	DWN	APVD
		C		REVISED PER ECO-14-000931	28FEB2014	AP	DD



- 1 MATERIAL:
HOUSING: LCP, GLASS FILLED, UL94V-0.
TERMINALS: HIGH PERFORMANCE COPPER ALLOY.
- 2 FINISH:
30µ" SELECTIVE GOLD IN CONTACT AREA. SELECTIVE TIN ON PCB TAILS, NICKEL OVERALL.



RECOMMENDED PCB LAYOUT
 MIN BOARD THICKNESS 1.0
 SCALE 3:1

2132466-1
PART NUMBER

THIS DRAWING IS A CONTROLLED DOCUMENT.		DWN J.K. SHOBER ZOMAY2010	NAME	
DIMENSIONS:		CHK D. DIXON ZOMAY2010	IMPACT, 4 PR, 8 COL, DAUGHTERCARD,	
TOLERANCES UNLESS OTHERWISE SPECIFIED:		APVD D. DIXON ZOMAY2010	UNGUIDED SIGNAL MODULE,	
mm	0 PLC ±	PRODUCT SPEC	0.39 EYELET, ORTHOGONAL	
	1 PLC ±0.2	APPLICATION SPEC	SIZE	CAGE CODE DRAWING NO
	2 PLC ±0.13		A1	00779C=2132466
	3 PLC ±	WEIGHT	SCALE	4:1
	4 PLC ±	Customer Drawing	SHEET	1 OF 1
	ANGLES ±		REV	C

单击下面可查看定价，库存，交付和生命周期等信息

[>>TE Connectivity\(泰科\)](#)