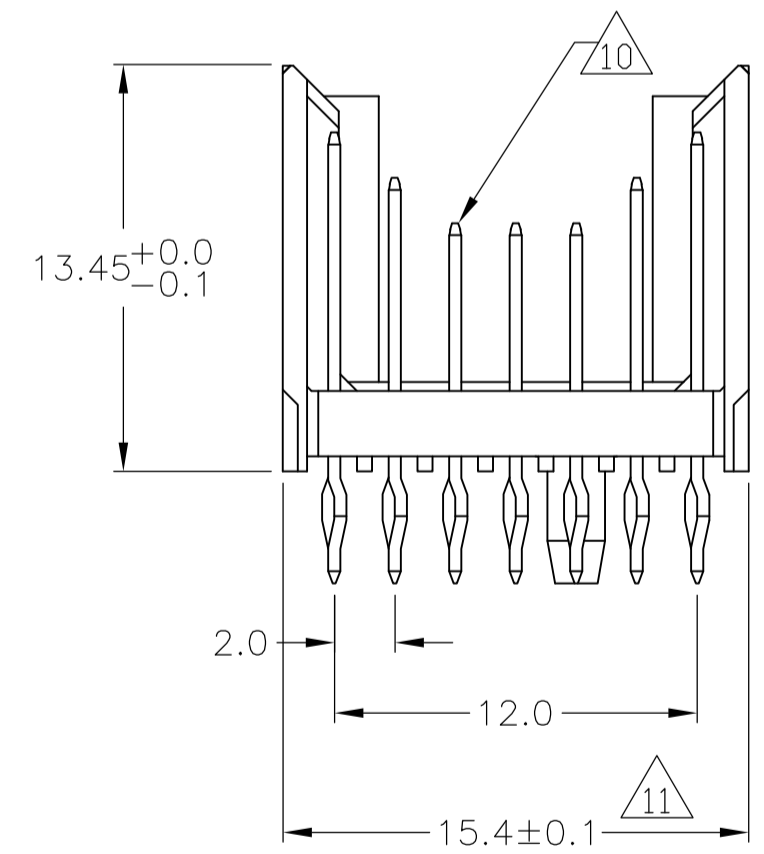
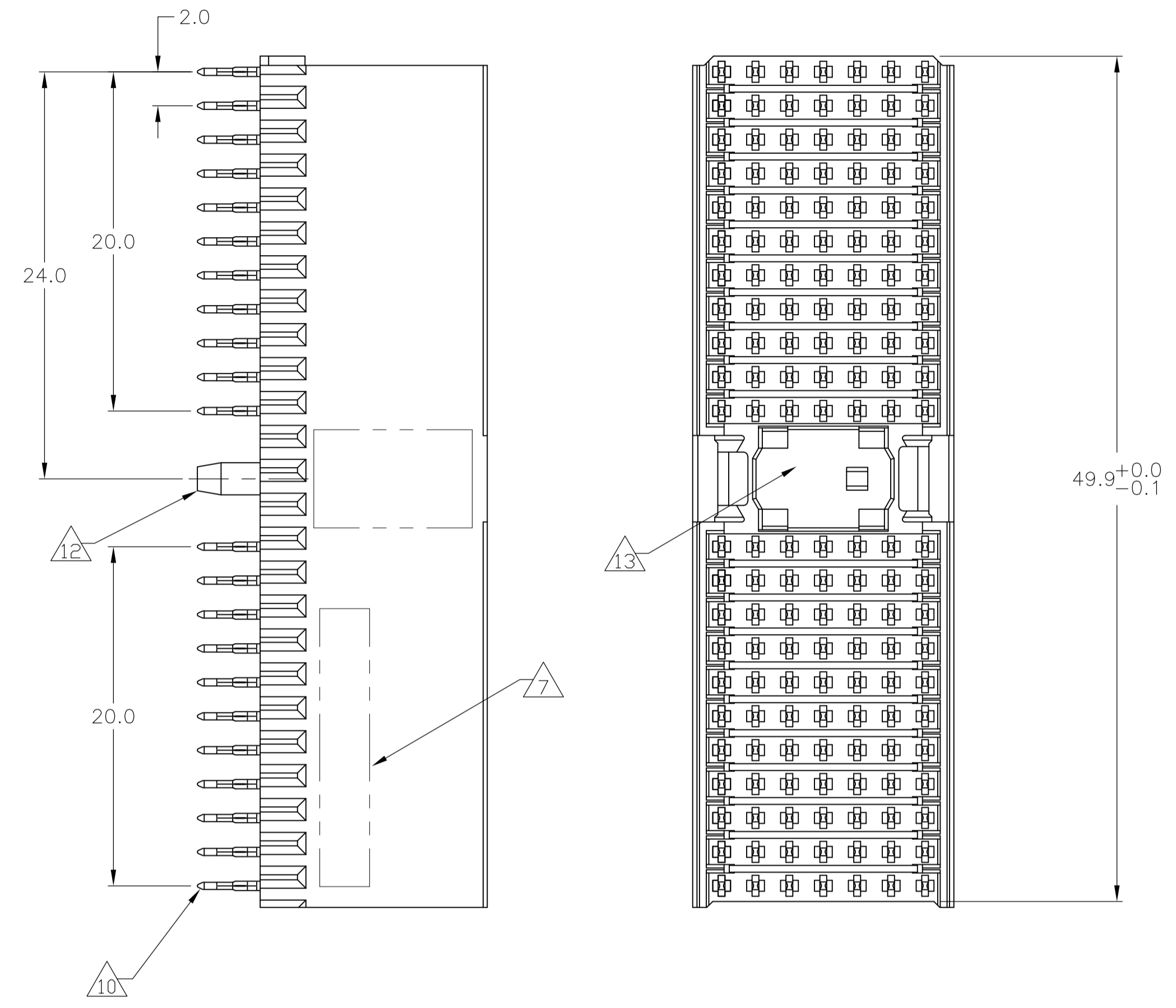


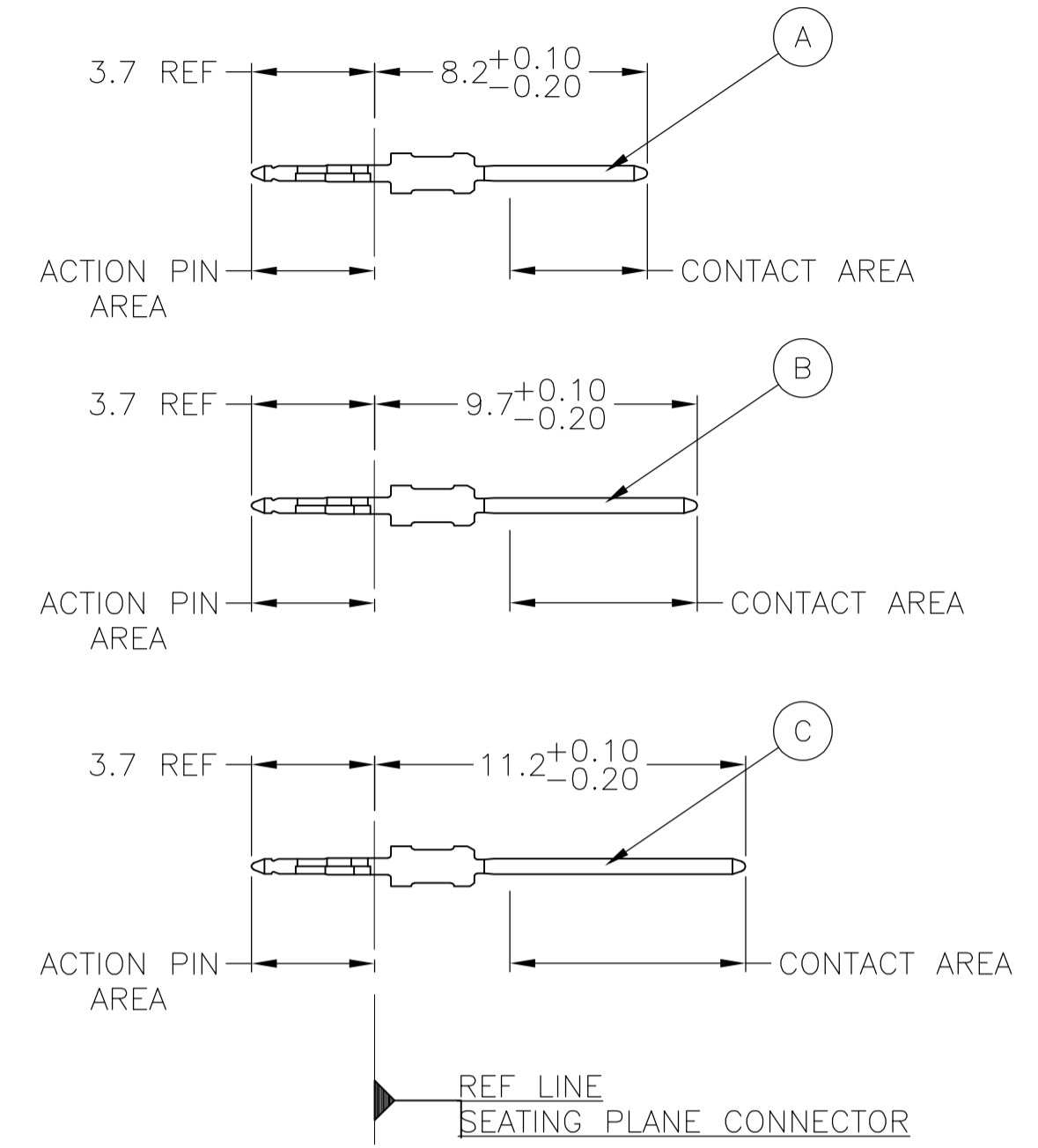
LOC		DIST		REVISIONS				
AD	00	REV	PER	EC	OS12-0306-05	DATE	DMN	APVD
A		REV	PER	EC	OS12-0306-05	23MAY05	BC	GS
B		ECR			10-019054	15SEP10	DP	MQW

### CONNECTOR ASSEMBLY EXAMPLARY LOADED $\Delta 9$



### CONTACT DIMENSIONS

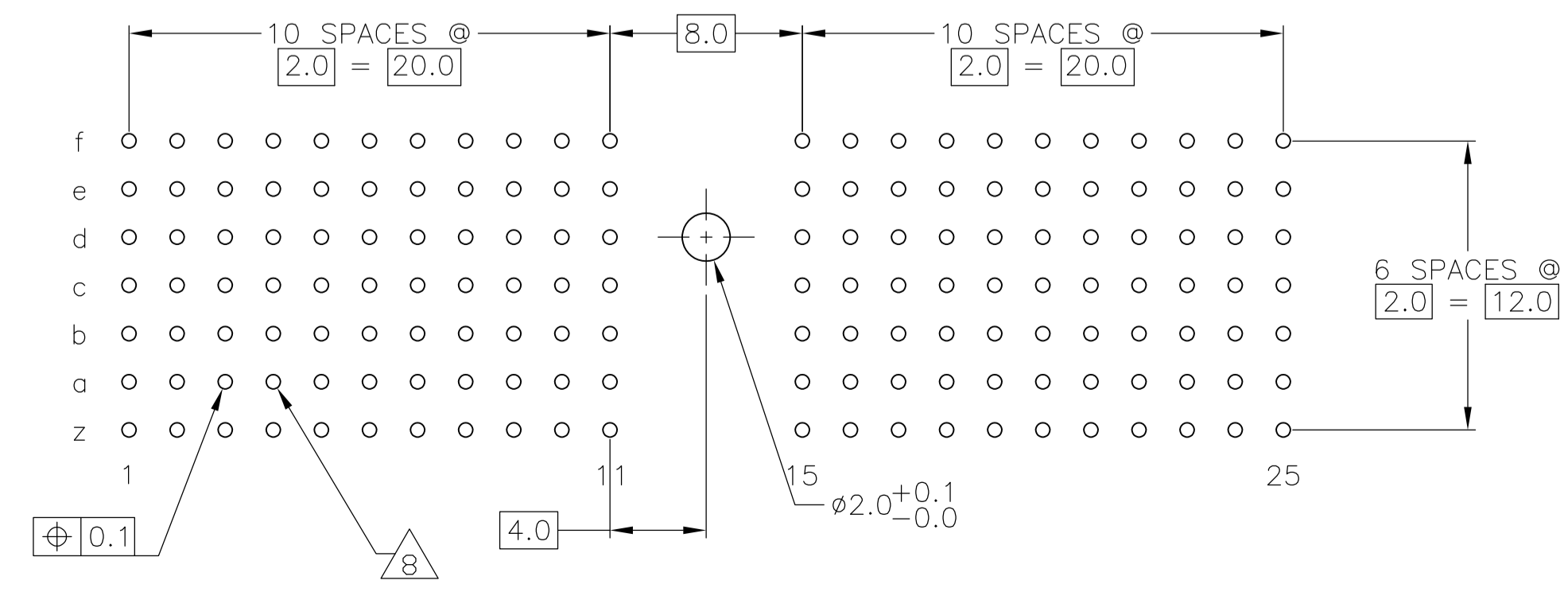
SCALE 5:1



### CONTACT LAYOUT

	z	a	b	c	d	e	f
1	C	B	A	A	A	B	C
2	C	B	A	A	A	B	C
3	C	B	A	A	A	B	C
4	C	B	A	A	A	B	C
5	C	B	A	A	A	B	C
6	C	B	A	A	A	B	C
7	C	B	A	A	A	B	C
8	C	B	A	A	A	B	C
9	C	B	A	A	A	B	C
10	C	B	A	A	A	B	C
11	C	B	A	A	A	B	C
MULTI PURPOSE CENTER							
15	C	B	A	A	A	B	C
16	C	B	A	A	A	B	C
17	C	B	A	A	A	B	C
18	C	B	A	A	A	B	C
19	C	B	A	A	A	B	C
20	C	B	A	A	A	B	C
21	C	B	A	A	A	B	C
22	C	B	A	A	A	B	C
23	C	B	A	A	A	B	C
24	C	B	A	A	A	B	C
25	C	B	A	A	A	B	C

### RECOMMENDED PCB-HOLE LAYOUT COMPONENT SIDE SHOWN



### PLATED THRU HOLES PARAMETERS

REFERENCE APPLICATION SPECIFICATION

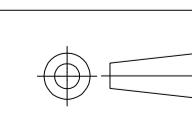
$\Delta 2$	$\Delta 6$	$\Delta 14$	1-5106388-9
$\Delta 2$	$\Delta 5$	$\Delta 14$	5106388-9
$\Delta 2$	$\Delta 4$		5106388-4
$\Delta 2$	$\Delta 3$		5106388-1
FINISH			PART NUMBER

THIS DRAWING IS A CONTROLLED DOCUMENT.

DIMENSIONS: mm	TOLERANCES UNLESS OTHERWISE SPECIFIED:	DIN B CARBO 21APR05	21APR05	Tyco Electronics Corporation Harrisburg, Pa 17105-3608
$\phi 0.1$	0-PLC $\pm 0.1$	CHK G SKIPPER	21APR05	APVD G SKIPPER
	1-PLC $\pm 0.1$	NAME Tyco Electronics		
	2-PLC $\pm 0.1$	MALE ASSEMBLY, Z-PACK 2mm HM, TYPE A		
	3-PLC $\pm 0.2$	APPLICATION SPEC 108-19082		
	4-PLC $\pm 0.2$	APPLICATION SPEC 114-19029		
MATERIAL $\Delta 1$	FINISH SEE TABLE	WEIGHT	SIZE A1	CAGE CODE 00779
			DRAWING NO. C=5106388	RESTRICTED TO
			CUSTOMER DRAWING	SCALE 4:1 SHEET 1 OF 2 REV B

LOC		DIST		REVISIONS			
P	LTR	DESCRIPTION	DATE	DN	APVD		
AD	00	SEE SHEET 1	-	-	-		

- 1 MATERIAL:  
CONTACT: PHOSPHOR BRONZE.  
HOUSING: GLASS-FILLED POLYESTER.
- 2 GENERAL PLATING SPECIFICATION: UNDERPLATING  
(ENTIRE CONTACT): 1.27µm MIN NICKEL AND ACTION  
PIN: 0.5µm MIN TIN.  
FOR PLATING OF MATING SURFACES SEE APPLICABLE  
SPECIFICATION REFERENCE FOR EACH DASH NUMBER.
- 3 CONFORMS TO ALL TESTING ACCORDING TO IEC 61076-4-101  
PERFORMANCE LEVEL 2.
- 4 CONFORMS TO ALL TESTING ACCORDING TO IEC 61076-4-101  
PERFORMANCE LEVEL 1.
- 5 CONNECTOR TESTED AND QUALIFIED AGAINST TELCORDIA GR-1217-CORE QUALITY LEVEL 3,  
CENTRAL OFFICE APPLICATIONS.
- 6 CONNECTOR TESTED AND QUALIFIED AGAINST TELCORDIA GR-1217-CORE QUALITY LEVEL 3,  
UNCONTROLLED ENVIROMENT APPLICATIONS.
- 7 CONNECTOR MARKED WITH PART NUMBER AND DATE CODE.  
ADDITIONAL CHARACTERS OR MARKINGS, AS WELL AS THE LOCATION OF THE MARKINGS,  
MAY BE ADDED FOR TRACEABILITY BASED UPON MANUFACTURERS DISCRETION.
- 8 PLATED-THROUGH HOLES AT 2x2mm SQUARE GRID  
PATTERN DEFINED BY CONTACT LAYOUT.
- 9 FOR ACTUAL PIN LOADING SEE "CONTACT LAYOUT".
- 10 FOR ACTUAL PIN DIMENSIONS SEE "CONTACT DIMENSIONS".
- 11 TO BE MEASURED AT BOTTOM OF SHROUD.
- 12 POLARIZATION FEATURE.
- 13 AREA RESERVED FOR KEYING PART (BASIC P/N 100525)
- 14 CONNECTOR LUBRICATED WITH BELCORE APPROVED LUBRICANT,  
TECHNICAL REFERENCE: TR-NWT-001217 ISSUE 1, SEP 1992.

THIS DRAWING IS A CONTROLLED DOCUMENT.		DIN B CARBO 21APR05		Tyco Electronics Corporation Harrisburg, Pa 17105-3608	
DIMENSIONS: mm		TOLERANCES UNLESS OTHERWISE SPECIFIED: 0-PLG ± 1-PLG ±0.1 2-PLG ± 3-PLG ± 4-PLG ± ANGLES ±		G.SKIPPER 21APR05	
		APVD G.SKIPPER 21APR05		NAME	
MATERIAL SEE SHEET 1		FINISH SEE SHEET 1		PRODUCT SPEC 108-19082	
		APPLICATION SPEC 114-19029		MALE ASSEMBLY, Z-PACK 2mm HM, TYPE A	
		WEIGHT -		SIZE CAGE CODE DRAWING NO A1 00779 C=5106388	
		CUSTOMER DRAWING		RESTRICTED TO -	
		SCALE 4:1		SHEET 2 OF 2 REV B	

单击下面可查看定价，库存，交付和生命周期等信息

[>>TE Connectivity\(泰科\)](#)